



Filter / Condensate trap Precipitation of condensable vapors



71.035



71.036

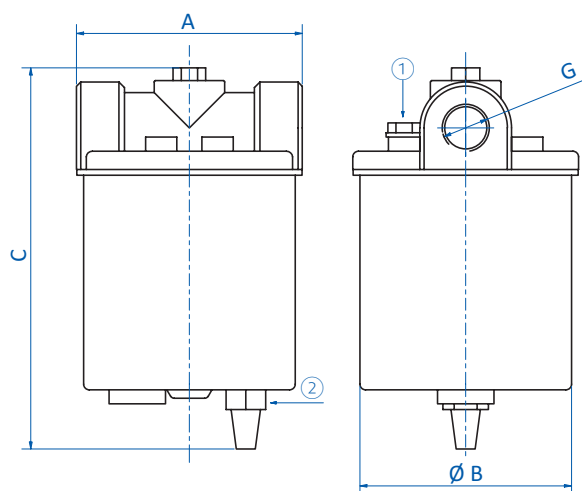
Product notes

- > Efficient and reliable separation of water droplets out of vacuum systems
- > Easy installation after vacuum pumps or ejectors
- > Housing made of transparent plastics for filtration monitoring
- > Drainage valve at the bottom to discharge the collected condensate
- > Filter needs to be ventilated before opening

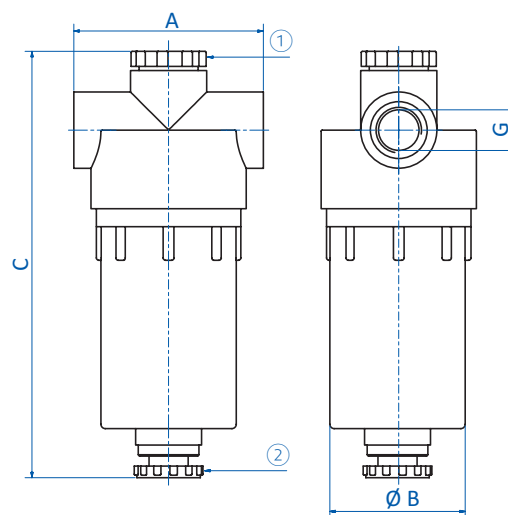
Technical data

Item no.	Max. volume flow [m³/h]	Max. filling capacity [cm³]	Grade of filtration [µm]	Filter material	Max. input pressure [bar (psi)]	Max. operating temperature [°C (°F)]	Weight [kg]	Suitable spare cartridges
71.035	10.6	30	100	Stainless steel mesh	0.5 (7.3)	50 (122)	0.6	71.035-Kartusche
71.036	17.7	25	50	Polyethylene - sintered	0.5 (7.3)	50 (122)	0.8	71.036-Kartusche
71.037	21.2	40	30	Synthetic felt	0.5 (7.3)	50 (122)	1.7	71.037-Kartusche
71.038	35.3	50	30	Synthetic felt	0.5 (7.3)	50 (122)	5	71.038-Kartusche
71.039	58.9	100	30	Synthetic felt	0.5 (7.3)	50 (122)	9.3	71.039-Kartusche

Dimensions



71.035



71.036 | 71.037 | 71.038 | 71.039

① = Bleeding screw ② = Blow-off screw

Item no.	G	A [mm]	Ø B [mm]	C [mm]
71.035	R3/8	80	75	135
71.036	R1/2	87	60	196
71.037	R3/4	125	100	255
71.038	R1	175	150	370
71.039	R1 1/2	220	190	450