



Reflective sensors – compact



Installation example with angle arm and rotatable mounting bracket GR06.045S

Product notes

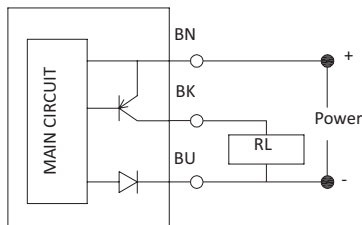
- > Sensors for optical presence monitoring of workpiece
- > Long scanning range at small foot print
- > Adjustable sensitivity
- > LED-display
- > Lightweight body
- > Any mounting position
- > Mounting bracket GR06.045S for angle variable installation on extrusions optionally available
- > Connector cable for sensors:
 - 20.503: 3-pole M8, length 2,500 mm, open wire
 - 20.507: 3-pole M8, length 2,000 mm, end with socket 3-Pole M8 available

Technical data

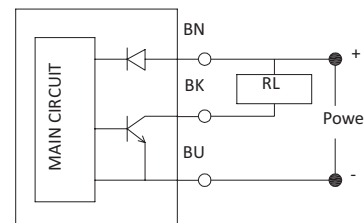
Item no.	LT10	LT10/NPN
Adjustable range [mm]	0 - 600	0 - 600
Sensor	PNP	NPN
Operating voltage [V]	10 - 30	10 - 30
Current consumption [mA]	< 25	< 25
Max. switching current [mA]	100	100
Protection class	IP67	IP67
Background suppression	no	no
Ambient air temperature [°C (°F)]	-25 - 60 (-13 - 140)	-25 - 60 (-13 - 140)
Weight [g]	19	19
Accessories	Mounting bracket: GR06.045S Connector cable: 20.503 Connector cable: 20.507	Mounting bracket: GR06.045S Connector cable: 20.503 Connector cable: 20.507

Wiring diagrams

LT10



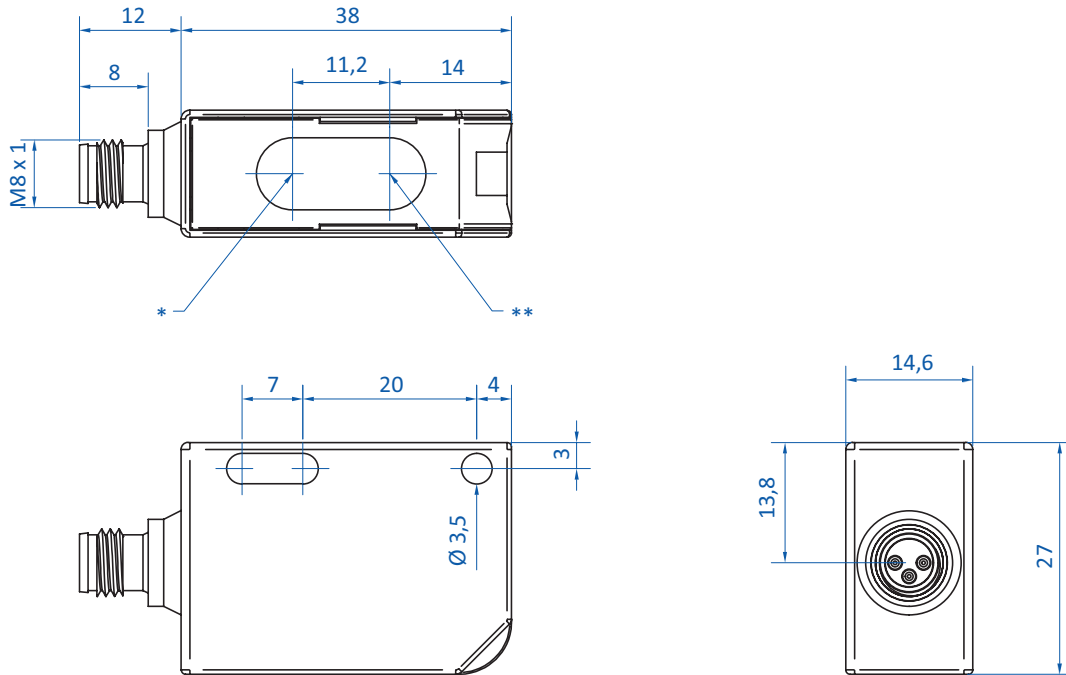
LT10/NPN



BN = Brown, BK = Black, BU = Blue



Dimensions



* = Opt. axis transmitter ** = Opt. axis receiver