



Reflective sensors M18

LT19 DETECTS EVEN TRANSPARENT PLASTIC PARTS



LT19



LT18OHT (light sensor with background suppression, fixing nuts not displayed)

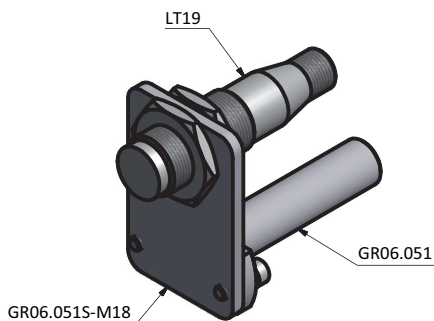
Product notes

- > Sensors for optical presence monitoring of workpiece
- > Light or dark switching with LED-display
- > With or without background suppression
- > Adjustable sensitivity
- > Robust aluminum body
- > Any mounting position
- > Two fixing nuts, tightening torque 20 Nm, included in scope of delivery

Technical data

Item no.	LT19	LT19/NPN	LT18OHT	LT18OHT/NPN
Adjustable range [mm]	70 - 400	70 - 400	70 - 400	70 - 400
Sensor	PNP	NPN	PNP	NPN
Operating voltage [V]	6 - 30	6 - 30	10 - 36	10 - 36
Current consumption [mA]	< 30	< 30	< 25	< 25
Max. switching current [mA]	100	100	200	200
Protection class	IP67	IP67	IP67	IP67
Switching point principle	light/dark	light/dark	light	light
Background suppression	no	no	yes	yes
Ambient air temperature [°C (°F)]	-25 - 55 (-13 - 131)	-25 - 55 (-13 - 131)	-25 - 55 (-13 - 131)	-25 - 55 (-13 - 131)
Weight [g]	39	39	45	45
Suitable fittings	GR06.051 GR06.051S-M18	GR06.051 GR06.051S-M18	GR06.051 GR06.051S-M18	GR06.051 GR06.051S-M18

Application example

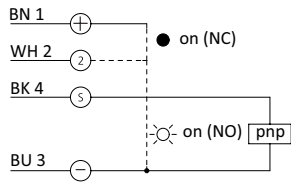


Sensor with mounting bracket

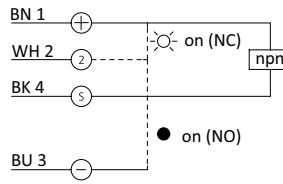


Wiring diagrams

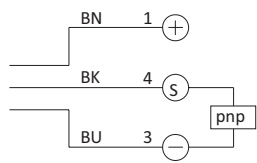
LT19



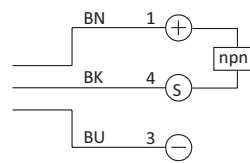
LT19/NPN



LT18OHT

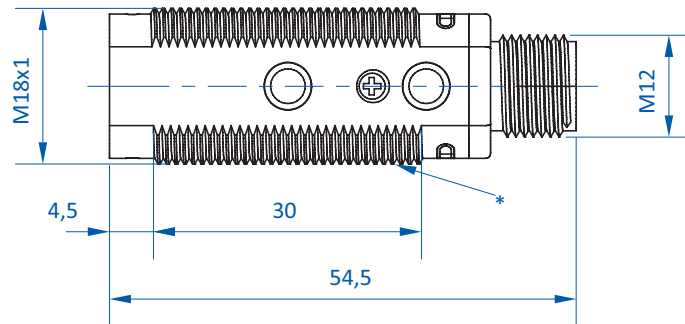


LT18OHT/NPN

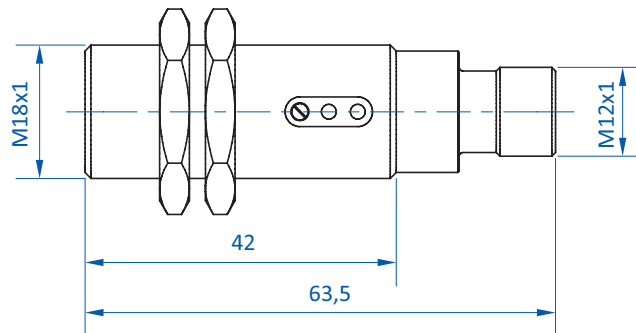


BN = Brown, WH = White, BK = Black, BU = Blue

Dimensions



LT19 | LT19/NPN



LT18OHT | LT18OHT/NPN

* = Fixing nuts not shown