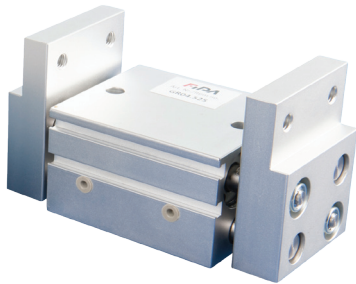




## Parallel grippers for large strokes – piston diameter 25 - 32 mm



### Product notes

- > Grippers for large strokes for handling large parts
- > Double-acting for inside/outside gripping and short duty cycles
- > Body and jaws made of high-strength aluminum alloy
- > Sensors for monitoring gripper action via piston position optionally available
- > Medium: filtered and oiled/unoiled air
- > PNP and NPN sensors:
  - C-slot (straight) for sensors: GR04.198, GR04.198/NPN
  - C-slot (90° angle) for sensors: GR04.202P, GR04.202N
  - C-slot (straight, short design) for sensors: GR04.280P, GR04.280N

### Technical data

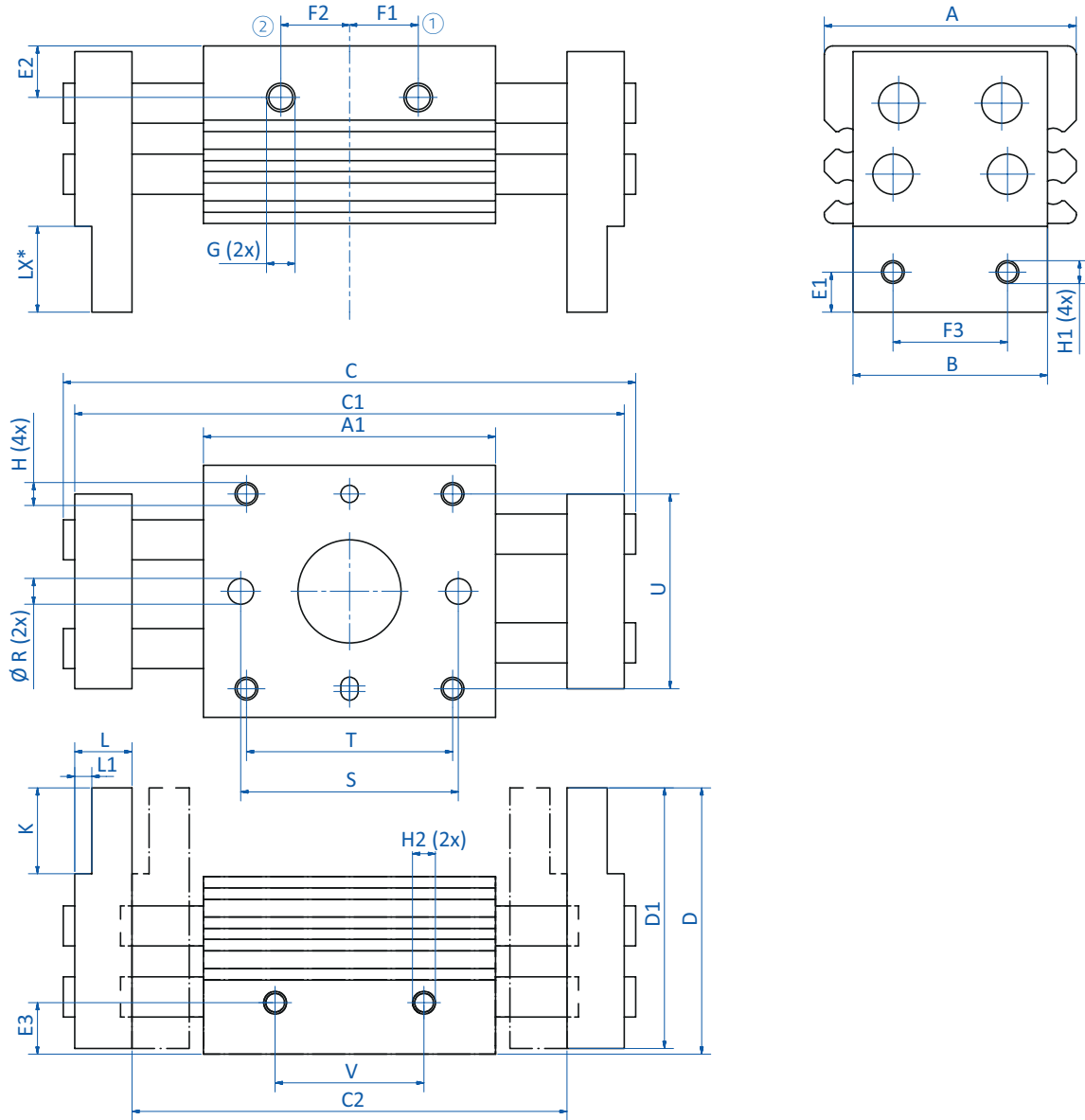
Item no.	GR04.525	GR04.525-1	GR04.525-2	GR04.532	GR04.532-1	GR04.532-2
Operating pressure [bar (psi)]	1 - 6 (14.5 - 87)	1 - 6 (14.5 - 87)	1 - 6 (14.5 - 87)	1 - 6 (14.5 - 87)	1 - 6 (14.5 - 87)	1 - 6 (14.5 - 87)
Piston diameter [mm]	25	25	25	32	32	32
Stroke per gripper jaw [mm]	25	50	60	35	60	80
Closing force at 6 bar (87 psi) [N]	160	160	160	300	300	300
Operating temperature [°C (°F)]	-5 - 70 (23 - 158)	-5 - 70 (23 - 158)	-5 - 70 (23 - 158)	-5 - 70 (23 - 158)	-5 - 70 (23 - 158)	-5 - 70 (23 - 158)
Weight [g]	1,700	2,500	2,800	2,900	3,800	4,700
Suitable sensors	GR04.198 GR04.198/NPN GR04.202P GR04.202N GR04.280P GR04.280N	GR04.198 GR04.198/NPN GR04.202P GR04.202N GR04.280P GR04.280N	GR04.198 GR04.198/NPN GR04.202P GR04.202N GR04.280P GR04.280N	GR04.198 GR04.198/NPN GR04.202P GR04.202N GR04.280P GR04.280N	GR04.198 GR04.198/NPN GR04.202P GR04.202N GR04.280P GR04.280N	GR04.198 GR04.198/NPN GR04.202P GR04.202N GR04.280P GR04.280N



# Grippers | Parallel grippers

Parallel grippers for large strokes – piston diameter 25 - 32 mm

## Dimensions



\* = LX: Distance gripper jaws – workpiece ① = Compressed air supply (open) ② = Compressed air supply (close)

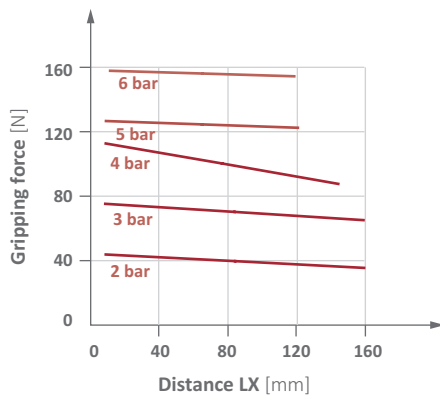
Item no.	GR04.525	GR04.525-1	GR04.525-2	GR04.532	GR04.532-1	GR04.532-2
A [mm]	76	76	76	82	82	82
A1 [mm]	88	142	160	110	158	202
B [mm]	64	64	64	70	70	70
C [mm]	196	328	366	272	370	454
C1 [mm]	192	324	362	268	366	450
C2 [mm]	142	224	242	198	246	290
D [mm]	81	81	81	100	100	100
D1 [mm]	80	80	80	99	99	99
E1 [mm]	12	12	12	15	15	15
E2 [mm]	16	16	16	16	16	16
E3 [mm]	12.5	12.5	12.5	22	22	22
F1 [mm]	19	43	52	28	52	74



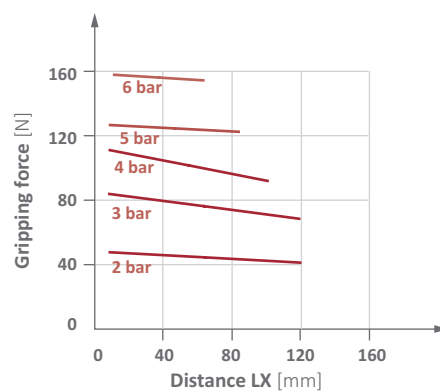
Item no.	GR04.525	GR04.525-1	GR04.525-2	GR04.532	GR04.532-1	GR04.532-2
F2 [mm]	19	43	52	28	52	74
F3 [mm]	40	40	40	50	50	50
G	M5	M5	M5	Rc 1/8	Rc 1/8	Rc 1/8
H	M8	M8	M8	M8	M8	M8
H1	M8	M8	M8	M10	M10	M10
H2	M8	M8	M8	M8	M8	M8
K [mm]	29	29	29	32	32	32
L [mm]	21	21	21	24	24	24
L1 [mm]	7	7	7	9	9	9
Ø R [mm]	9	9	9	--	--	--
S [mm]	66	120	138	--	--	--
T [mm]	70	124	142	86	134	178
U [mm]	62	62	62	64	64	64
V [mm]	48	102	120	60	108	152

### Diagrams

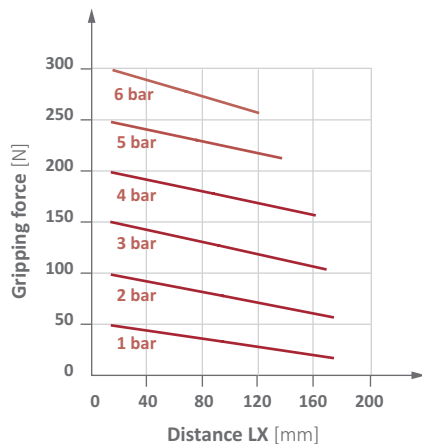
> Gripping force piston diameter 25 mm – standard version



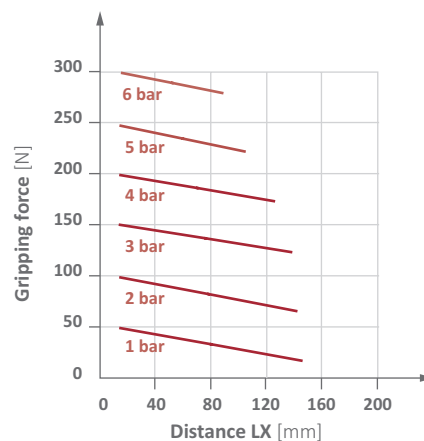
> Gripping force piston diameter 25 mm – versions 1 & 2



> Gripping force piston diameter 32 mm – standard version



> Gripping force piston diameter 32 mm – versions 1 & 2



\* = LX distance to gripping point