



Series | Oval vacuum cups SO

Oval bell shaped vacuum cups for for dynamic handling of strongly curved metal sheets – SM-OG

Oval bell shaped vacuum cups for for dynamic handling of strongly curved metal sheets – SM-OG



ESPECIALLY FOR STRONGLY CURVED SURFACES



Product notes

Flexible, oval NBR bell shaped cup, 60° Shore A with vulcanized fitting made of aluminum for best adaptation to strongly curved metal sheets. Large area "anti-slip" cleats, various connection threads available. PWIS-conform to guideline VDMA 24364 test category A1.

Advantage

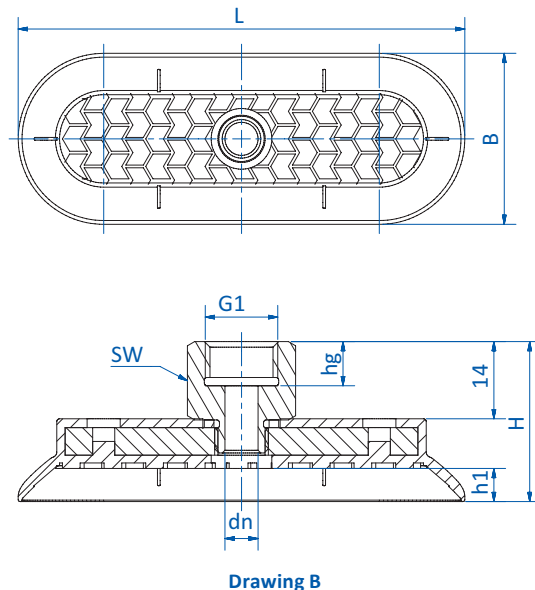
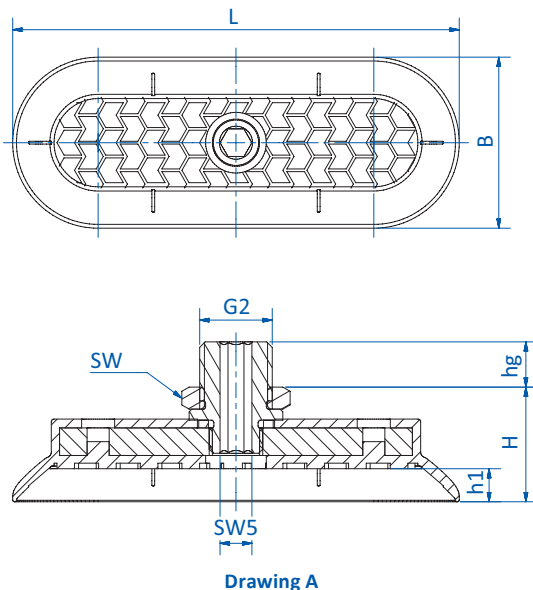
- > Reliable, non-slip handling of oily sheets due to "anti-slip" cleats. Good absorption of lateral forces.
- > Ideally suited for use in constricted spaces
- > Supports help to prevent deep-drawing or deformation of thin sheets
- > Leak-free suction even with strongly curved surfaces due to very flexible sealing lip
- > Vulcanized connection thread ensures a secure fit

Technical data

Model / Lip dimensions	Thread (Aluminum)				Volume [cm ³]	Gripping force* [N]	
	G1/4-male	G1/4-female	G3/8-female	Rectangular adapter			
SM-OG-60x20	130.60x20.197.1	130.60x20.192.1	130.60x20.200.1	130.60x20.203.1	4,97	60	5
SM-OG-80x30	130.80x30.198.1	130.80x30.194.1	130.80x30.201.1	130.80x30.204.1	10,22	118	6
SM-OG-95x40	130.95x40.199.1	130.95x40.196.1	130.95x40.202.1	130.95x40.205.1	15,81	172	6

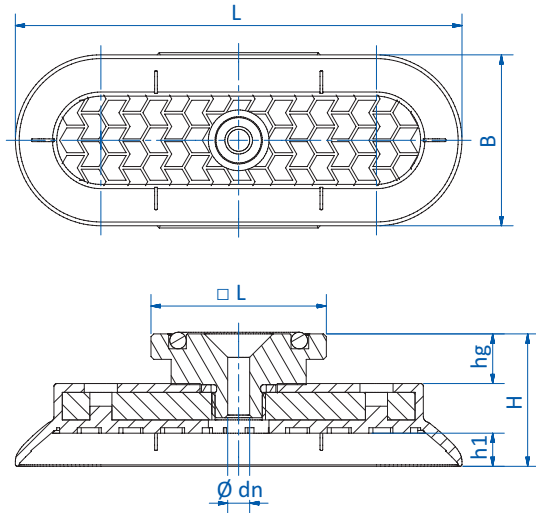
* The gripping force specifications are theoretical guide values on dry, smooth and even workpiece surfaces at 60 % vacuum – they do not include a safety factor

Dimensions





Dimensions



Drawing C

Item no.	Drawing	Ø dn [mm]	G1 (female)	G2 (male)	□L [mm]	L [mm]	B [mm]	H [mm]	h1 [mm]	hg [mm]	SW
130.60x20.197.*	A	5	--	G1/4	--	61.5	21	28	5	8	17
130.60x20.192.*	B	6	G1/4	--	--	61.5	21	28	5	8	17
130.60x20.200.*	B	6	G3/8	--	--	61.5	21	28	5	8	22
130.60x20.203.*	C	4	--	--	31.8	61.5	21	23	5	--	--
130.80x30.198.*	A	5	--	G1/4	--	81	31	29	6	8	17
130.80x30.194.*	B	6	G1/4	--	--	81	31	29	6	8	17
130.80x30.201.*	B	6	G3/8	--	--	81	31	29	6	8	22
130.80x30.204.*	C	4	--	--	31.8	81	31	24	6	--	--
130.95x40.199.*	A	5	--	G1/4	--	95.5	40.5	29	6	8	17
130.95x40.196.*	B	6	G1/4	--	--	95.5	40.5	29	6	8	17
130.95x40.202.*	B	6	G3/8	--	--	95.5	40.5	29	6	8	22
130.95x40.205.*	C	4	--	--	31.8	95.5	40.5	27	6	--	--