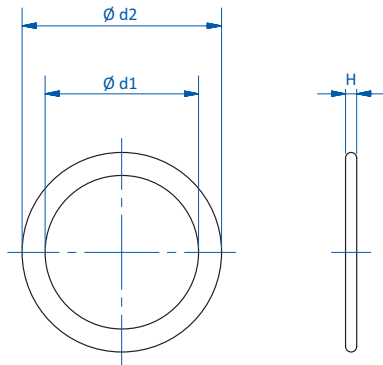


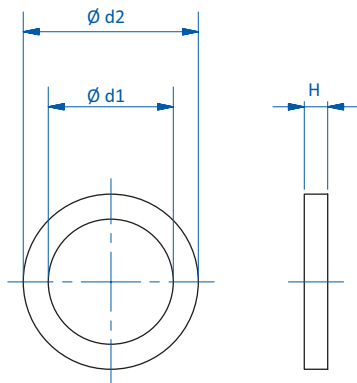


Reinforcement rings – SZ-STAB
For stabilizing bellows vacuum cups



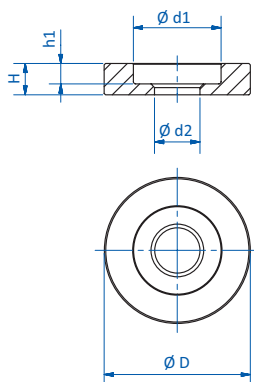
Technical data		Dimensions		
Item no.	Material	H [mm]	Ø d1 [mm]	Ø d2 [mm]
78.000	PA6	1	13.5	17.5
78.001	PA6	1.1	22	26.5
78.002	PA6	1.2	30	35.5
78.003	PA6	1.5	36	45.5

Retaining rings – SZ-HR



Technical data		Dimensions		
Item no.	Material	H [mm]	Ø d1 [mm]	Ø d2 [mm]
78.011	TPU	1.9	9.7	14
78.012	TPU	2.5	13	20
78.013	TPU	3.2	19	26

Adapter plates – SZ-ASC



Technical data		Dimensions				
Item no.	Material	H [mm]	h1 [mm]	Ø D [mm]	Ø d1 [mm]	Ø d2 [mm]
78.080	Aluminum	5	3.5	15	11	6.2
78.081	Aluminum	4.3	2.8	20	12	6.2
78.082	Aluminum	7	4	28	23	10.2