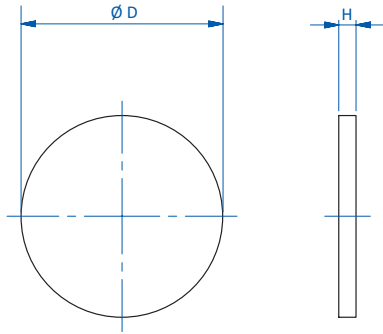




# Vacuum cups accessories | Filter discs

## Filter discs – SZ-FI

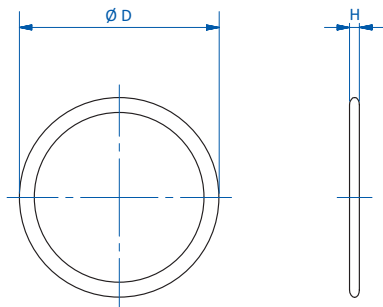
For insertion into vacuum cup fold



Technical data			Dimensions	
Item no.	Material	Usage temperature [°C (°F)]	H [mm]	Ø D [mm]
78.200	HDPE white	-40 - 80 (-40 - 176)	1.5	17.5
78.201	HDPE white	-40 - 80 (-40 - 176)	1.5	28
78.202	HDPE white	-40 - 80 (-40 - 176)	1.5	38.5
78.203	HDPE white	-40 - 80 (-40 - 176)	1.5	48
78.204	HDPE white	-40 - 80 (-40 - 176)	1.5	70.5
78.206	HDPE white	-40 - 80 (-40 - 176)	1.5	147

## Filter discs – SZ-FIN

For insertion into vacuum cup fold



Technical data			Dimensions	
Item no.	Material	Usage temperature [°C (°F)]	H [mm]	Ø D [mm]
78.214	Nylon canvas / TPE	-40 - 50 (-40 - 122)	1	20
78.215	Nylon canvas / TPE	-40 - 50 (-40 - 122)	1.6	26
78.216	Nylon canvas / TPE	-40 - 50 (-40 - 122)	3	40
78.217	Nylon canvas / TPE	-40 - 50 (-40 - 122)	3	58