





Series | Bellows vacuum cups SB

Bellows vacuum cups with 1.5 and 4.5 folds, modular – SP-B

Bellows vacuum cups with 1.5 and 4.5 folds, modular – SP-B



Product description	Advantage
Bellows vacuum cups with a short or long stroke. Version: Replacement sealing lip for attachment to fitting	<ul style="list-style-type: none"> > High suction force > Fast cycle times possible > Very resistant to wear (Tepuflex®) > Compatible with established products from other vendors

Technical data						Accessories		
Item no.	Model / Lip dimensions	Number of folds	Material / Colour	Usage temperature [°C (°F)]	Filter disc:	Retaining ring:	Stiffening ring:	
 Bellows vacuum cups, 1.5 folds								
23.005.178._*	SP-B1-5	2	1.5	SI (r), SI-LE (r), CR (sw)	0 - 0 (32 - 32)	--	--	--
23.008.166._*	SP-B1-8	3.5	1.5	SI (r), SI-LE (r), CR (sw)	--	--	--	--
23.011.007._*	SP-B1-10	5	1.5	SI (tr), CR (sw)	--	--	--	--
23.016.015._*	SP-B1-15	7	1.5	SI (tr), CR (sw)	--	--	--	--
23.020.026._*	SP-B1-20	9	1.5	Tepuflex® (or), SI (tr), SI-LE (tr), CR (sw)	78.200	78.011	--	
23.030.037._*	SP-B1-30	9	1.5	Tepuflex® (or), SI (tr), SI-LE (tr), CR (sw)	78.201	78.011	--	
23.040.045._*	SP-B1-40	9	1.5	Tepuflex® (or), SI (tr), CR (sw)	78.202	78.012	--	
23.050.054._*	SP-B1-50	12	1.5	Tepuflex® (or), SI (tr), SI-LE (tr), CR (sw)	78.203	78.013	--	
23.078.065._*	SP-B1-75	22	1.5	Tepuflex® (or), SI (tr), SI-LE (tr), CR (sw)	--	--	--	
23.117.069._*	SP-B1-110	29	1.5	Tepuflex® (or), SI (tr), SI-LE (tr), CR (sw)	--	--	--	
23.160.072._*	SP-B1-150	41	1.5	Tepuflex® (or), SI (tr), SI-LE (tr), CR (sw)	--	--	--	
 Bellows vacuum cups, 4.5 folds								
25.020.025._*	SP-B4-20	16	4.5	SI (tr), SI-LE (tr), CR (sw)	--	78.011	78.000	
25.030.026._*	SP-B4-30	21	4.5	SI (tr), SI-LE (tr), CR (sw)	--	78.012	78.001	
25.040.027._*	SP-B4-40	20	4.5	SI (tr), SI-LE (tr), CR (sw)	--	78.012	78.002	
25.050.028._*	SP-B4-50	25	4.5	SI (tr), SI-LE (tr), CR (sw)	--	78.013	78.003	

* When ordering please add the appropriate material code to item no. You will find it on www.fipa.com.



Accessories

Item no.	Suitable fittings									
	M5-male	M5-female	M6-male	G1/8-male	G1/8-female	G1/4-male	G3/8-male	G3/8-female	G1/2-female	G3/4-female
Bellows vacuum cups, 1.5 folds										
23.005.178.*	270.153	--	--	--	--	--	--	--	--	--
23.008.166.*	270.153	--	--	--	--	--	--	--	--	--
23.011.007.*	270.134	--	270.104	--	--	--	--	--	--	--
23.016.015.*	270.134	--	270.104	--	--	--	--	--	--	--
23.020.026.*	--	270.500-S	--	270.250, 270.503-S	--	--	--	--	--	--
23.030.037.*	--	270.500-S	--	270.250, 270.503-S	--	--	--	--	--	--
23.040.045.*	--	--	--	--	270.251, 270.501-S	270.506-S	270.505-S	--	--	--
23.050.054.*	--	--	--	--	270.252, 270.502-S	270.504-S	270.507-S	--	--	--
23.078.065.*	--	--	--	--	270.527-S	--	--	270.528-S	270.529-S	--
23.117.069.*	--	--	--	--	--	--	--	270.530-S	270.531-S	--
23.160.072.*	--	--	--	--	--	--	--	--	270.532-S	270.533-S
Bellows vacuum cups, 4.5 folds										
25.020.025.*	--	270.500-S	--	270.250, 270.503-S	--	--	--	--	--	--
25.030.026.*	--	--	--	--	270.251, 270.501-S	270.506-S	270.505-S	--	--	--
25.040.027.*	--	--	--	--	270.251, 270.501-S	270.506-S	270.505-S	--	--	--
25.050.028.*	--	--	--	--	270.252, 270.502-S	270.504-S	270.507-S	--	--	--

Bestellhinweis:

Erläuterung zur Endung des Zubehör-Halters:
> S mit Sieb

* When ordering please add the appropriate material code to item no. You will find it on www.fipa.com.

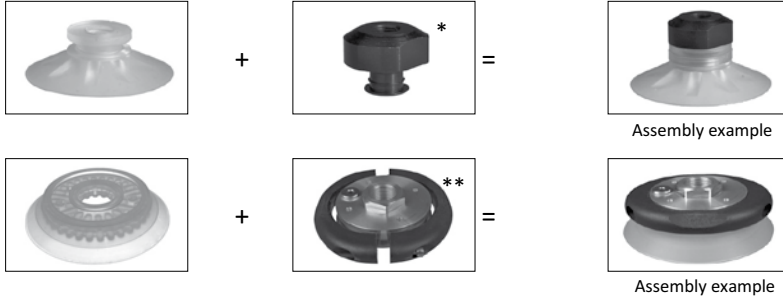


Series | Bellows vacuum cups SB

Bellows vacuum cups with 1.5 and 4.5 folds, modular – SP-B

Bellows vacuum cups – modular

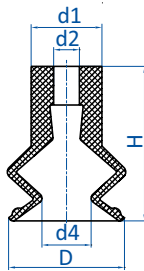
Example:



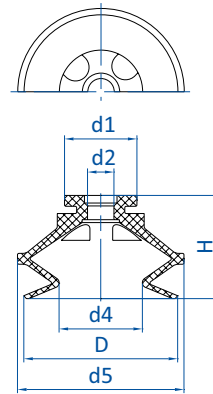
- * Fittings are optionally available with and without filter screen
- ** Fittings come fitted with filter screen as standard

- > The modular series allows you to assemble your own vacuum cups
- > Worn sealing lips can be replaced quickly, cost-effective and easily
- > High flexibility thanks to a large selection of fitting threads

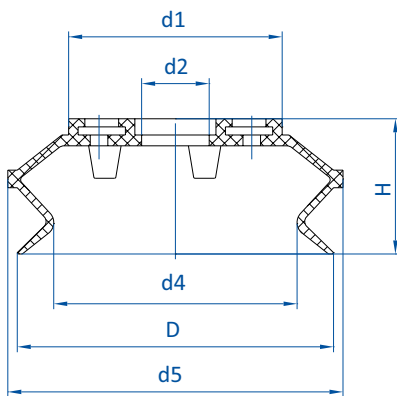
Dimensions



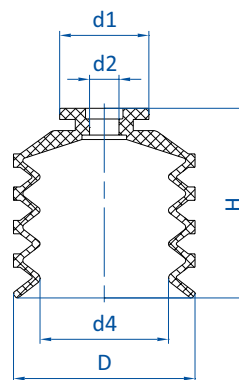
Drawing A



Drawing B



Drawing C



Drawing D

* When ordering please add the appropriate material code to item no. You will find it on www.fipa.com.

Series | Bellows vacuum cups SB

Bellows vacuum cups with 1.5 and 4.5 folds, modular – SP-B



Item no.	Drawing	Ø D [mm]	Ø d1 [mm]	Ø d2 [mm]	Ø d4 [mm]	Ø d5 [mm]	H [mm]
Bellows vacuum cups, 1.5 folds							
23.005.178._*	A	6	4.5	2	2.2	--	9
23.008.166._*	A	9	5.5	2	3.8	--	12
23.011.007._*	A	11	9	3.9	5.5	--	17
23.016.015._*	A	16	9	3.9	8	--	19
23.020.026._*	B	21	14.5	5.5	11	24	19.5
23.030.037._*	B	33	15	5.5	18.5	37	28
23.040.045._*	B	43	20	7.5	23	46	29
23.050.054._*	B	53	26	10.5	32	58	35
23.078.065._*	C	81	55	10	59	84	37
23.117.069._*	C	117	79	25	90	124	50
23.160.072._*	C	160	110	24	112	166	67
Bellows vacuum cups, 4.5 folds							
25.020.025._*	D	20	14.5	5	14	--	23
25.030.026._*	D	31	20	6.5	22	--	32
25.040.027._*	D	41	20	6.5	29	--	43
25.050.028._*	D	51	27	10.5	37	--	53

* When ordering please add the appropriate material code to item no. You will find it on www.fipa.com.






Series | Bellows vacuum cups SB

Bellows vacuum cups, 1.5 and 4.5 bellows, with fully assembled fitting – SP-B

Bellows vacuum cups, 1.5 and 4.5 bellows, with fully assembled fitting – SP-B



Product description	Advantage
Bellows vacuum cups with a short or long stroke. Version: Complete with vacuum cup fitting and filter screen.	<ul style="list-style-type: none"> > High suction force > Fast cycle times possible > Very resistant to wear (Tepuflex®) > Compatible with established products from other vendors

Technical data						Accessories		
Item no.	Model / Lip dimensions	Connection thread	 Number of folds	Material / Colour	Filter disc:	Spare vacuum cup:	Stiffening ring:	
								
Complete vacuum cups, 1.5 folds with fitting & filter screen								
22.020.020._*	SP-B1-20	G1/8-male, M5-female	9	1.5	Tepuflex® (or), SI (tr), CR (sw)	78.200	23.020.026._*	--
22.030.033._*	SP-B1-30	G1/8-male, M5-female	9	1.5	Tepuflex® (or), SI (tr), CR (sw)	78.201	23.030.037._*	--
22.040.045._*	SP-B1-40	G1/8-female	9	1.5	Tepuflex® (or), SI (tr), CR (sw)	78.202	23.040.045._*	--
22.050.056._*	SP-B1-50	G1/8-female	12	1.5	Tepuflex® (or), SI (tr), CR (sw)	78.203	23.050.054._*	--
22.078.163._*	SP-B1-75	G1/8-female	22	1.5	Tepuflex® (or), SI (tr), CR (sw)	--	23.078.065._*	--
22.078.166._*	SP-B1-75	G3/8-female	22	1.5	Tepuflex® (or), SI (tr), CR (sw)	--	23.078.065._*	--
22.078.169._*	SP-B1-75	G1/2-female	22	1.5	Tepuflex® (or), SI (tr), CR (sw)	--	23.078.065._*	--
22.117.164._*	SP-B1-110	G3/8-female	29	1.5	Tepuflex® (or), SI (tr), CR (sw)	--	23.117.069._*	--
22.117.167._*	SP-B1-110	G1/2-female	29	1.5	Tepuflex® (or), SI (tr), CR (sw)	--	23.117.069._*	--
22.160.165._*	SP-B1-150	G1/2-female	41	1.5	Tepuflex® (or), SI (tr), CR (sw)	--	23.160.072._*	--
22.160.168._*	SP-B1-150	G3/4-female	41	1.5	Tepuflex® (or), SI (tr), CR (sw)	--	23.160.072._*	--
								
Complete vacuum cups, 4.5 folds with fitting & filter screen								
24.020.033._*	SP-B4-20	G1/8-male, M5-female	16	4.5	SI (tr), CR (sw)	--	25.020.025._*	78.000
24.030.039._*	SP-B4-30	G1/8-female	21	4.5	SI (tr), CR (sw)	--	25.030.026._*	78.001
24.040.074._*	SP-B4-40	G1/8-female	20	4.5	SI (tr), CR (sw)	--	25.040.027._*	78.002
24.050.087._*	SP-B4-50	G1/8-female	30	4.5	SI (tr), CR (sw)	--	25.050.028._*	78.003

* When ordering please add the appropriate material code to item no. You will find it on www.fipa.com.



Bellows vacuum cups with fully assembled fitting

Example:

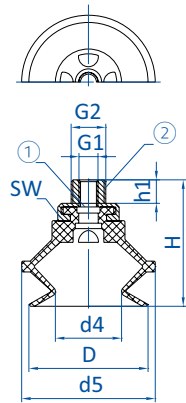


or

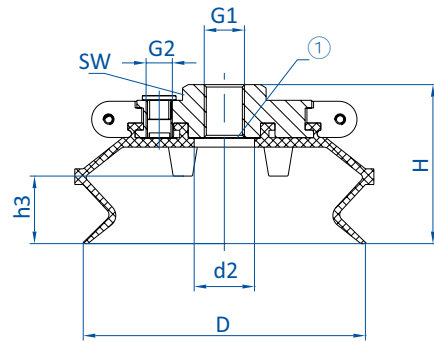


- > High process reliability thanks to permanently installed fitting
- > Worn sealing lips can be replaced if necessary

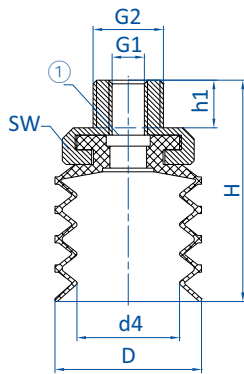
Dimensions



Drawing A



Drawing B



Drawing C

① = Filter screen ② = Aluminum

* When ordering please add the appropriate material code to item no. You will find it on www.fipa.com.



Series | Bellows vacuum cups SB

Bellows vacuum cups, 1.5 and 4.5 bellows, with fully assembled fitting – SP-B

Item no.	Drawing	∅ D [mm]	∅ d2 [mm]	∅ d4 [mm]	∅ d5 [mm]	G1	G2	H [mm]	h1 [mm]	h3 [mm]	SW
Complete vacuum cups, 1.5 folds with fitting & filter screen											
22.020.020.*	A	21	--	11	24	M5	G1/8	27	6.5	--	17
22.030.033.*	A	33	--	18.5	37	M5	G1/8	35	6.5	--	17
22.040.045.*	A	43	--	23	46	G1/8	--	35	--	--	12
22.050.056.*	A	53	--	32	58	G1/8	--	42	--	--	12
22.078.163.*	B	81	10	--	--	G1/8	--	50	--	21.6	28
22.078.166.*	B	81	10	--	--	G3/8	--	50	--	21.6	28
22.078.169.*	B	81	10	--	--	G1/2	--	50	--	21.6	28
22.117.164.*	B	117	25	--	--	G3/8	G1/8	66	--	28	30
22.117.167.*	B	117	25	--	--	G1/2	G1/8	66	--	28	30
22.160.165.*	B	160	24	--	--	G1/2	G1/8	81.5	--	42	38
22.160.168.*	B	160	24	--	--	G3/4	G1/8	81.5	--	42	38
Complete vacuum cups, 4.5 folds with fitting & filter screen											
24.020.033.*	C	20	--	14	--	M5	G1/8	30	6.5	--	17
24.030.039.*	C	31	--	22	--	G1/8	--	40	--	--	12
24.040.074.*	C	41	--	29	--	G1/8	--	51	--	--	12
24.050.087.*	C	51	--	37	--	G1/8	--	61	--	--	12

* When ordering please add the appropriate material code to item no. You will find it on www.fipa.com.