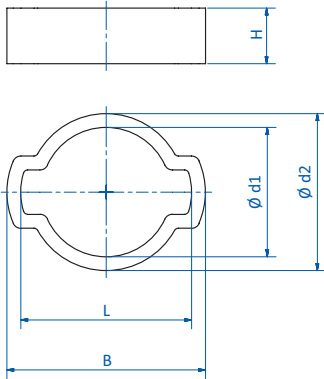




Gripper clamps – SZ-KS



Technical data

Item no.	Ø range [mm]	Material
78.030	7 - 9	Steel galvanized
78.031	9 - 11	Steel galvanized
78.032	11 - 13	Steel galvanized
78.033	15 - 18	Steel galvanized
78.034	17 - 20	Steel galvanized

Dimensions

B [mm]	L [mm]	H [mm]	Ø d1 [mm]	Ø d2 [mm]
14.3	12.3	4	9.3	11.3
16.2	14.2	3	11.3	13.3
19	17	4	13.3	15.3
25.3	22.9	4	18.3	20.7
27.1	24.7	4	20.3	22.7