



Series | Flat vacuum cups SF

Universal flat vacuum cups – SFU-A

Universal flat vacuum cups – SFU-A



Product description

Very shallow cup with single-lip seal for handling various products with smooth or rough surfaces.
Connection up to Ø 50 mm by means of plug-in nipple, from Ø 60 mm with vulcanized carrier plate (bolttable).


Advantage

- > Great stability allows high acceleration
- > Fast cycle times are possible, due to the cup's low volume
- > Cost-effective replacement of worn seals

Ordering notes:

Ø 1 mm to Ø 3 mm: PU = 10 pieces

Technical data

Item no.	Model / Lip dimensions		Material / Colour	Connection thread
102.001.002.*	SFU-A -1,5	0.3	NBR (sw), SI (tr)	--
102.002.004.*	SFU-A-2	0.4	NBR (sw), SI (tr), SI-LE (tr), PU (bl)	--
102.003.005.*	SFU-A -3	0.5	NBR (sw), SI (tr), SI-LE (tr), PU (bl), FKM (sw)	--
102.005.009.*	SFU-A -5	0.9	NBR (sw), SI (tr), SI-LE (tr), FKM (sw)	--
102.006.013.*	SFU-A -6	1	NBR (sw), SI (tr), PU (bl), FKM (sw)	--
102.008.017.*	SFU-A -8	1.4	NBR (sw), SI (tr), PU (bl), FKM (sw)	--
102.010.024.*	SFU-A -10	1.2	NBR (sw), SI (tr), SI-LE (tr), PU (bl)	--
102.015.030.*	SFU-A-15	2	NBR (sw), SI (tr), SI-LE (tr), PU (bl)	--
102.015.309.*	SFU-A-15A	1.9	NBR (sw), SI (tr), SI-LE (tr), PU (bl)	--
102.020.041.*	SFU-A -20	2	NBR (sw), SI (tr), SI-LE (tr), PU (bl)	--
102.025.047.*	SFU-A -25	2.5	NBR (sw), SI (tr), SI-LE (tr), PU (bl)	--
102.030.053.*	SFU-A -30	2	NBR (sw), SI (tr), SI-LE (tr), PU (bl)	--
102.035.056.*	SFU-A -35	3	NBR (sw), SI (tr), SI-LE (tr)	--
102.040.061.*	SFU-A -40	3.5	NBR (sw), SI (tr), SI-LE (tr), PU (bl)	--
102.050.065.*	SFU-A -50	4	NBR (sw), SI (tr), SI-LE (tr), PU (bl)	--
102.060.303.*	SFU-A -60	5	NBR (sw), SI (tr), SI-LE (tr), PU (bl)	G1/4-female
102.080.304.*	SFU-A -80	6	NBR (sw), SI (tr), SI-LE (tr), PU (bl)	G1/4-female
102.095.305.*	SFU-A -95	6	NBR (sw), SI (tr), SI-LE (tr), PU (bl)	G1/4-female
154.120.018.*	SFU-A -120	7	NBR (sw), SI (tr), SI-LE (tr)	--
154.150.020.*	SFU-A -150	9	NBR (sw), SI (tr), SI-LE (tr)	--
154.191.025.*	SFU-A -200	13	NBR (sw), SI (tr), SI-LE (tr), PU (bl)	--

* When ordering please add the appropriate material code to item no. You will find it on www.fipa.com.



Accessories

Item no.	Suitable fittings										Suitable suspensions (Snap-In)	
	M3-male	M5-male	M5-female	M6-male	M10x1.25-female	G1/8-male	G1/8-female	G1/4-male	G1/4-female	G1/2-female	Suspensions:	
102.001.002.*	270.011	--	--	--	--	--	--	--	--	--	--	--
102.002.004.*	270.014	270.300	--	--	--	--	--	--	--	--	--	--
102.003.005.*	270.014	270.300	--	--	--	--	--	--	--	--	--	--
102.005.009.*	--	270.010	270.005	--	--	270.009	270.007	--	--	--	50.330	10
102.006.013.*	--	270.010	270.005	--	--	270.009	270.007	--	--	--	50.330	10
102.008.017.*	--	270.010	270.005	--	--	270.009	270.007	--	--	--	50.330	10
102.010.024.*	--	270.010	270.005	--	--	270.009	270.007	--	--	--	50.330	10
102.015.030.*	--	270.200	--	--	--	270.064 (p.418)	270.065	--	--	--	--	--
102.015.309.*	--	270.010	270.005	--	--	270.009	270.007	--	--	--	50.330	10
102.020.041.*	--	270.311	--	--	--	270.063	270.061	--	--	--	--	--
102.025.047.*	--	--	--	270.312/19	--	270.030	270.019	270.274	270.275	--	--	--
102.030.053.*	--	--	--	270.312/19	--	270.030	270.019	270.274	270.275	--	--	--
102.035.056.*	--	--	--	270.312/19	--	270.030	270.019	270.274	270.275	--	--	--
102.040.061.*	--	--	--	270.312/19	--	270.030	270.019	270.274	270.275	--	--	--
102.050.065.*	--	--	--	--	--	270.490	270.489	270.491	270.492	--	--	--
102.060.303.*	--	--	--	--	270.090	--	--	270.120	--	--	--	--
102.080.304.*	--	--	--	--	270.090	--	--	270.120	--	--	--	--
102.095.305.*	--	--	--	--	270.090	--	--	270.120	--	--	--	--
154.120.018.*	--	--	--	--	--	--	--	--	--	270.056	--	--
154.150.020.*	--	--	--	--	--	--	--	--	--	270.056	--	--
154.191.025.*	--	--	--	--	--	--	--	--	--	270.056	--	--

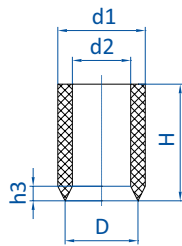
* When ordering please add the appropriate material code to item no. You will find it on www.fipa.com.



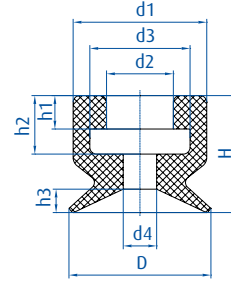
Series | Flat vacuum cups SF

Universal flat vacuum cups – SFU-A

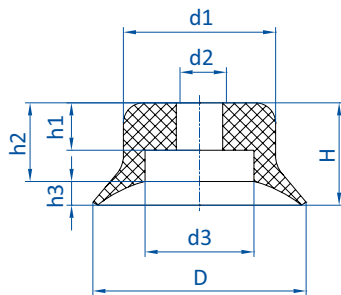
Dimensions



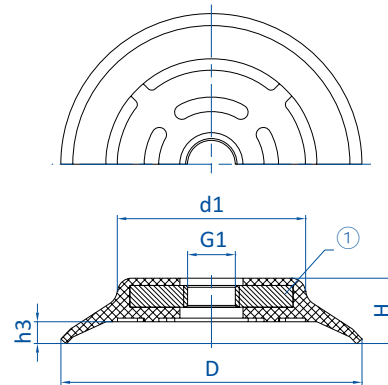
Drawing A



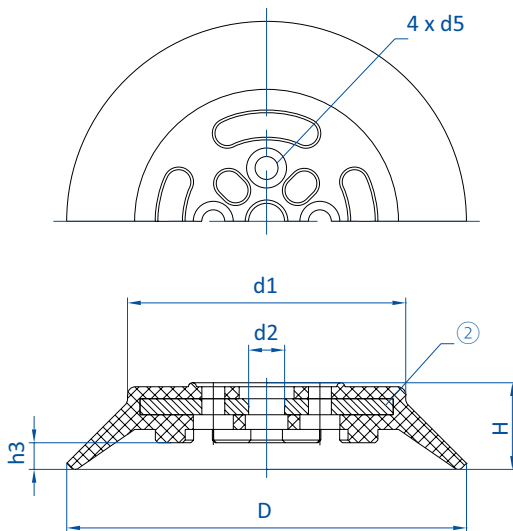
Drawing B



Drawing C



Drawing D



Drawing E

① = Aluminum ② = Steel

* When ordering please add the appropriate material code to item no. You will find it on www.fipa.com.



Item no.	Drawing	Ø D [mm]	Ø d1 [mm]	Ø d2 [mm]	H [mm]	h3 [mm]
102.001.002._*	A	1.5	1.8	1.2	2.5	0.3
102.002.004._*	B	2.5	4	2	4	0.5
102.003.005._*	B	4	4	2	4	0.5
102.005.009._*	B	5	7.5	3.8	6.5	0.8
102.006.013._*	B	6.5	7.5	4	7	1
102.008.017._*	B	8.5	8	4	7	1.4
102.010.024._*	B	11	8.5	4	7.5	1.4
102.015.030._*	C	15	12	4.5	8	2.1
102.015.309._*	B	15.5	9	3.8	8	2
102.020.041._*	C	21	15	4.6	10	2.4
102.025.047._*	C	25	16	6	14	3
102.030.053._*	C	30	14	6	12	2
102.035.056._*	C	36	21	6	14	2.8
102.040.061._*	C	42	24	6	14	2.8
102.050.065._*	C	50	27	8	15	3.5
102.060.303._*	D	62	38	--	16	4.8
102.080.304._*	D	83	52	--	18	6
102.095.305._*	D	95	66	--	18	5.5
154.120.018._*	E	117	90	14	26	9
154.150.020._*	E	150	104	13.5	33	10
154.191.025._*	E	193	142	13	40	15.5

* When ordering please add the appropriate material code to item no. You will find it on www.fipa.com.