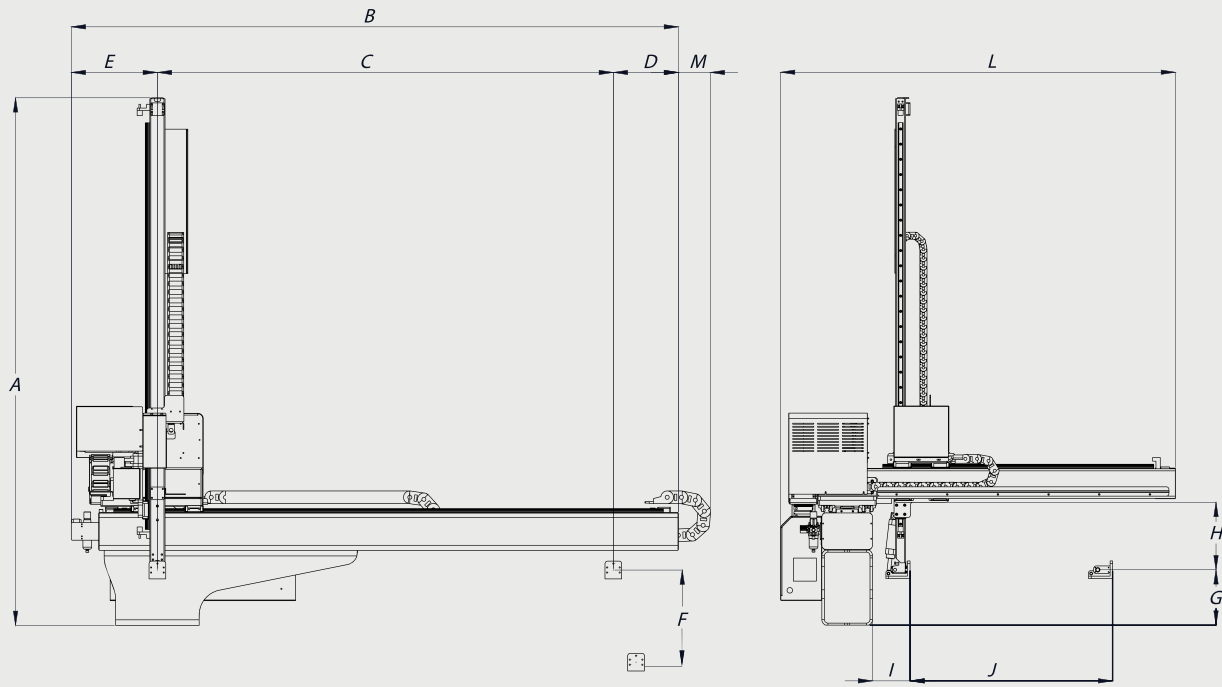




## FUNDAMENTAL MECHANICAL SPECIFICATIONS

Model	Axis Strokes (mm)			Injection Clamping Force Range (Ton)	Driving Method	Lineer Position Repeatability (mm)	C Axis Posture ↘ 90°		Net Weight (kg)
	Vertical	Crosswise	Traverse				Maximum Payload (kg)	C Axis Posture Torque (Nm)	Main Body
eMW1200	1200	800	1800	300 - 660	AC Servo Motor	±0.1	(*) 12	25	310

(\*) Weight of Robotic Hand is Included.



## ► DIMENSIONS (mm)

<b>A</b>	Height	<b>2085</b>
<b>B</b>	Length	<b>2400</b>
<b>C</b>	Traverse Axis Stroke	<b>1800</b>
<b>D</b>	Traverse Axis Stroke Excluded Distance (Product Place Region)	<b>260</b>
<b>E</b>	Traverse Axis Stroke Excluded Distance (Product Pick Up Region)	<b>340</b>
<b>F</b>	Vertical Axis Stroke	<b>1200</b>
<b>M</b>	Traverse Axis Cable Carrier Overflow	<b>130</b>

<b>G</b>	Vertical Wait	<b>215</b>
<b>H</b>	Gripper Assembly Position under Crosswise Axis	<b>265</b>
<b>I</b>	Minimum Crosswise Wait	<b>150</b>
<b>J</b>	Maximum Crosswise Stroke	<b>800</b>
<b>I+J</b>	Maximum Crosswise Reach	<b>950</b>
<b>L</b>	Width	<b>1560</b>

Power Supply	Maximum Power (kW)	Air Pressure (Bar)	Air Consumption (NI/Cycle)
Three-phase AC 380V ± %10 (50Hz/60 Hz)	1.6	4 - 6	4.5

(\*2) Need for Pressurized Air Purified (Dried) from Oil and Humidity Exists.

## ► GENERAL FEATURES

- Vacuum Line
- Blow Line
- Sprue Gripper Line
- Product Pickup from Fixed and Moving Platens
- Selection of Operator / Non-operator Working Direction
- Vacuum Level Adjustment on the Control Panel
- Product Sorting and Stacking
- Product Sorting in Matrix Form
- Soft Sorting / Separation
- Y Axis Free
- Eco Mode (Automatic Energy Saving Cycle Feature)
- Product Extraction from Core in the Mold
- Sprue Separation
- Sample Separation
- Crosswise J (Pass) Motion
- Defective Product Separation (Machine Feature Compatibility Support)
- Message Support on the Control Panel
- IMM Door Open Permission during Pause
- Pause during Operation
- C Axis Rotation Control
- 90° Soft Stop
- Connection Adapter between Robot and Injection Machine
- Mode Operation Function Control
- Extra Mold Safety Sensor (Optional)
- Overload Protection
- Conveyor Control
- Multi Language Support
- Operation Record Feature
- Alarm Record Feature
- USB Memory Connection
- Memory of upto 50 Molds
- Ejector Control
- Euromap 12/67 Robot Interface
- Economic Vacuum Feature (Optional)