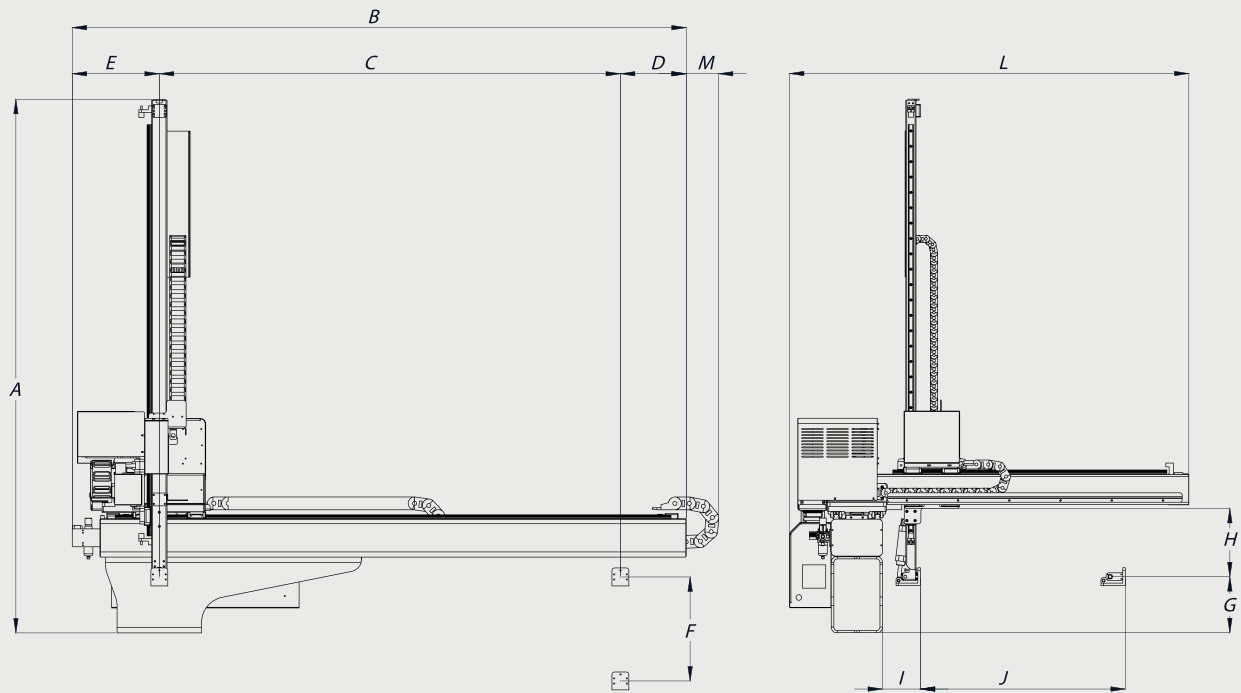




## FUNDAMENTAL MECHANICAL SPECIFICATIONS

Model	Axis Strokes (mm)			Injection Clamping Force Range (Ton)	Driving Method	Linear Position Repeatability (mm)	C Axis Posture ↘ 90°		Net Weight (kg)
	Vertical	Crosswise	Traverse				Maximum Payload (kg)	C Axis Posture Torque (Nm)	Main Body
eMW800	800	450	1200	50 - 150	AC Servo Motor	±0.1	(*) 3	25	260

(\*) Weight of Robotic Hand is Included.



## ► DIMENSIONS (mm)

<b>A</b>	Height	<b>1685</b>	<b>G</b>	Vertical Wait	<b>215</b>
<b>B</b>	Length	<b>1800</b>	<b>H</b>	Gripper Assembly Position under Crosswise Axis	<b>265</b>
<b>C</b>	Traverse Axis Stroke	<b>1200</b>	<b>I</b>	Minimum Crosswise Wait	<b>150</b>
<b>D</b>	Traverse Axis Stroke Excluded Distance (Product Place Region)	<b>260</b>	<b>J</b>	Maximum Crosswise Stroke	<b>450</b>
<b>E</b>	Traverse Axis Stroke Excluded Distance (Product Pick Up Region)	<b>340</b>	<b>I+J</b>	Maximum Crosswise Reach	<b>600</b>
<b>F</b>	Vertical Axis Stroke	<b>800</b>	<b>L</b>	Width	<b>1210</b>
<b>M</b>	Traverse Axis Cable Carrier Overflow	<b>130</b>			

Power Supply	Maximum Power (kW)	Air Pressure (Bar)	Air Consumption (NI/Cycle)
Three-phase AC 380V ± %10 (50Hz/60 Hz)	1.3	4 - 6 (*2)	2.5

(\*2) Need for Pressurized Air Purified (Dried) from Oil and Humidity Exists.

## ► GENERAL FEATURES

<ul style="list-style-type: none"> <li>• Vacuum Line</li> <li>• Blow Line</li> <li>• Sprue Gripper Line</li> <li>• Product Pickup from Fixed and Moving Platens</li> <li>• Selection of Operator / Non-operator Working Direction</li> <li>• Vacuum Level Adjustment on the Control Panel</li> <li>• Product Sorting and Stacking</li> <li>• Product Sorting in Matrix Form</li> <li>• Soft Sorting / Separation</li> </ul>	<ul style="list-style-type: none"> <li>• Y Axis Free</li> <li>• Eco Mode (Automatic Energy Saving Cycle Feature)</li> <li>• Product Extraction from Core in the Mold</li> <li>• Sprue Separation</li> <li>• Sample Separation</li> <li>• Crosswise J (Pass) Motion</li> <li>• Defective Product Separation (Machine Feature Compatibility Support)</li> <li>• Message Support on the Control Panel</li> <li>• IMM Door Open Permission during Pause</li> </ul>	<ul style="list-style-type: none"> <li>• Pause during Operation</li> <li>• C Axis Rotation Control</li> <li>• 90° Soft Stop</li> <li>• Connection Adapter between Robot and Injection Machine</li> <li>• Mode Operation Function Control</li> <li>• Extra Mold Safety Sensor (Optional)</li> <li>• Overload Protection</li> <li>• Conveyor Control</li> </ul>	<ul style="list-style-type: none"> <li>• Multi Language Support</li> <li>• Operation Record Feature</li> <li>• Alarm Record Feature</li> <li>• USB Memory Connection</li> <li>• Memory of upto 50 Molds</li> <li>• Ejector Control</li> <li>• Euromap 12/67 Robot Interface</li> <li>• Economic Vacuum Feature (Optional)</li> </ul>
---	--	---	--