



### Filter cartridge for Filter FB and FC



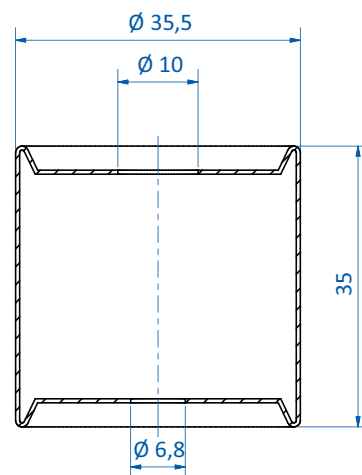
#### Product notes

> Spare cartridge for air filters

#### Technical data

Item no.	Suitable for filter	Filter material	Max. particle size [ $\mu\text{m}$ ]	Pressure range [bar (psi)]	Max. volume flow [ $\text{m}^3/\text{h}$ ]	Weight [g]
<b>FB 5-Kartusche</b>	FB 5	Stainless steel	60	-1 - 2 (-14.5 - 29)	5	13
<b>FB 10-Kartusche</b>	FB 10	Stainless steel	60	-1 - 2 (-14.5 - 29)	10	41
<b>FB 20-KARTUSCHE</b>	FB 20	Stainless steel	60	-1 - 2 (-14.5 - 29)	20	80
<b>FB 25/30-KARTUSCHE</b>	FB 25, FB 30	Stainless steel	60	-1 - 4 (-14.5 - 58)	70	141
<b>FB 40-Kartusche</b>	FB 40, FB 50, FB 60	Stainless steel	60	-1 - 4 (-14.5 - 58)	150	317
<b>FB 60-Kartusche</b>	FB 40, FB 50, FB 60	Stainless steel	60	-1 - 0 (-14.5 - 0)	300	317
<b>FC 10F-Kartusche</b>	FC 10F	Paper	5	-1 - 0 (-14.5 - 0)	25	59
<b>FC 20/25-Kartusche</b>	FC 20, FC 25	Paper	5	-1 - 0 (-14.5 - 0)	50	798
<b>FC 30F/35F-Kartusche</b>	FC 30, FC 35	Paper	5	-1 - 0 (-14.5 - 0)	110	159
<b>FC 40F-Kartusche</b>	FC 40F	Paper	5	-1 - 0 (-14.5 - 0)	150	351
<b>FC 50F-Kartusche</b>	FC 50F	Paper	5	-1 - 0 (-14.5 - 0)	200	570
<b>FC 60F-Kartusche</b>	FC 60F	Paper	5	-1 - 0 (-14.5 - 0)	320	865

#### Dimensions



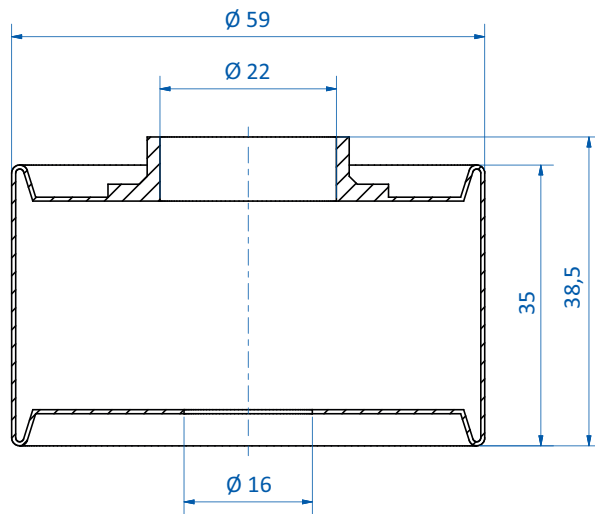
FB 5-Kartusche



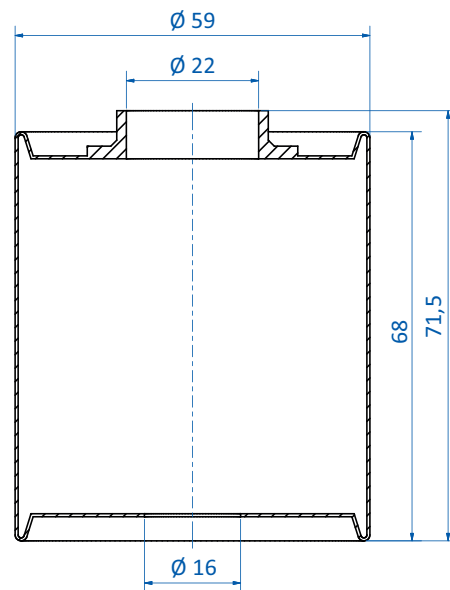
## Vacuum filters | Accessories

Filter cartridge for Filter FB and FC

### Dimensions



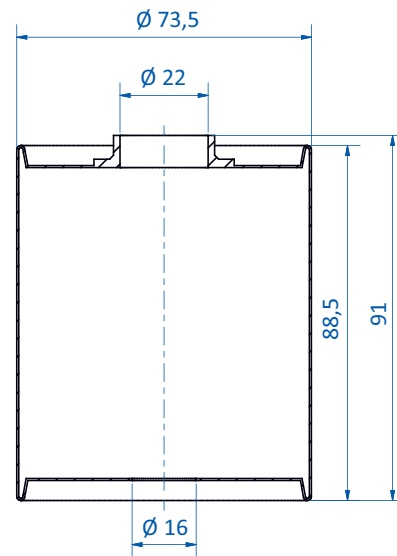
FB 10-Kartusche



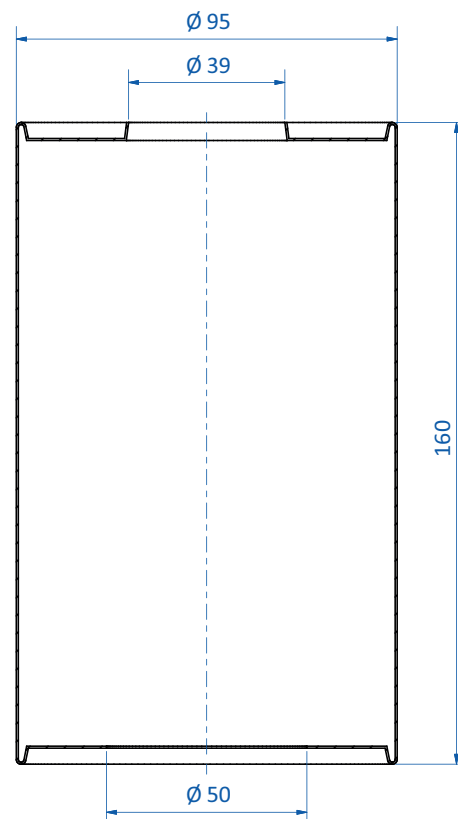
FB 20-KARTUSCHE



## Dimensions



FB 25/30-KARTUSCHE



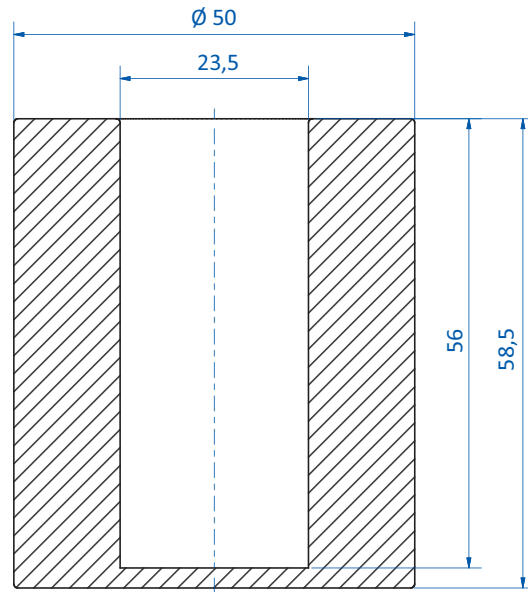
FB 40-Kartusche | FB 60-Kartusche



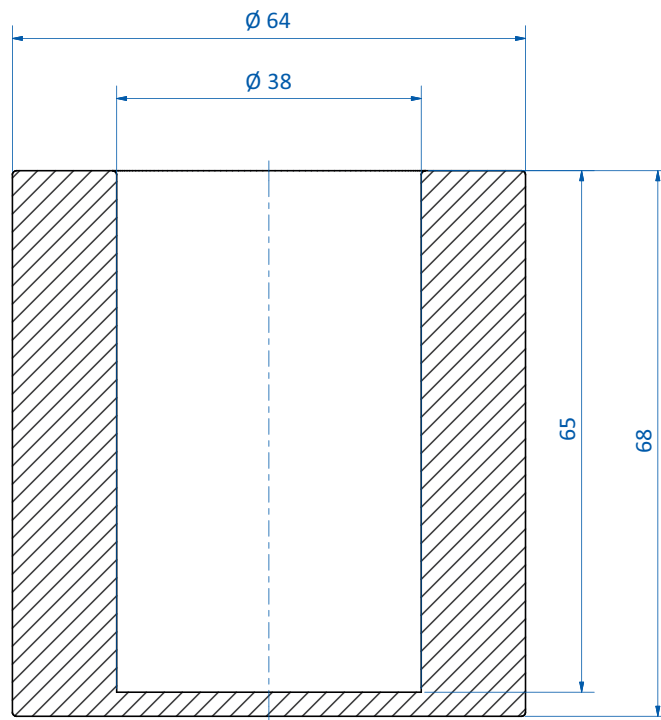
## Vacuum filters | Accessories

Filter cartridge for Filter FB and FC

### Dimensions



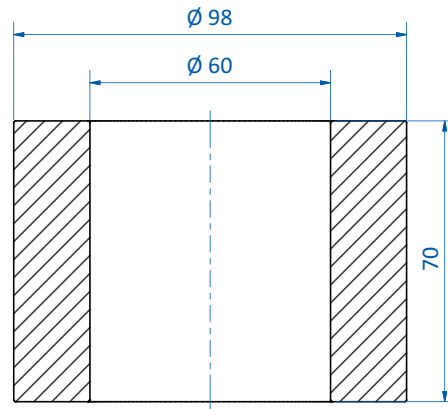
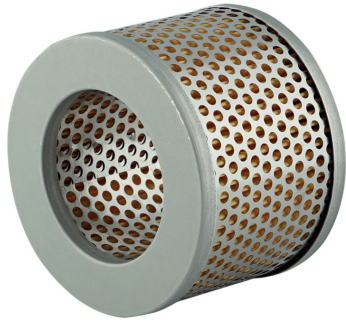
FC 10F-Kartusche



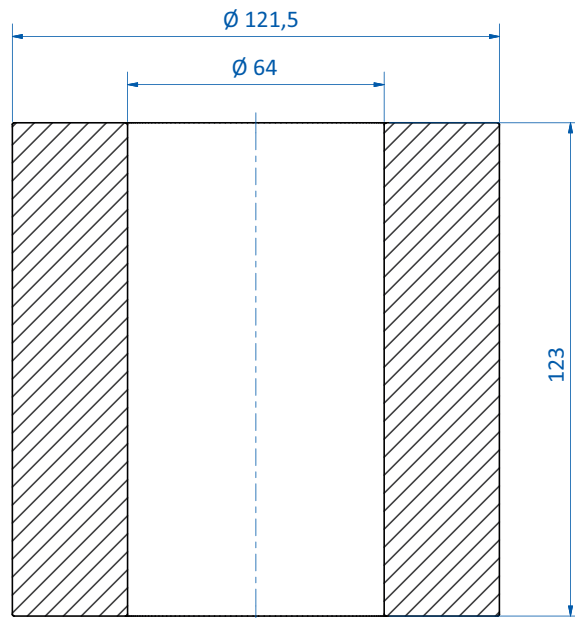
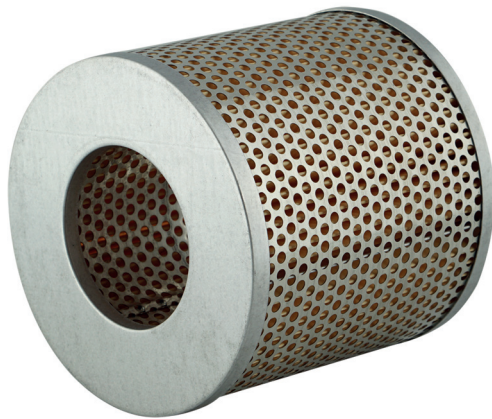
FC 20/25-Kartusche



Dimensions



FC 30F/35F-Kartusche



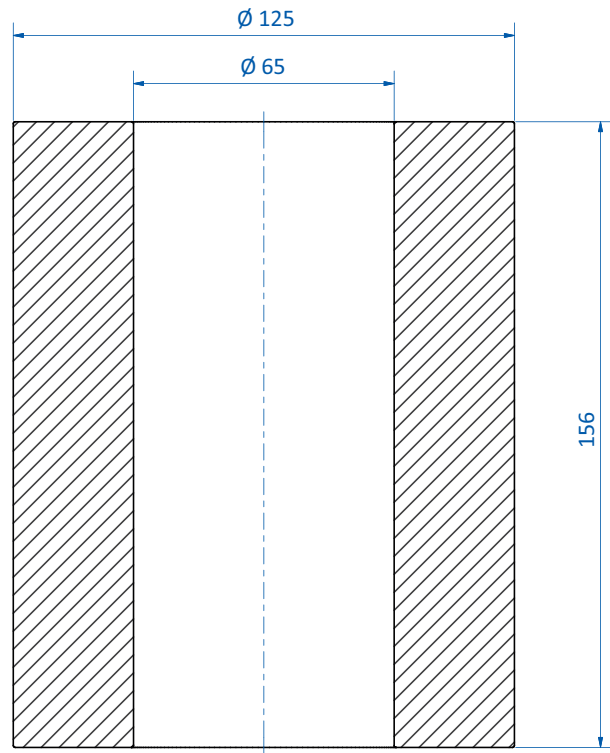
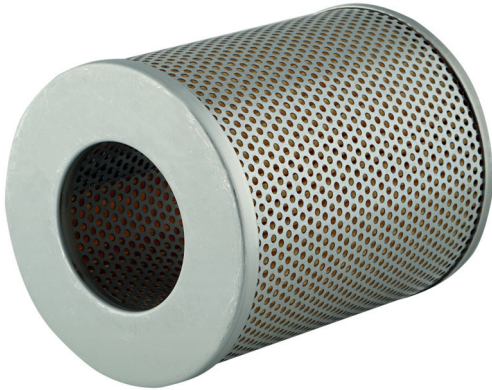
FC 40F-Kartusche



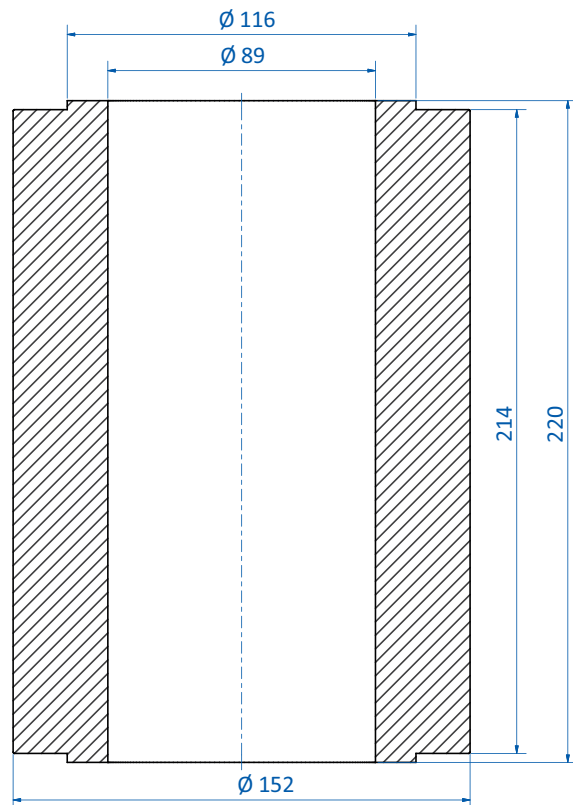
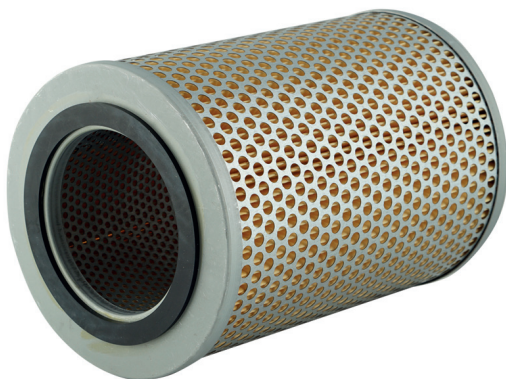
## Vacuum filters | Accessories

Filter cartridge for Filter FB and FC

### Dimensions



FC 50F-Kartusche



FC 60F-Kartusche