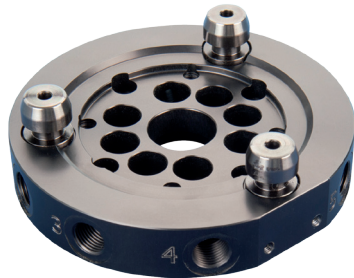




Round quick-changers \varnothing 90 mm, 8 air inlets – gripper side



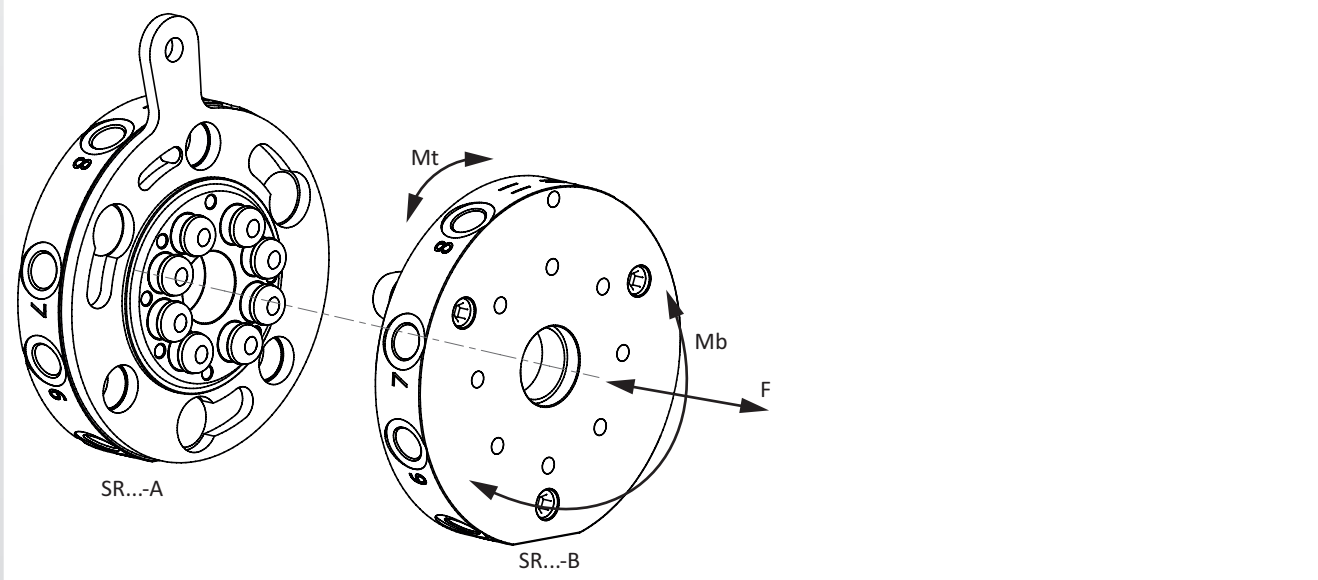
Product notes

- > Manual interface between robot and gripper system
- > Air connections always correctly aligned
- > Body made of anodized aluminum alloy

Technical data

Item no.	SR90-B-2
Number of pneumatic connections	8xG1/8
Working pressure [bar (psi)]	0 - 6 (0 - 87)
Max. axial force F [N]	400
Max. torque Mt [Nm]	100
Max. torque Mb [Nm]	60
Max. recommended handling weight [kg]	20
Weight [g]	220
Suitable electrical connectors	20.536

Lifting force / torque

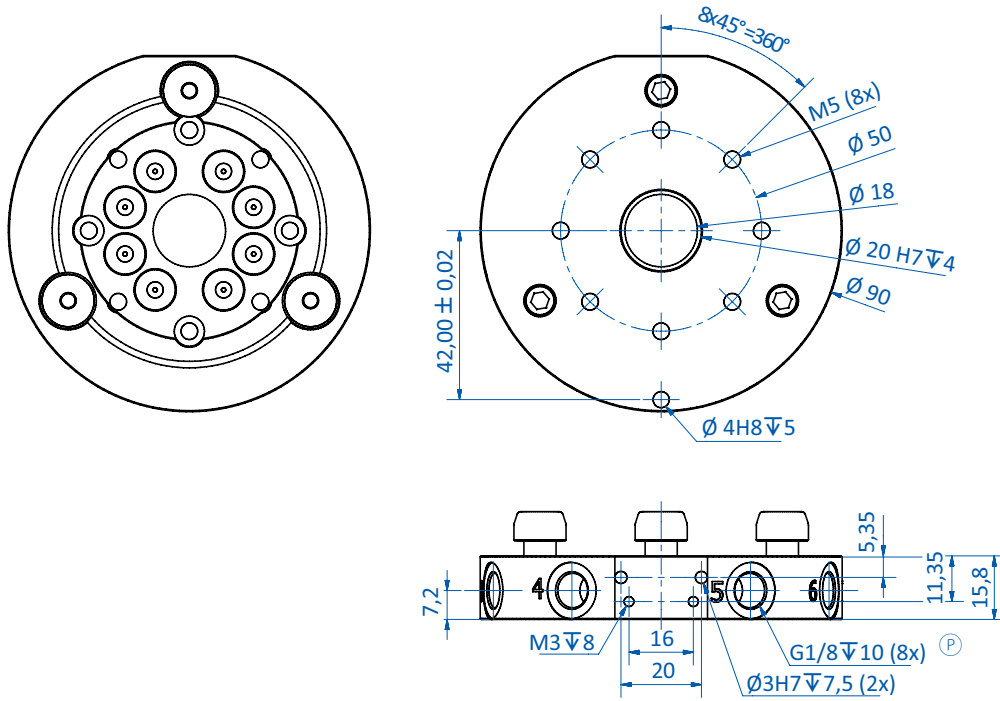




Quick-change systems | SR Series

Round quick-changers \varnothing 90 mm, 8 air inlets – gripper side

Dimensions



\textcircled{P} = Pneumatic connection