



## Round quick-changers $\varnothing$ 90 mm, 8 air inlets – robot side



SR90-A-SL-2 with locking indication SAFE-LOCK

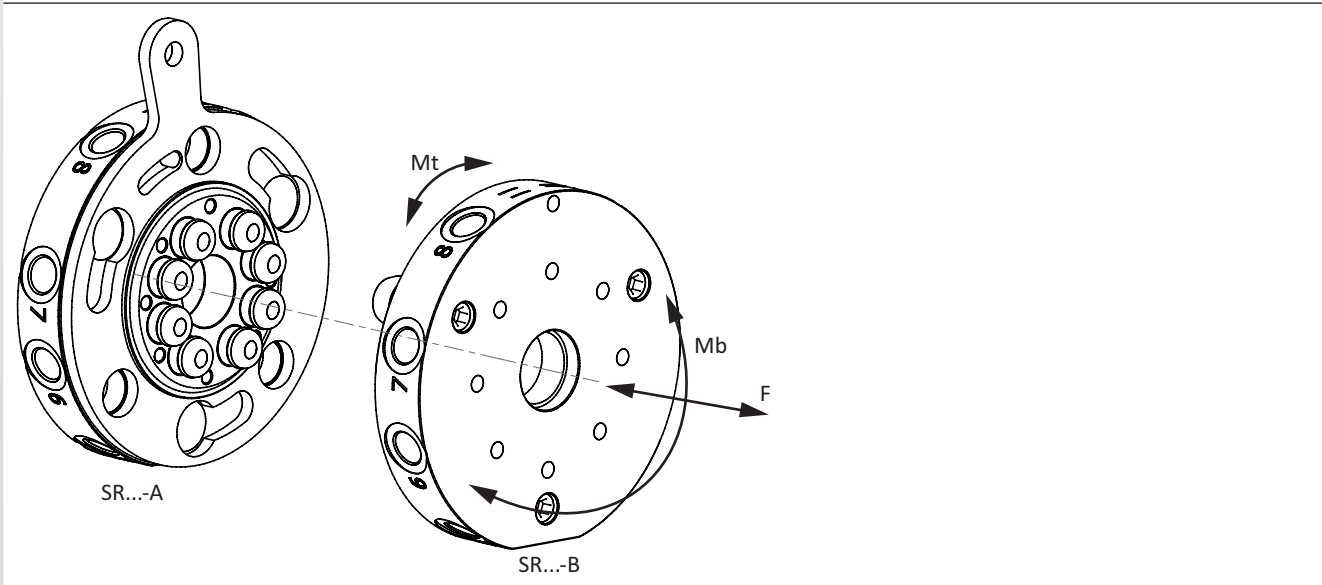
### Product notes

- > Manual interface between robot and gripper system
- > Air connections always correctly aligned
- > Body made of anodized aluminum alloy
- > Model MV comes with micro valves for automatic air or vacuum lock off during decoupling
- > Model SL with secure SAFE-LOCK ensures maximum functional reliability and optical locking indication (red/green)

### Technical data

Item no.	SR90-A-2	SR90-A-MV-2	SR90-A-SL-2	SR90-A-SL-MV-2
Number of pneumatic connections	8xG1/8	8xG1/8	8xG1/8	8xG1/8
Working pressure [bar (psi)]	0 - 6 (0 - 87)	0 - 6 (0 - 87)	0 - 6 (0 - 87)	0 - 6 (0 - 87)
Micro valves	without	integrated	without	integrated
Snap-on	without	without	SAFE-LOCK for secure locking	SAFE-LOCK for secure locking
Max. axial force F [N]	400	400	400	400
Max. torque Mt [Nm]	100	100	100	100
Max. torque Mb [Nm]	60	60	60	60
Max. recommended handling weight [kg]	20	20	20	20
Weight [g]	313	329	331	343
Suitable electrical connectors	20.535	20.535	20.535	20.535

### Lifting force / torque

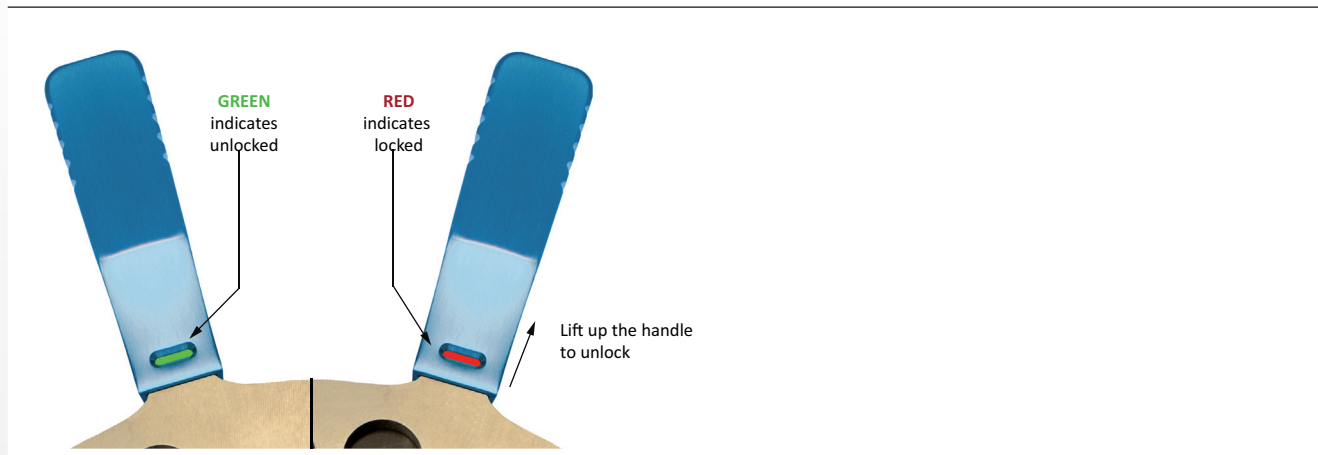




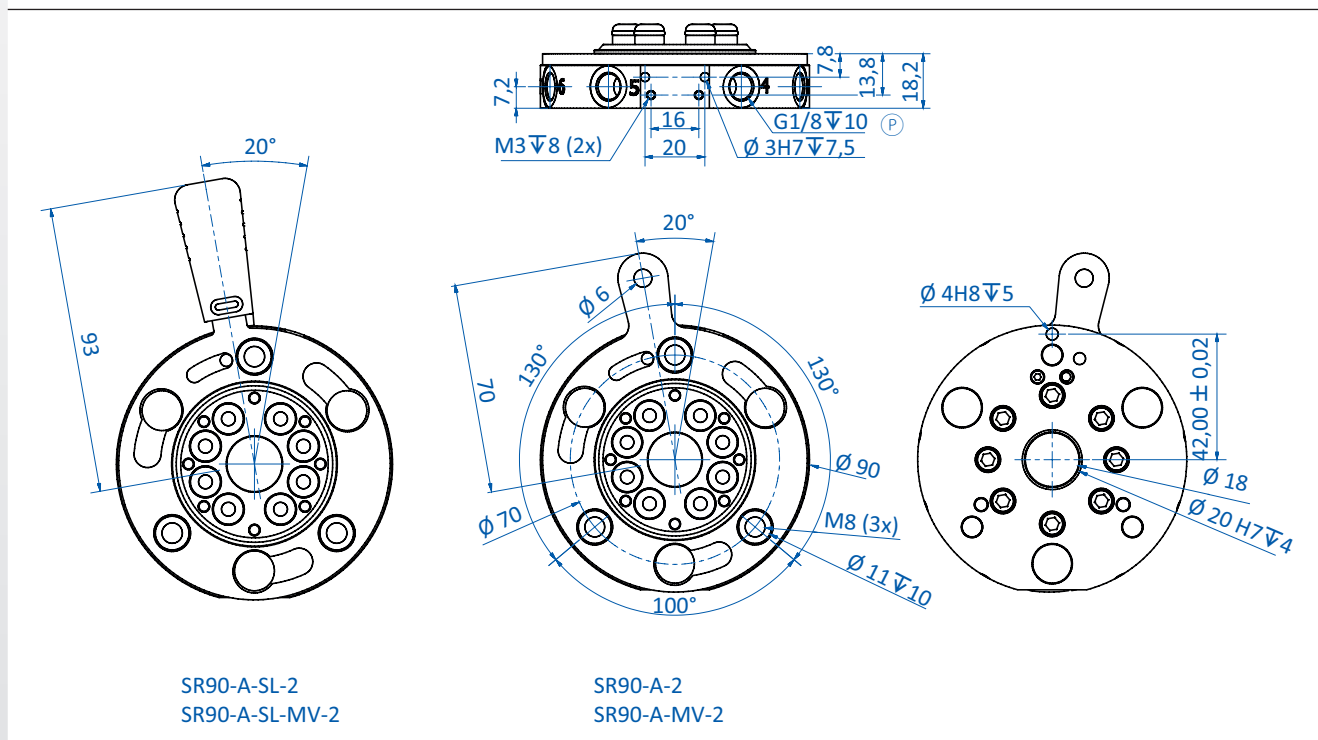
# Quick-change systems | SR Series

Round quick-changers  $\varnothing$  90 mm, 8 air inlets – robot side

## Display of optical locking indication SAFE-LOCK



## Dimensions



(P) = Pneumatic connection