



Round quick-changers \varnothing 50 mm, 6 air inlets – gripper side



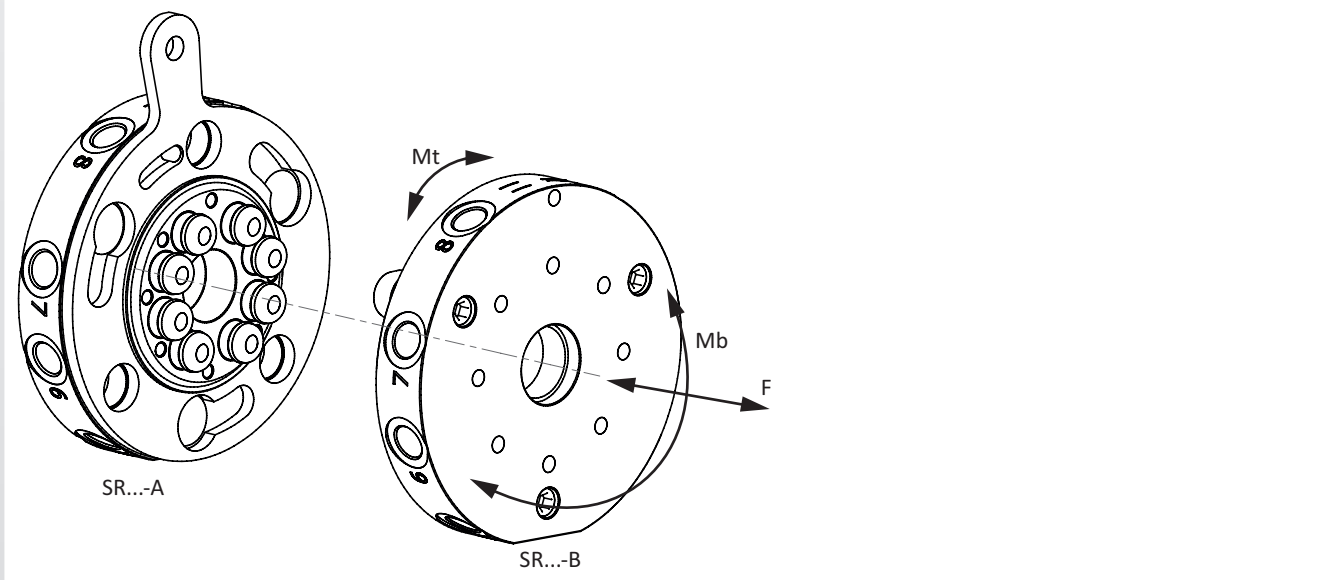
Product notes

- > Manual interface between robot and gripper system
- > Air connections always correctly aligned
- > Body made of anodized aluminum alloy

Technical data

Item no.	SR50-B
Number of pneumatic connections	6xM5
Working pressure [bar (psi)]	0 - 6 (0 - 87)
Max. axial force F [N]	200
Max. torque Mt [Nm]	50
Max. torque Mb [Nm]	30
Max. recommended handling weight [kg]	5
Weight [g]	69
Suitable electrical connectors	20.538

Lifting force / torque

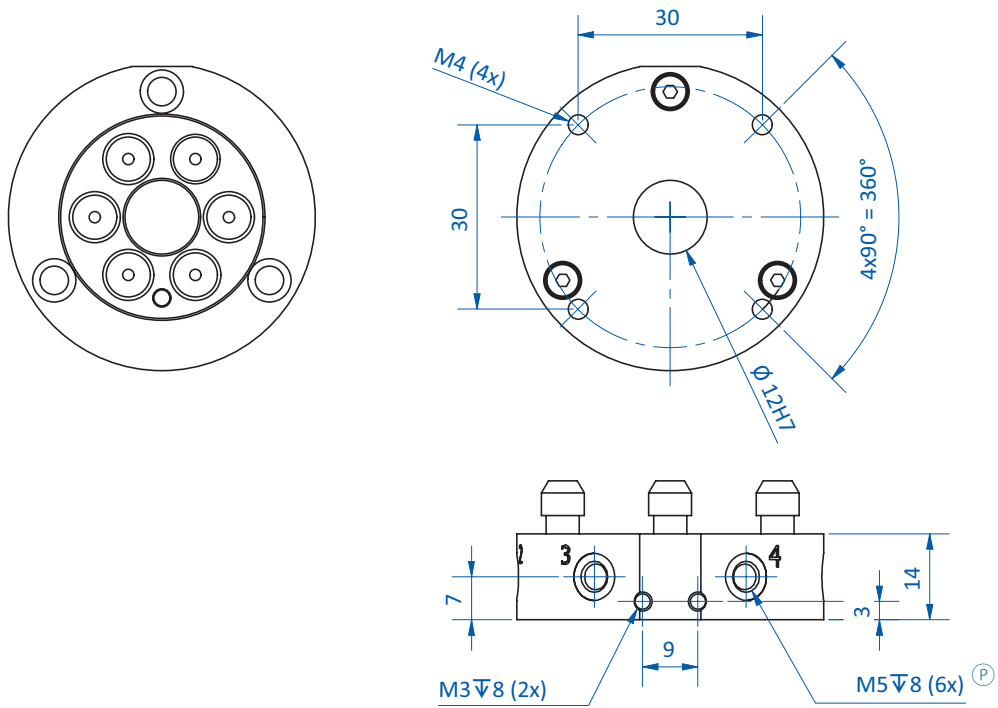




Quick-change systems | SR Series

Round quick-changers \varnothing 50 mm, 6 air inlets – gripper side

Dimensions



Ⓟ = Pneumatic connection