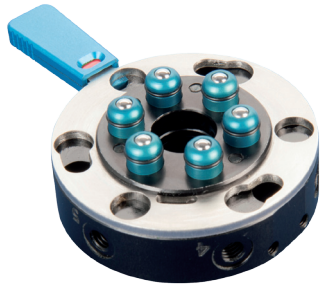




Round quick-changers Ø 50 mm, 6 air inlets – robot side



SR50-A-SL-MV with locking indication SAFE-LOCK

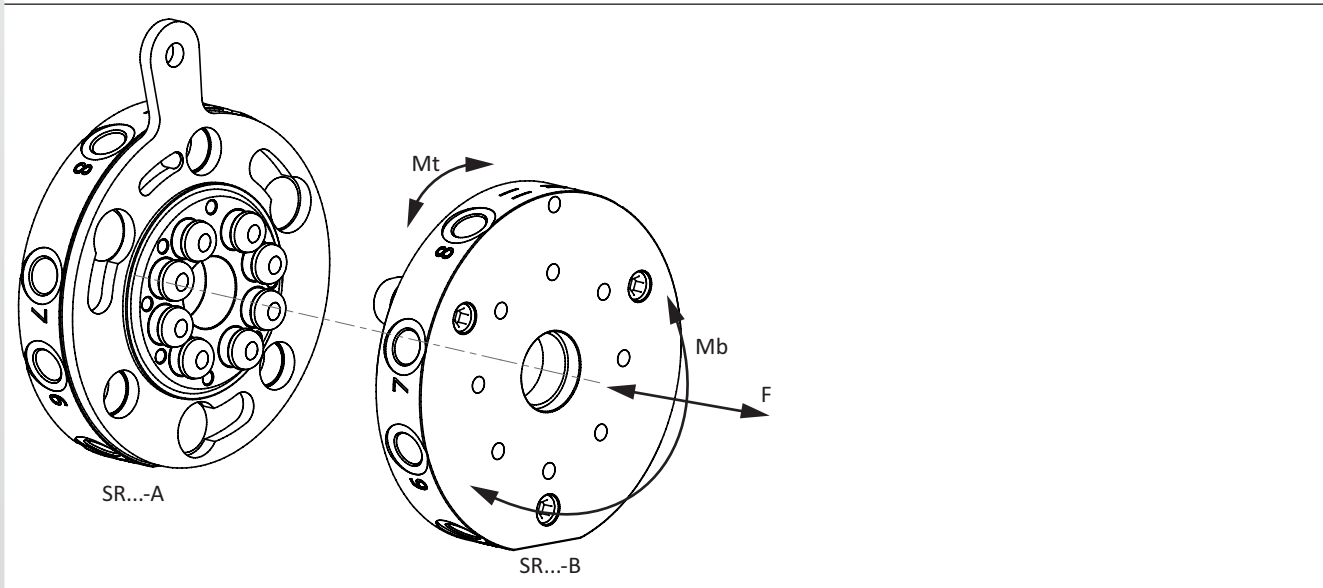
Product notes

- > Manual interface between robot and gripper system
- > Air connections always correctly aligned
- > Body made of anodized aluminum alloy
- > Model MV comes with micro valves for automatic air or vacuum lock off during decoupling
- > Model SL with secure SAFE-LOCK ensures maximum functional reliability and optical locking indication (red/green)

Technical data

Item no.	SR50-A	SR50-A-MV	SR50-A-SL	SR50-A-SL-MV
Number of pneumatic connections	6xM5	6xM5	6xM5	6xM5
Working pressure [bar (psi)]	0 - 6 (0 - 87)	0 - 6 (0 - 87)	0 - 6 (0 - 87)	0 - 6 (0 - 87)
Micro valves	without	integrated	without	integrated
Snap-on	without	without	SAFE-LOCK for secure locking	SAFE-LOCK for secure locking
Max. axial force F [N]	200	200	200	200
Max. torque Mt [Nm]	50	50	50	50
Max. torque Mb [Nm]	30	30	30	30
Max. recommended handling weight [kg]	5	5	5	5
Weight [g]	68	72	70	74
Suitable electrical connectors	20.537	20.537	20.537	20.537

Lifting force / torque

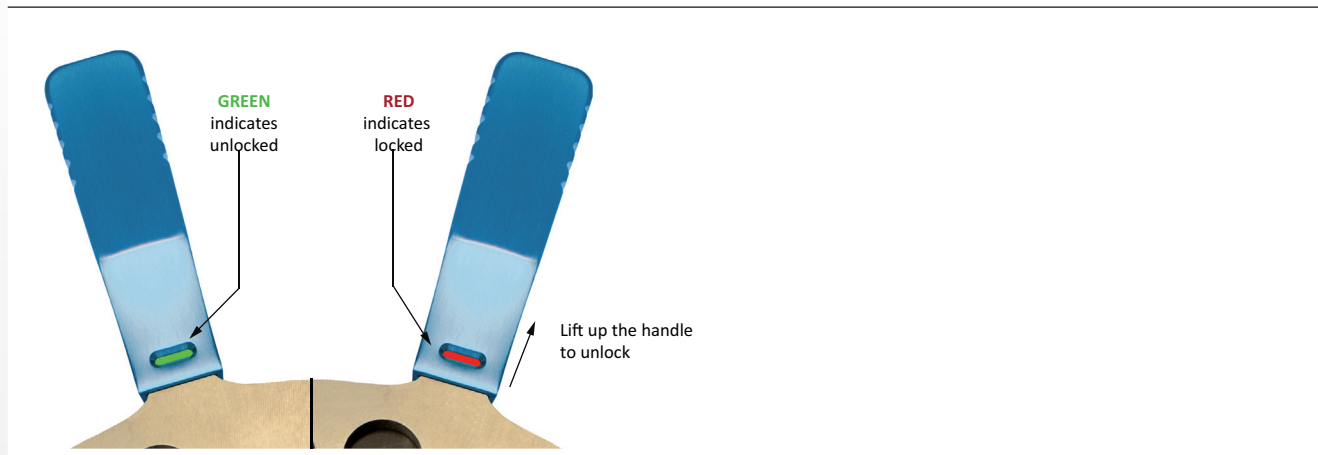




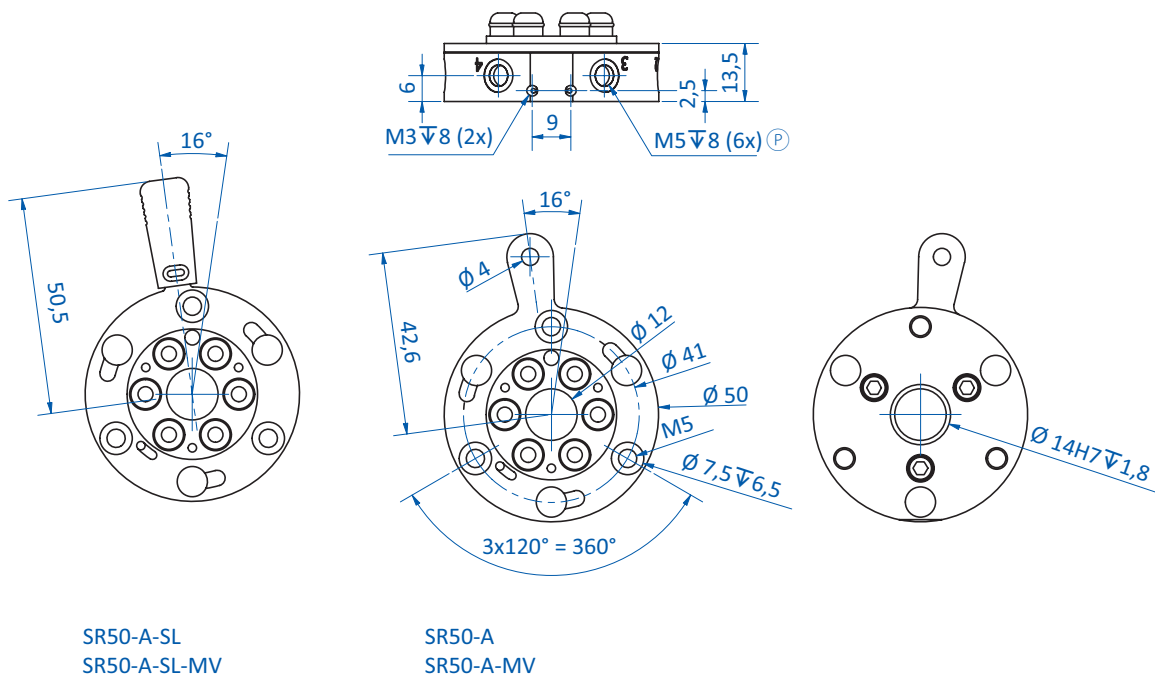
Quick-change systems | SR Series

Round quick-changers \varnothing 50 mm, 6 air inlets – robot side

Display of optical locking indication SAFE-LOCK



Dimensions



\textcircled{P} = Pneumatic connection