



Sprue wiper for gripper series 100



GR04.100-30 mounted on GR04.100

Product notes

- > Sprues are centered between the gripper jaws before gripping
- > Sprues are scraped off when the gripper jaws are reset
- > Simple assembly: the sprue wiper is fixed to the gripper with 2 screws
- > The sprue wiper fits most Series 100 grippers (see data sheet sprue gripper series 100)

Ordering notes

- > The gripper is not included in the delivery, please order separately

Technical data

Item no.	Suitable for	Weight [g]
GR04.100-30	Sprue grippers - Series 100	31

Sprue wiper suitable for gripper series 100

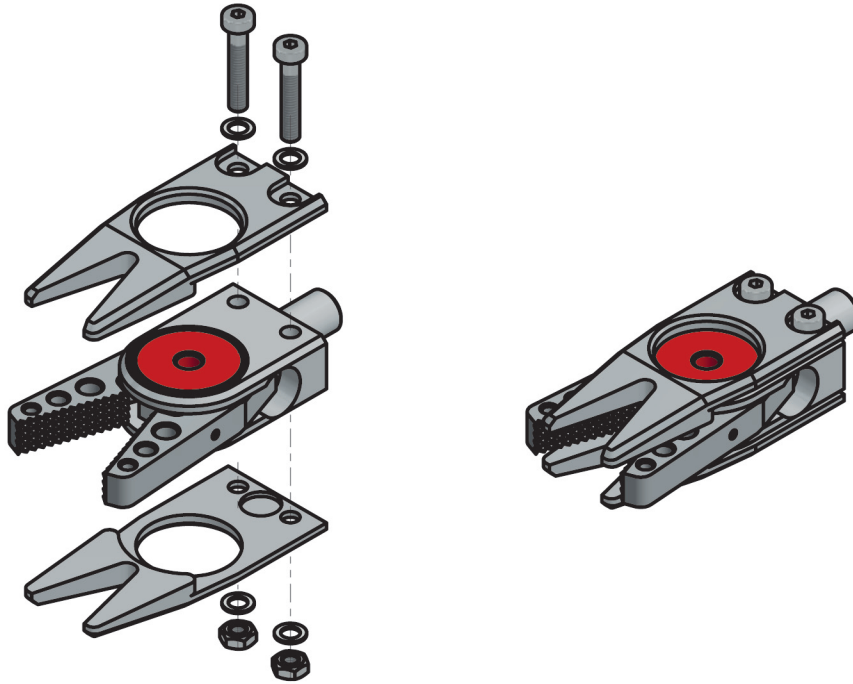
- > GR04.100
- > GR04.100-1N
- > GR04.100-1P
- > GR04.100-3N
- > GR04.100-3P
- > GR04.100S
- > GR04.100S-1N
- > GR04.100S-1P
- > GR04.100H
- > GR04.100HNBR
- > GR04.100B
- > GR04.100P
- > GR04.100P-1N
- > GR04.100P-1P
- > GR04.102



Grippers | Sprue grippers

Sprue wiper for gripper series 100

Mounting instructions



Dimensions

