



Series 80 – miniature sprue gripper, clamping diameter 10 mm – single-acting



Product notes

- > Clamping diameter 10 mm
- > Body and jaws made of anodized aluminum alloy
- > GR04.080SI with FDA-compliant silicone pad
- > GR04.080H with replaceable HNBR pads for gentle handling
- > GR04.080-1N and GR04.080-1P for direct monitoring
- > GR04.080-1P IO-Link capable (has no effect on standard operation without IO-Link)
- > Principle of operation: single-acting
- > Medium: filtered and oiled/unoiled air
- > Ambient air temperature: -20 °C to +80 °C (-4 °F to 176 °F)
- > Ambient air temperature for sprue grippers with sensor: -20°C to +70°C (-4 °F to 158 °F)
- > Usage temperature for HNBR pads 15 to 150 °C (59 to 302 °F), for silicone pads 15 to 200 °C (59 to 392 °F)

Technical data

Item no.	Jaw	Max. operating pressure [bar (psi)]	Sensor	Electric connection	Cable length [mm]	Closing force at 6 bar (87 psi) [N]	Weight [g]	Accessories
GR04.080	Standard	6 (87)	without	--	--	12	8	--
GR04.080SI	Silicone pad	6 (87)	without	--	--	12	8	Silicone pad: GR04.080-11S
GR04.080H	HNBR Pad	6 (87)	without	--	--	12	8	HNBR pad: GR04.080-11H
GR04.080-1N	Standard	6 (87)	NPN, direct monitoring, one freely adjustable switching point	3-pin male M8 connector	200	12	12	Connecting cable: 20.503 Connecting cable: 20.507
GR04.080-1P	Standard	6 (87)	PNP, direct monitoring, one freely adjustable switching point	3-pin male M8 connector	200	12	12	Connecting cable: 20.503 Connecting cable: 20.507

GR04.080-1P: Data and parameters for IO-Link

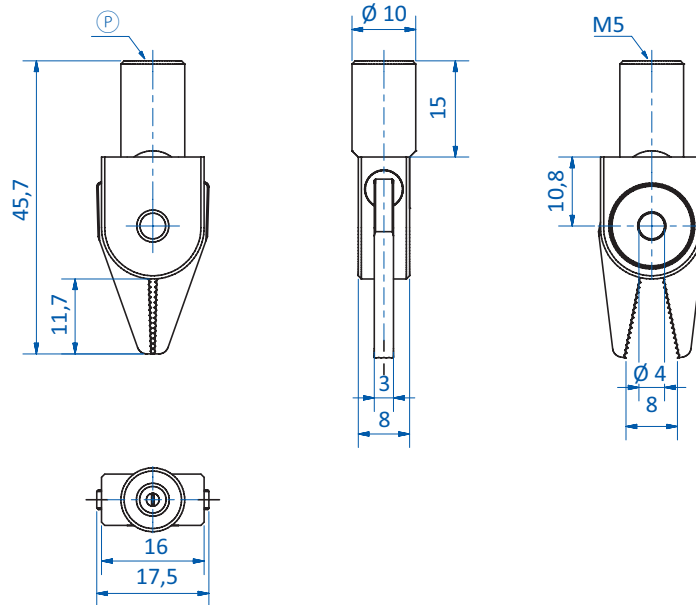
Process data		Readable parameters	Programmable parameters	
Bit 0	Unsecured switching distance reached	Sensor temperature	Switching logic	NO NC
Bit 1	Safe switching distance reached	Maximum sensor temperature	Delay mode	No delay T-OFF delay T-ON delay T-ON/-OFF delay
		Detection counter	Delay time	1...1632 ms
			Detection counter	Reset



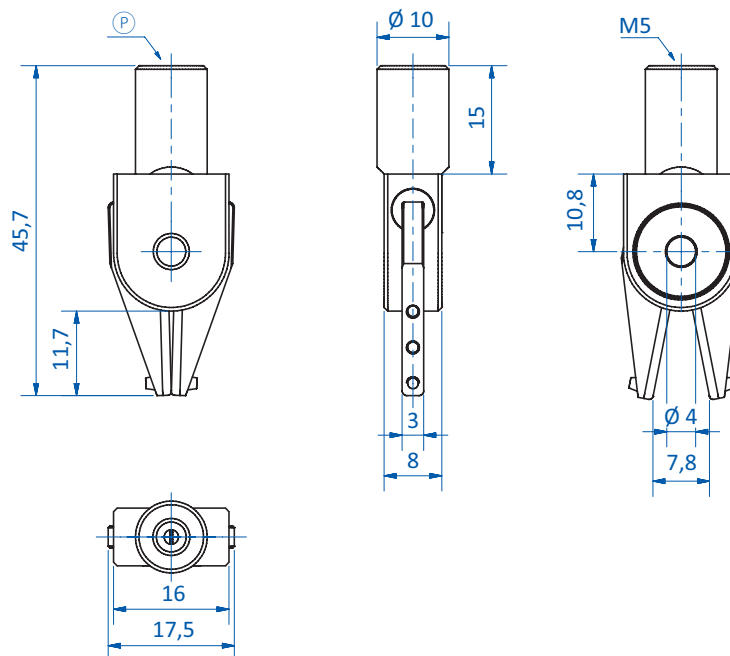
Grippers | Sprue grippers

Series 80 – miniature sprue gripper, clamping diameter 10 mm – single-acting

Dimensions



GR04.080

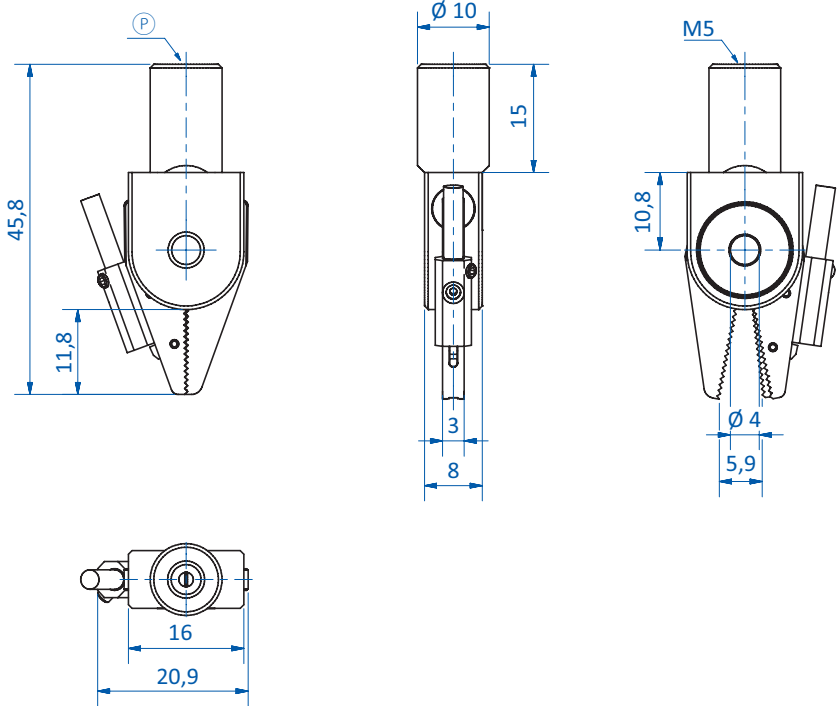


GR04.080SI | GR04.080H

Ⓟ = Compressed air connection



Dimensions



GR04.080-1N | GR04.080-1P

Ⓟ = Compressed air connection