



# Grippers | Gripper fingers

## 35° Gripper Fingers

### 35° Gripper Fingers



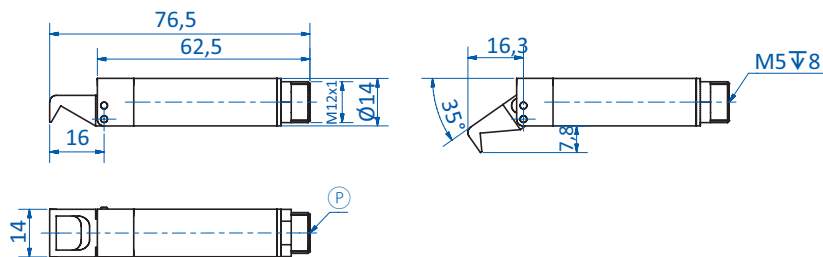
#### Product notes

- > Single-acting, spring return
- > Body and jaws made of anodized aluminum alloy
- > Optionally available sensors:
  - For GR04.035 with optional sensor holder GR04.038S: GR04.198 (1x PNP) and GR04.198/NPN (1x NPN), output M8 3-pole  
Suitable connection cable (2 m): 20.503  
Suitable connecting cable (0.3 m): 20.504
  - For GR04.045, GR04.043: GS04.005 (2x PNP) and GS04.006 (2x NPN) can be taught with two switching points, output M8 4-pole  
Suitable connection cable (5 m): 20.501

#### Technical data

Item no.	Operating pressure [bar (psi)]	Clamping $\phi$ [mm]	Stroke [°]	Sensor nut	Closing force at 6 bar (87 psi) [N]	Weight [g]	Accessories
<b>GR04.035</b>	2 - 8 (29 - 116)	14	35	using GR04.038S	23	25	Sensor mounting bracket: GR04.038S
<b>GR04.045</b>	2 - 8 (29 - 116)	20	35	Yes	65	59	Sensor: GS04.005 Sensor: GS04.006
<b>GR04.043</b>	2 - 8 (29 - 116)	30	35	Yes	214	218	Sensor: GS04.005 Sensor: GS04.006

#### Dimensions

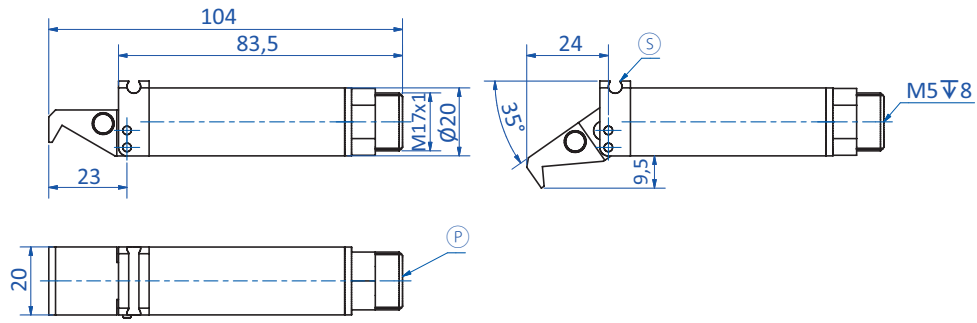


**GR04.035**

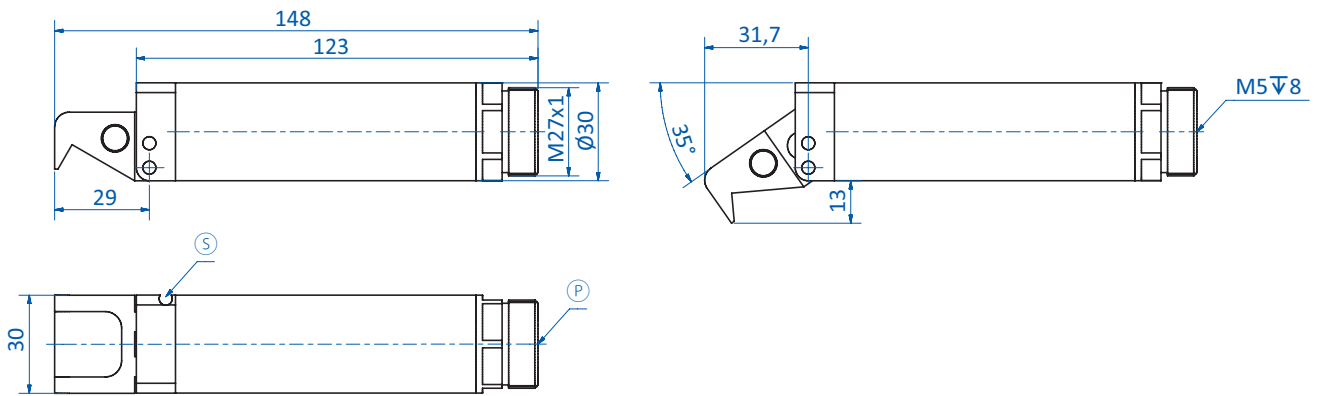
P = Compressed air connection S = Sensor slot



Dimensions



GR04.045



GR04.043

Ⓟ = Compressed air connection Ⓢ = Sensor slot