



Grippers | Gripper fingers

Compact gripper fingers

Compact gripper fingers



Product notes

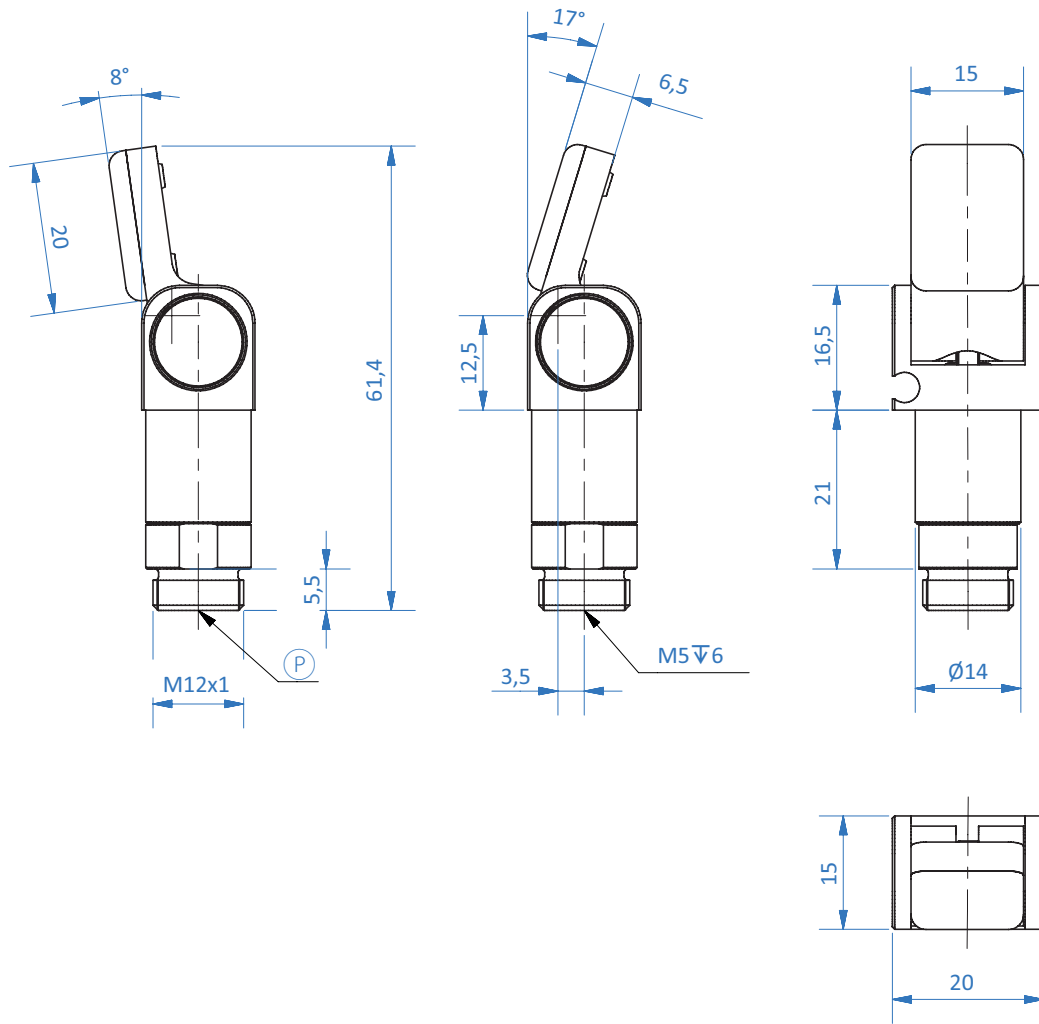
- > Single-acting, spring return
- > Body and jaws made of high-strength aluminum alloy
- > Optional sensors GS04.005 (2x PNP) and GS04.006 (2x NPN) with teach-in of two switching points, plug M8 4-pin
- > HNBR pads/elastomers can be easily replaced
- > Spare part kits each contain five elastomers
- > The max. using temperature of the gripper is 70°C (158°F)
- > Optional connecting cable 20.501

Technical data

Item no.	Jaw	Operating pressure [bar (psi)]	Clamping Ø [mm]	Stroke [°]	Sensor nut	Closing force at 6 bar (87 psi) [N]	Usage temperature elastomers [°C (°F)]	Weight [g]	Accessories
GR04.024H	HNBR Pad	2 - 8 (29 - 116)	14	25	Yes	18	15 - 150 (59 - 302)	24	HNBR pad: GR04.024-HNBR Sensor: GS04.005 Sensor: GS04.006
GR04.025FKM	Elastomer FKM	2 - 8 (29 - 116)	20	22	Yes	51	15 - 200 (59 - 392)	76	Spare part kit: KIT-GR04.025FKM Sensor: GS04.005 Sensor: GS04.006
GR04.025NBR	Elastomer NBR	2 - 8 (29 - 116)	20	22	Yes	51	15 - 90 (59 - 194)	76	Spare part kit: KIT-GR04.025NBR Sensor: GS04.005 Sensor: GS04.006
GR04.025SI	Elastomer Silicone	2 - 8 (29 - 116)	20	22	Yes	51	15 - 200 (59 - 392)	76	Spare part kit: KIT-GR04.025SI Sensor: GS04.005 Sensor: GS04.006
GR04.026H	HNBR Pad	2 - 8 (29 - 116)	20	22	Yes	50	15 - 150 (59 - 302)	65	HNBR pad: GR04.042-HNBR Sensor: GS04.005 Sensor: GS04.006



Dimensions



GR04.024H

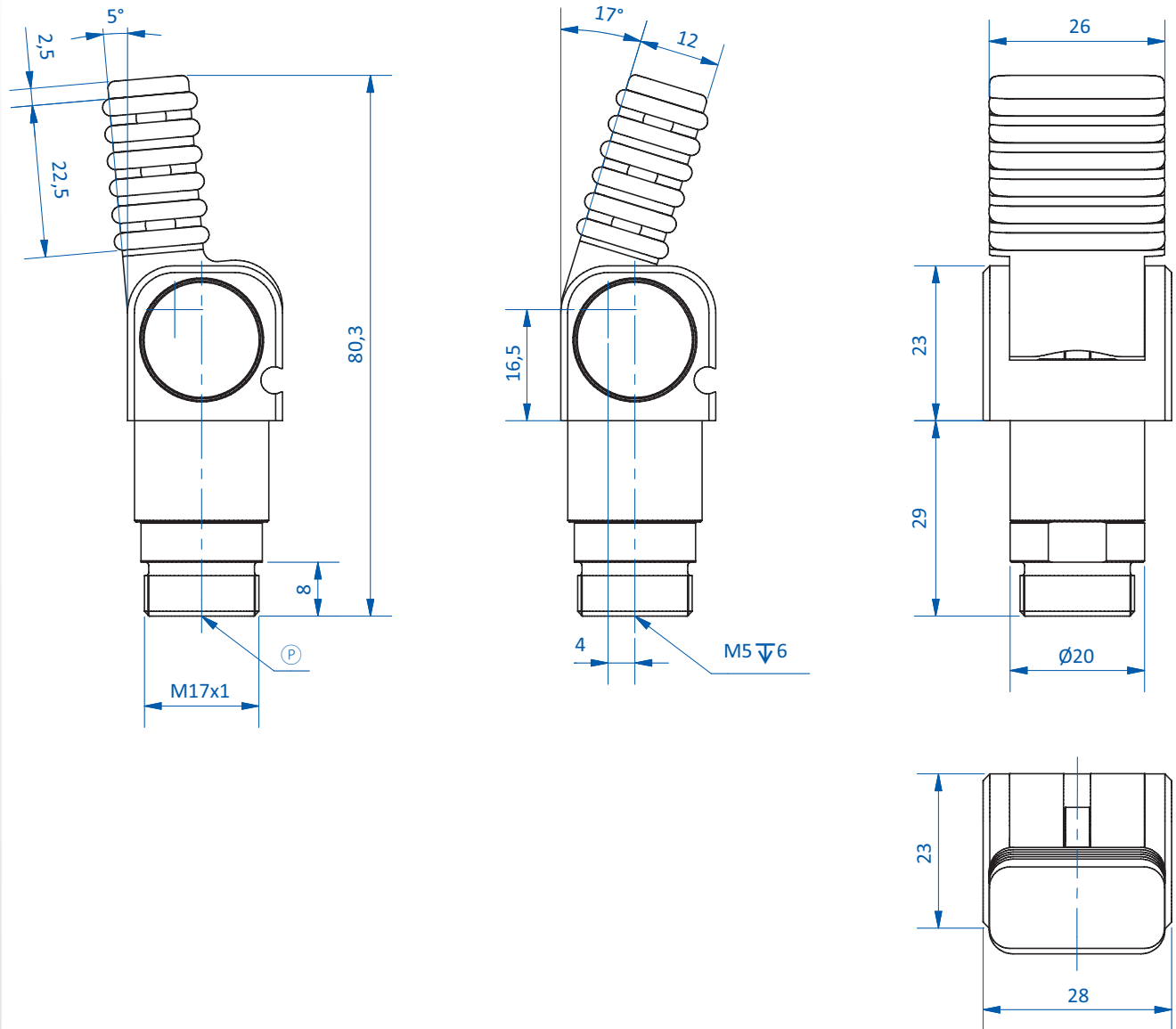
Ⓟ = Compressed air connection Ⓢ = Sensor slot



Grippers | Gripper fingers

Compact gripper fingers

Dimensions

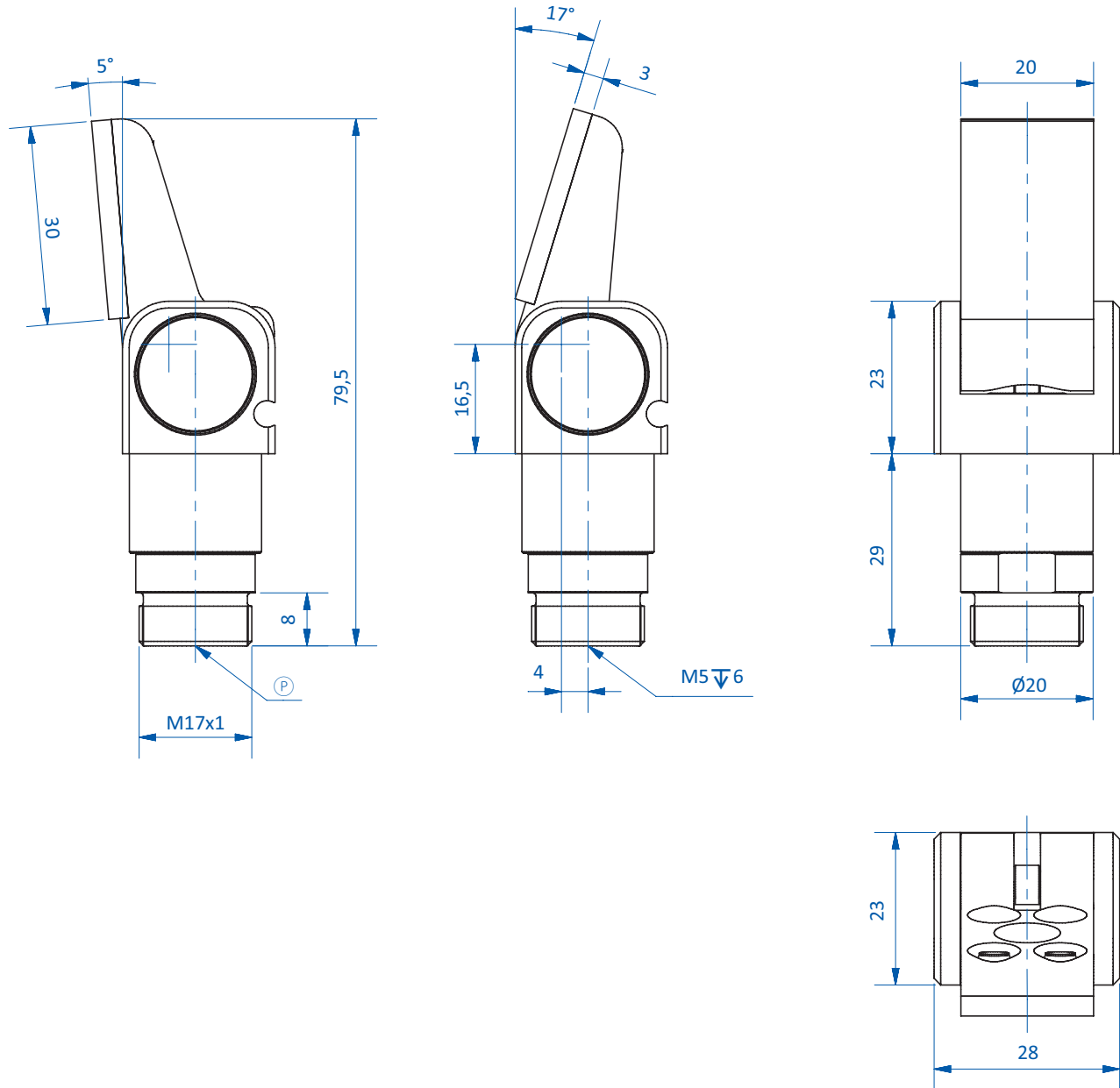


GR04.025FKM | GR04.025NBR | GR04.025SI

Ⓟ = Compressed air connection Ⓢ = Sensor slot



Dimensions



GR04.026H

Ⓟ = Compressed air connection Ⓢ = Sensor slot