

FIPALIFTswift

FIPALIFTswift – Tube lifter set with vacuum generator

FIPALIFTswift – Tube lifter set with vacuum generator



FOR FAST HANDLING



Product notes

- > Tube lifter FIPALIFTswift in a set with rotary vane pump
- > Tube lifter for one-handed operation for handling e.g. packages, boxes, canisters and much more that is dimensionally stable and largely suction-tight
- > NC valve position
- > Swivel and tilt joint included as standard
- > Standard lifting tube length 2.50 m

Technical data

Item no.	Ø Lifting tube [mm]	Vacuum generation	Max. Lifting force [kg]	Stroke [mm]	Suitable motor protection switch
SH.SET.SWT.100.40	100	VPT40	35	1,720	SH.ACC.ALL.0210 SH.ACC.ALL.0211
SH.SET.SWT.100.60	100	VPT60	40	1,720	SH.ACC.ALL.0210 SH.ACC.ALL.0212

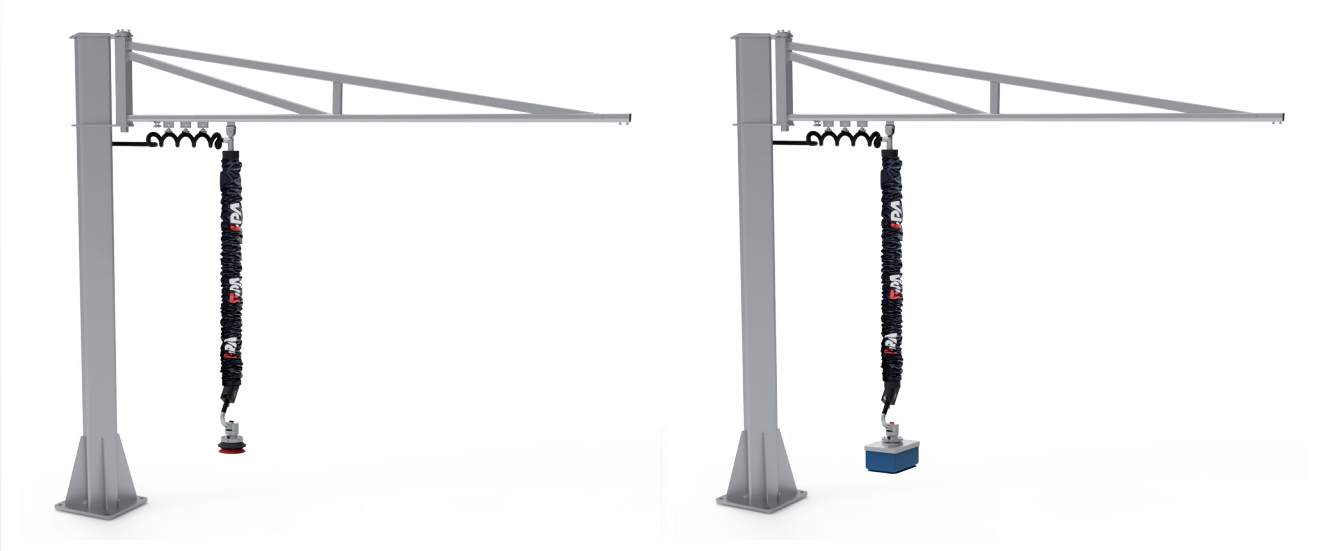
Scope of delivery

- > 1x Tube lifter FIPALIFTswift
- > 1x Vacuum generator
- > 1x Filter with cartridge
- > 1x Small assembly material

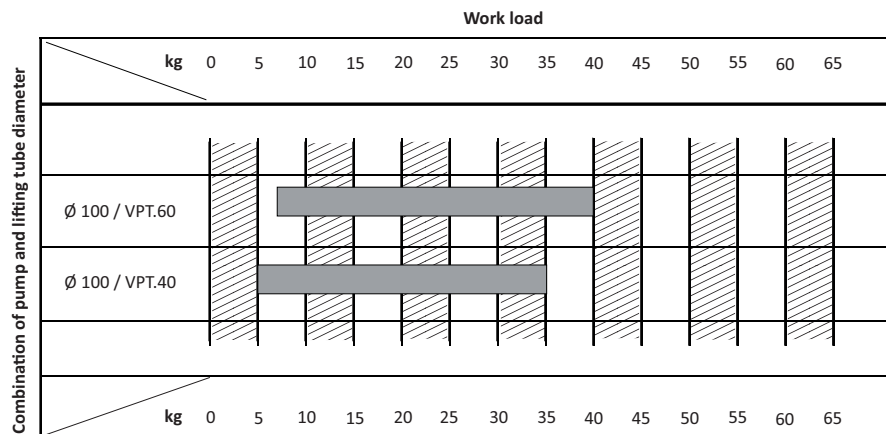
Application examples



Application example with slewing jib crane



Combination of lifting tube diameter and pump

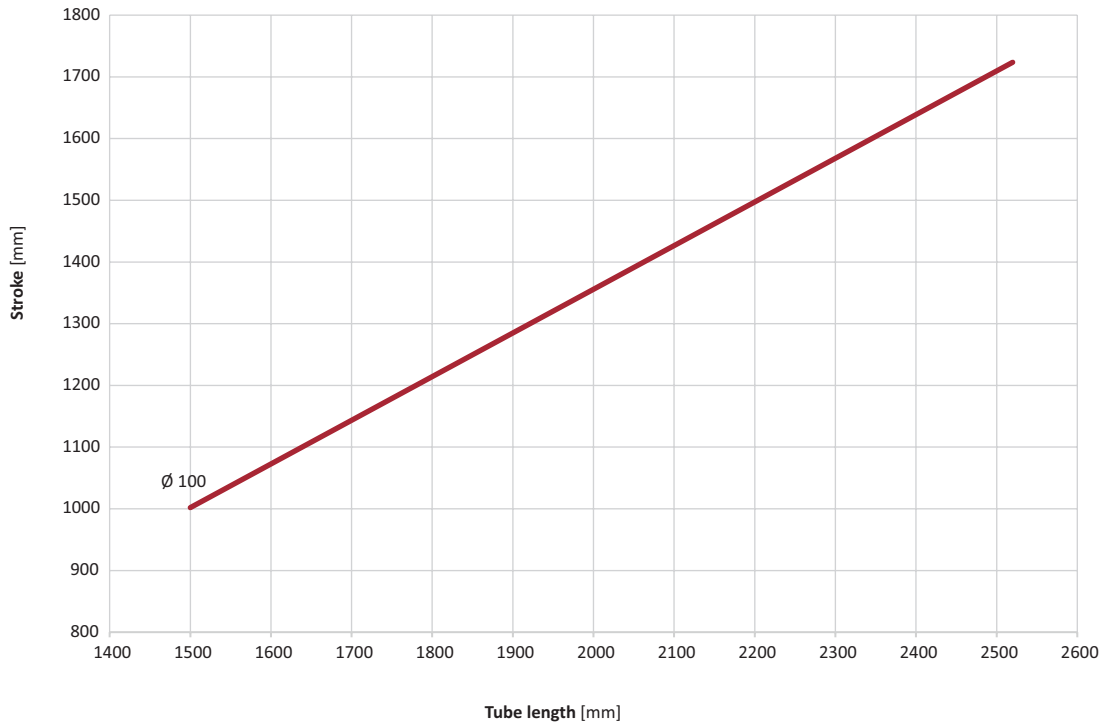


The bars in the diagram show the recommended load weights that can be handled by the individual combination of lifting tube diameter and pump. The recommendations are based on appropriate lifting speeds. A light load will be lifted faster than a heavy load. A non porous load, for example a metal sheet, will be lifted faster than a porous load, for example a carton. Do not use the combination of lifting tube diameter and pump for loads heavier than recommended.

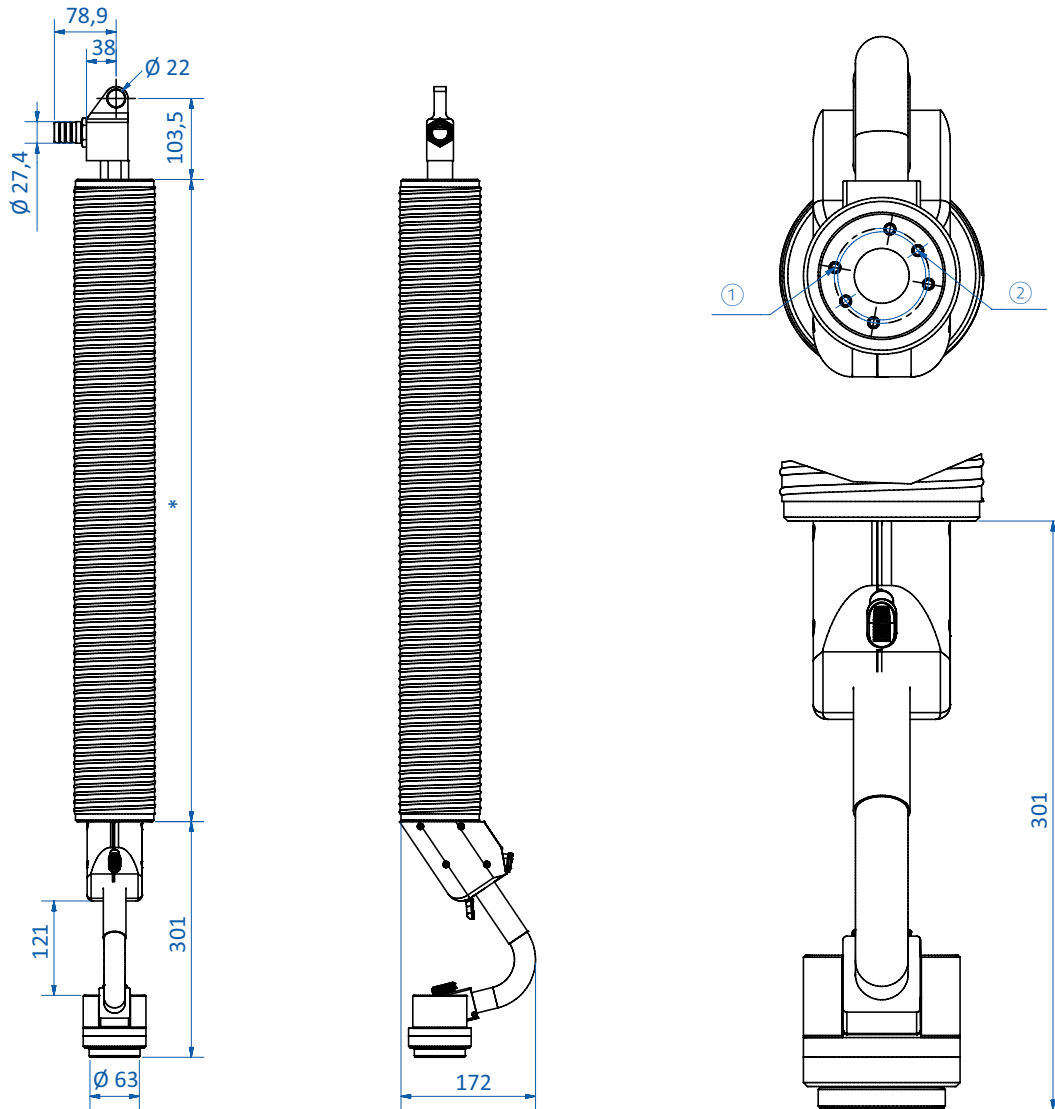
FIPALIFTswift

FIPALIFTswift – Tube lifter set with vacuum generator

Stroke for lift tube length



Dimensions



① = Pitch circle diameter 48.5 / hole pattern with 4xM5 ② = Pitch circle diameter 45 / hole pattern with 2xM5
 * = Length of lifting hose can be individually adjusted (standard length 2.50 m)