

Vacuum cups | Bellows vacuum cups

TPU bellows cups, 2.5 folds – SV-TB2

TPU bellows cups, 2.5 folds – SV-TB2




Product notes

Round bellows vacuum cup with 2.5 folds made of wear-resistant thermoplastic polyurethane. Latching elements stabilize the vacuum cup during dynamic handling. Handling of cardboard packaging and flexible products such as filled cartons.

Advantage

- > Long service life even in heavy-duty applications
- > Large suction stroke enables palletizing processes
- > High suction power due to large active suction surface and good sealing

Technical data

Item no.	Model	Connection thread		Number of folds	Material / Color
20.023.202.18	SV-TB2-20	G1/8-female	13	2.5	TPU (tr)
20.023.203.18	SV-TB2-20	G1/8-male	13	2.5	TPU (tr)
20.027.204.18	SV-TB2-25	G1/8-female	15	2.5	TPU (tr)
20.027.205.18	SV-TB2-25	G1/8-male	15	2.5	TPU (tr)
20.033.206.18	SV-TB2-30	G1/8-female	17	2.5	TPU (tr)
20.033.207.18	SV-TB2-30	G1/8-male	17	2.5	TPU (tr)
20.042.208.18	SV-TB2-40	G1/4-female	22	2.5	TPU (tr)
20.042.209.18	SV-TB2-40	G1/4-male	22	2.5	TPU (tr)
20.052.210.18	SV-TB2-50	G1/4-female	28	2.5	TPU (tr)
20.052.211.18	SV-TB2-50	G1/4-male	28	2.5	TPU (tr)
Spare cups					
21.023.193.18	SV-TB2-20	--	13	2.5	TPU (tr)
21.027.194.18	SV-TB2-25	--	15	2.5	TPU (tr)
21.033.195.18	SV-TB2-30	--	17	2.5	TPU (tr)
21.042.196.18	SV-TB2-40	--	22	2.5	TPU (tr)
21.052.197.18	SV-TB2-50	--	28	2.5	TPU (tr)

Accessories

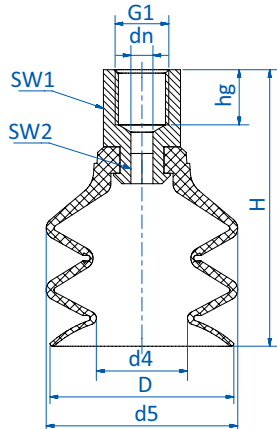
Spare vacuum cup:

21.023.193.18
21.023.193.18
21.027.194.18
21.027.194.18
21.033.195.18
21.033.195.18
21.042.196.18
21.042.196.18
21.052.197.18
21.052.197.18

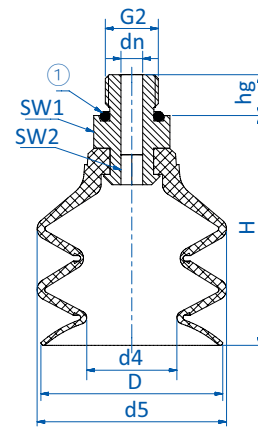
Vacuum cups | Bellows vacuum cups

TPU bellows cups, 2.5 folds – SV-TB2

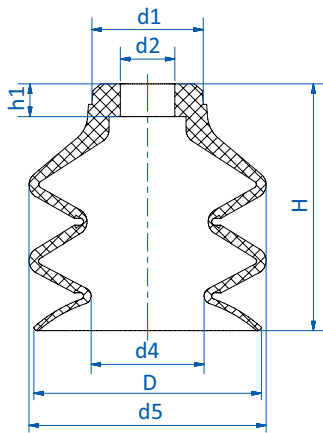
Dimensions



Drawing A



Drawing B



Drawing C

① = O-ring

Item no.	Drawing	∅ D [mm]	∅ d1 [mm]	∅ d2 [mm]	∅ d4 [mm]	∅ d5 [mm]	∅ dn [mm]	G1 (female)	G2 (male)	H [mm]	h1 [mm]	hg [mm]	SW1	SW2
20.023.202.18	A	23	--	--	15	25	4	G1/8	--	39	--	10	14	4
20.023.203.18	B	23	--	--	15	25	4	--	G1/8	31	--	7.5	14	4
20.027.204.18	A	27	--	--	15	28	4	G1/8	--	45	--	10	14	4
20.027.205.18	B	27	--	--	15	28	4	--	G1/8	37	--	7.5	14	4
20.033.206.18	A	33	--	--	18	35	4	G1/8	--	50	--	10	14	4
20.033.207.18	B	33	--	--	18	35	4	--	G1/8	42	--	7.5	14	4
20.042.208.18	A	42	--	--	24	43	6	G1/4	--	62	--	14	17	6
20.042.209.18	B	42	--	--	24	43	6	--	G1/4	52	--	10	17	6
20.052.210.18	A	52	--	--	28	53	6	G1/4	--	73	--	14	17	6
20.052.211.18	B	52	--	--	28	53	6	--	G1/4	63	--	10	17	6

Spare cups

21.023.193.18	C	23	15.2	8	15	25	--	--	--	25	4.8	--	--	--
21.027.194.18	C	27	15	8	15	28	--	--	--	31	4.8	--	--	--
21.033.195.18	C	33	16.3	8	18	35	--	--	--	36	4.8	--	--	--
21.042.196.18	C	42	22.2	12	24	43	--	--	--	45	6.7	--	--	--
21.052.197.18	C	52	23.8	12	28	53	--	--	--	56	6.7	--	--	--