

Vacuum cups | Bellows vacuum cups

TPU bellows cups, 1.5 folds – SV-TB1

TPU bellows cups, 1.5 folds – SV-TB1



Product notes

Round bellows vacuum cup with 1.5 folds made of wear-resistant thermoplastic polyurethane. Latching elements stabilize the vacuum cup during dynamic handling. Handling of cardboard boxes, e.g. in box erectors.

Advantage

- > Long service life even with heavy-duty use
- > High suction power due to large active suction area and good sealing

Technical data

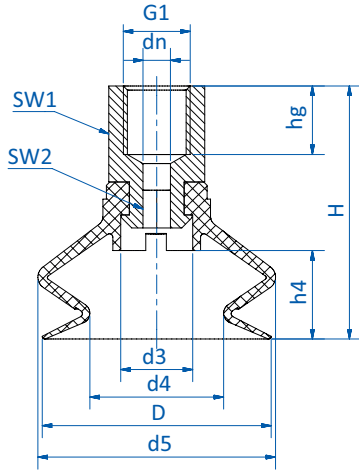
Item no.	Model	Connection thread		Number of folds	Material / Color
22.010.337.18	SV-TB1-10	M5-female	4	1.5	TPU (tr)
22.010.338.18	SV-TB1-10	M5-male	4	1.5	TPU (tr)
22.017.339.18	SV-TB1-15	G1/8-female	6	1.5	TPU (tr)
22.017.340.18	SV-TB1-15	G1/8-male	6	1.5	TPU (tr)
22.023.341.18	SV-TB1-20	G1/8-female	8.5	1.5	TPU (tr)
22.023.342.18	SV-TB1-20	G1/8-male	8.5	1.5	TPU (tr)
22.028.343.18	SV-TB1-25	G1/8-female	10.5	1.5	TPU (tr)
22.028.344.18	SV-TB1-25	G1/8-male	10.5	1.5	TPU (tr)
22.033.345.18	SV-TB1-30	G1/8-female	13	1.5	TPU (tr)
22.033.346.18	SV-TB1-30	G1/8-male	13	1.5	TPU (tr)
22.043.347.18	SV-TB1-40	G1/4-female	15	1.5	TPU (tr)
22.043.348.18	SV-TB1-40	G1/4-male	15	1.5	TPU (tr)
22.054.349.18	SV-TB1-50	G1/4-female	18	1.5	TPU (tr)
22.054.350.18	SV-TB1-50	G1/4-male	18	1.5	TPU (tr)
22.064.351.18	SV-TB1-60	G1/4-female	21	1.5	TPU (tr)
22.064.352.18	SV-TB1-60	G1/4-male	21	1.5	TPU (tr)
22.082.353.18	SV-TB1-80	G1/4-female	23.5	1.5	TPU (tr)
22.082.354.18	SV-TB1-80	G1/4-male	23.5	1.5	TPU (tr)
Spare cups					
23.010.301.18	SV-TB1-10	--	4	1.5	TPU (tr)
23.017.302.18	SV-TB1-15	--	6	1.5	TPU (tr)
23.023.303.18	SV-TB1-20	--	8.5	1.5	TPU (tr)
23.028.304.18	SV-TB1-25	--	10.5	1.5	TPU (tr)
23.033.305.18	SV-TB1-30	--	13	1.5	TPU (tr)
23.043.306.18	SV-TB1-40	--	15	1.5	TPU (tr)
23.054.307.18	SV-TB1-50	--	18	1.5	TPU (tr)
23.064.308.18	SV-TB1-60	--	21	1.5	TPU (tr)
23.082.309.18	SV-TB1-80	--	23.5	1.5	TPU (tr)

Accessories

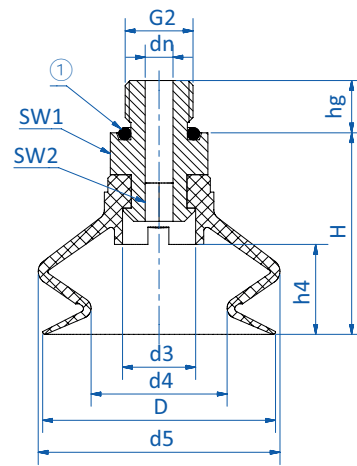
Spare vacuum cup:

23.010.301.18
23.010.301.18
23.017.302.18
23.017.302.18
23.023.303.18
23.023.303.18
23.028.304.18
23.028.304.18
23.033.305.18
23.033.305.18
23.043.306.18
23.043.306.18
23.054.307.18
23.054.307.18
23.064.308.18
23.064.308.18
23.082.309.18
23.082.309.18

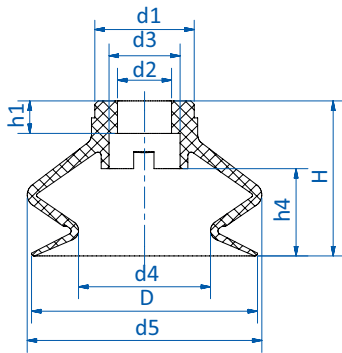
Dimensions



Drawing A



Drawing B



Drawing C

① = O-ring

Item no.	Drawing	Ø D [mm]	Ø d1 [mm]	Ø d2 [mm]	Ø d3 [mm]	Ø d4 [mm]	Ø d5 [mm]	Ø dn [mm]	G1 (fe-male)	G2 (male)	H [mm]	h1 [mm]	h4 [mm]	hg [mm]	SW1	SW2
22.010.337.18	A	10	--	--	--	6.5	11	3	M5	--	22	--	--	5	8	2
22.010.338.18	B	10	--	--	--	6.5	11	1.8	--	M5	17	--	--	4.7	8	3
22.017.339.18	A	17	--	--	--	11	19	4	G1/8	--	29	--	--	10	14	4
22.017.340.18	B	17	--	--	--	11	19	4	--	G1/8	21	--	--	7.5	14	4
22.023.341.18	A	23	--	--	--	14	24.5	4	G1/8	--	32.5	--	8.5	10	14	4
22.023.342.18	B	23	--	--	--	14	24.5	4	--	G1/8	24.5	--	8.5	7.5	14	4
22.028.343.18	A	28	--	--	--	18.5	29.5	4	G1/8	--	34.5	--	10.5	10	14	4
22.028.344.18	B	28	--	--	--	18.5	29.5	4	--	G1/8	26.5	--	10.5	7.5	14	4
22.033.345.18	A	33	--	--	--	22	35	4	G1/8	--	37	--	13	10	14	4
22.033.346.18	B	33	--	--	--	22	35	4	--	G1/8	29	--	13	7.5	14	4
22.043.347.18	A	43	--	--	--	27	45.5	6	G1/4	--	47	--	15	14	17	6
22.043.348.18	B	43	--	--	--	27	45.5	6	--	G1/4	37	--	15	10	17	6
22.054.349.18	A	54	--	--	--	30	56.5	6	G1/4	--	49.5	--	18	14	17	6
22.054.350.18	B	54	--	--	--	30	56.5	6	--	G1/4	39.5	--	18	10	17	6
22.064.351.18	A	64	--	--	--	40	66.5	6	G1/4	--	52.5	--	21	14	17	6
22.064.352.18	B	64	--	--	--	40	66.5	6	--	G1/4	42.5	--	21	10	17	6
22.082.353.18	A	82	--	--	--	57	84	6	G1/4	--	64	--	23.5	13	22	6
22.082.354.18	B	82	--	--	--	57	84	6	--	G1/4	54	--	23.5	10	22	6

Vacuum cups | Bellows vacuum cups

TPU bellows cups, 1.5 folds – SV-TB1

Item no.	Drawing	∅ D [mm]	∅ d1 [mm]	∅ d2 [mm]	∅ d3 [mm]	∅ d4 [mm]	∅ d5 [mm]	∅ dn [mm]	G1 (fe-male)	G2 (male)	H [mm]	h1 [mm]	h4 [mm]	hg [mm]	SW1	SW2
Spare cups																
23.010.301.18	C	10	9	5.8	--	6.5	11	--	--	--	12	4.3	--	--	--	--
23.017.302.18	C	17	14.6	8	--	11	19	--	--	--	15	4.8	--	--	--	--
23.023.303.18	C	23	14.8	8	10.5	14	24.5	--	--	--	18.5	4.8	8.5	--	--	--
23.028.304.18	C	28	14.8	8	10.5	18.5	29.5	--	--	--	20.5	4.8	10.5	--	--	--
23.033.305.18	C	33	14.7	8	10.5	22	35	--	--	--	23	4.8	13	--	--	--
23.043.306.18	C	43	21.5	12	18	27	45.5	--	--	--	29.5	6.7	15	--	--	--
23.054.307.18	C	54	21.2	12	18	30	56.5	--	--	--	32	6.7	18	--	--	--
23.064.308.18	C	64	21.2	12	18	40	66.5	--	--	--	35	6.7	21	--	--	--
23.082.309.18	C	82	27	15	29	57	84	--	--	--	46	15.1	23.5	--	--	--