



### Series 100 – sprue grippers, clamping diameter 10 mm – single-acting



#### Product notes

- > Grippers with wide jaw opening for large gates
- > Gap-free closing for flat gates
- > Housings and gripper jaws consist of an anodized, high-strength aluminum alloy (except GR04.100XW)
- > Model R with rotating gripper jaws for conical sprues
- > Model XW with extra wide steel jaws
- > Model B with rounded gripper jaws for large/inclined gates
- > Model U for special gripper jaws; the closing force depends on the shape of the gripper jaws
- > Model S with sawtooth profile for higher grip force
- > Model H with replaceable HNBR pads for gentle handling
- > Model XW with extra wide gripper jaws
- > Index 1N and 1P for direct monitoring; large-area sensor operation, regardless of the position of the gate in the gripper
- > Index 2N and 2P for teachable sensors, direct/indirect sensor monitoring
- > Index 3N and 3P for indirect monitoring; signal triggering if no component has been gripped; no moving parts and thus increased mechanical stability
- > Single-acting
- > Medium: filtered and oiled/non-oiled air
- > Ambient air temperature: -20°C to +80°C (-4 °F to 176 °F)
- > Ambient air temperature for sprue grippers with sensor: -20°C to +75°C (-4 °F to 167 °F)

#### Technical data

Item no.	Jaw	Operating pressure [bar (psi)]	Sensor	Closing force at 6 bar (87 psi) [N]	Weight [g]	Accessories
<b>GR04.100</b>	Standard	2.5 - 8 (36.3 - 116)	without	22	49	--
<b>GR04.100R</b>	Standard rotatable	2.5 - 8 (36.3 - 116)	without	22	54	--
<b>GR04.100B</b>	Sawtooth jaws round	2.5 - 8 (36.3 - 116)	without	22	49	--
<b>GR04.100U</b>	Universal	2.5 - 8 (36.3 - 116)	without	22	44	Exchangeable jaws: GR04.103-1 Exchangeable jaws: GR04.103-2 Exchangeable jaws: GR04.103-3 Exchangeable jaws: GR04.103-4
<b>GR04.100S</b>	Sawtooth jaws straight	2.5 - 8 (36.3 - 116)	without	22	49	--
<b>GR04.100H</b>	HNBR Pad	2.5 - 8 (36.3 - 116)	without	22	46	HNBR pad: GR04.103-4 HNBR
<b>GR04.100HNBR</b>	Fully HNBR-coated	2.5 - 8 (36.3 - 116)	without	22	48	--
<b>GR04.100XW</b>	Xwide	2.5 - 8 (36.3 - 116)	without	22	85	--
<b>GR04.100-1N</b>	Standard	2.5 - 8 (36.3 - 116)	NPN, direct monitoring, one freely adjustable switching point	22	52	Sensor: GS04.002 Connector cable: 20.503



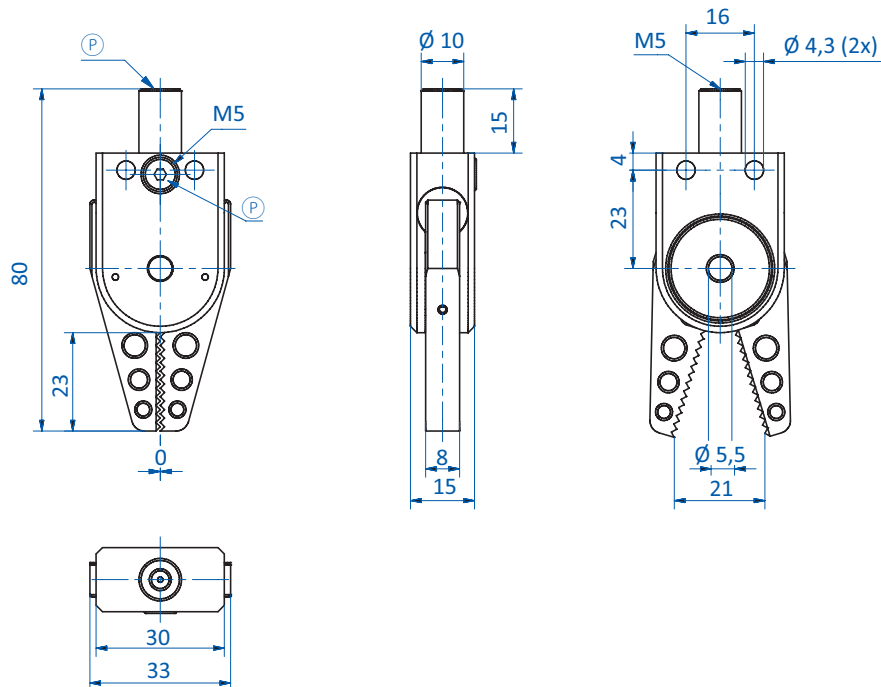
# Grippers | Sprue grippers

Series 100 – sprue grippers, clamping diameter 10 mm – single-acting

## Technical data

Item no.	Jaw	Operating pressure [bar (psi)]	Sensor	Closing force at 6 bar (87 psi) [N]	Weight [g]	Accessories
<b>GR04.100-1P</b>	Standard	2.5 - 8 (36.3 - 116)	PNP, direct monitoring, one freely adjustable switching point	22	52	Sensor: GS04.001 Connector cable: 20.503
<b>GR04.100-2N</b>	Standard	2.5 - 8 (36.3 - 116)	NPN, direct monitoring, two freely adjustable switching points	22	53	Sensor: GS04.006 Connector cable: 20.501 Connector cable: 20.502
<b>GR04.100-2P</b>	Standard	2.5 - 8 (36.3 - 116)	PNP, direct monitoring, two freely adjustable switching points	22	53	Sensor: GS04.005 Connector cable: 20.501 Connector cable: 20.502
<b>GR04.100-3N</b>	Standard	2.5 - 8 (36.3 - 116)	NPN, indirect monitoring	22	50	Sensor: GR04.203N Connector cable: 20.503
<b>GR04.100-3P</b>	Standard	2.5 - 8 (36.3 - 116)	PNP, indirect monitoring	22	50	Sensor: GR04.203P Connector cable: 20.503
<b>GR04.100S-1N</b>	Sawtooth jaws straight	2.5 - 8 (36.3 - 116)	NPN, direct monitoring, one freely adjustable switching point	22	52	Sensor: GS04.002 Connector cable: 20.503
<b>GR04.100S-1P</b>	Sawtooth jaws straight	2.5 - 8 (36.3 - 116)	PNP, direct monitoring, one freely adjustable switching point	22	52	Sensor: GS04.001 Connector cable: 20.503
<b>GR04.100H-2N</b>	HNBR Pad	2.5 - 8 (36.3 - 116)	NPN, direct monitoring, two freely adjustable switching points	22	50	Sensor: GS04.006 Connector cable: 20.501 Connector cable: 20.502 HNBR pad: GR04.103-4 HNBR
<b>GR04.100H-2P</b>	HNBR Pad	2.5 - 8 (36.3 - 116)	PNP, direct monitoring, two freely adjustable switching points	22	50	Sensor: GS04.005 Connector cable: 20.501 Connector cable: 20.502 HNBR pad: GR04.103-4 HNBR

## Dimensions

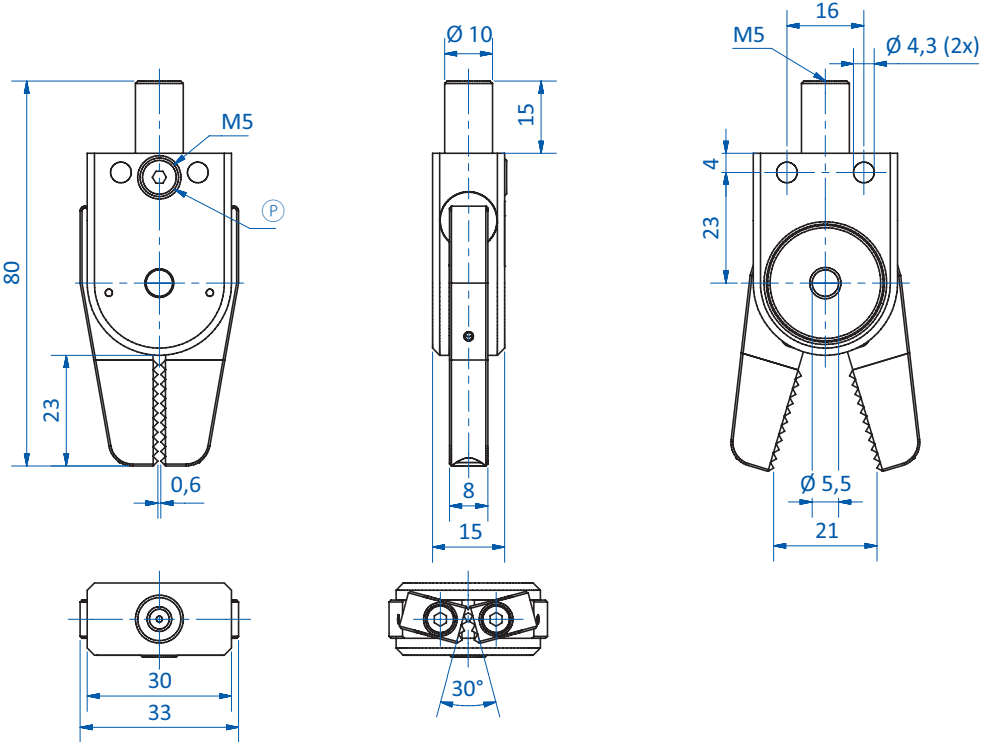


**GR04.100**

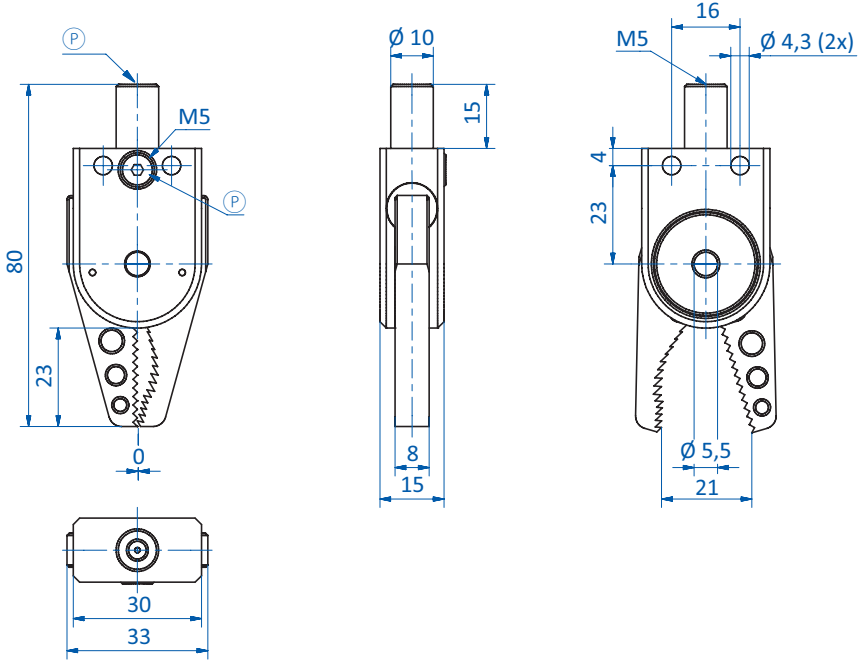
Ⓟ = Compressed air connection



Dimensions



GR04.100R



GR04.100B

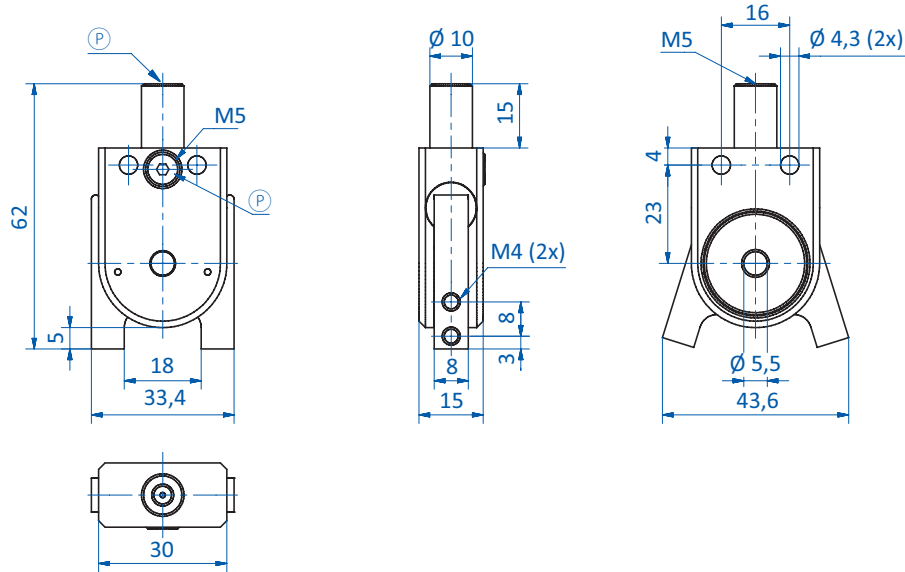
Ⓟ = Compressed air connection



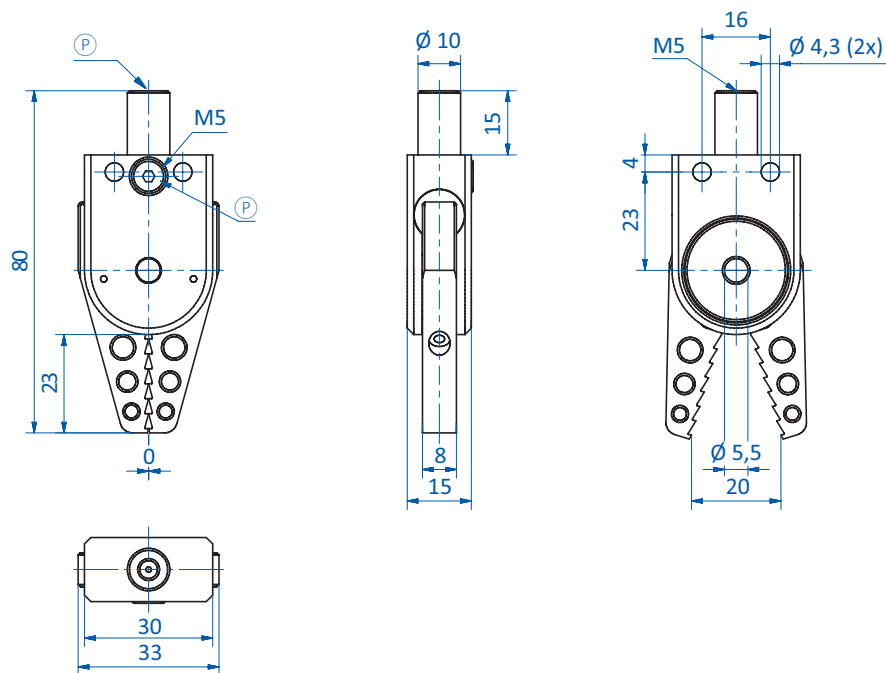
# Grippers | Sprue grippers

Series 100 – sprue grippers, clamping diameter 10 mm – single-acting

## Dimensions



GR04.100U

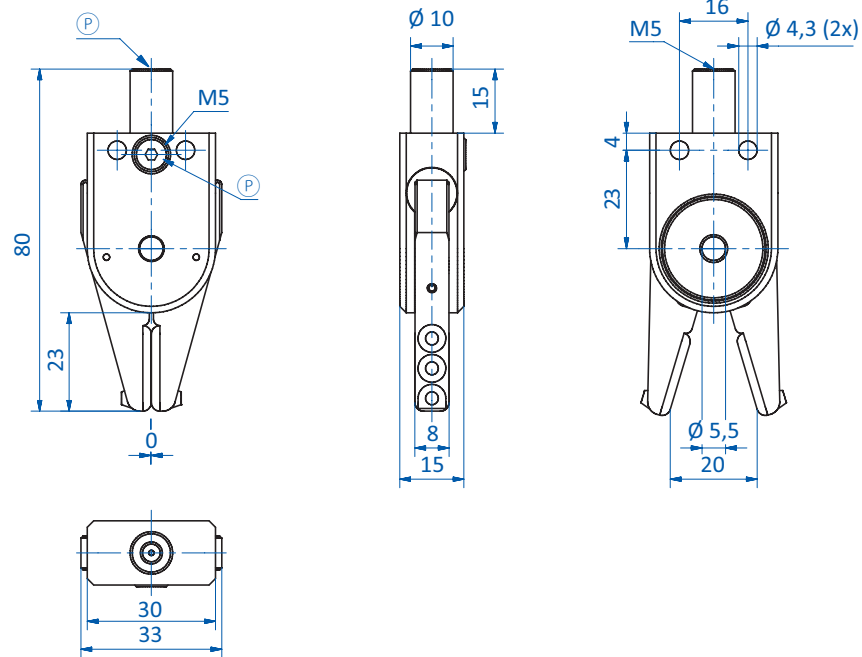


GR04.100S

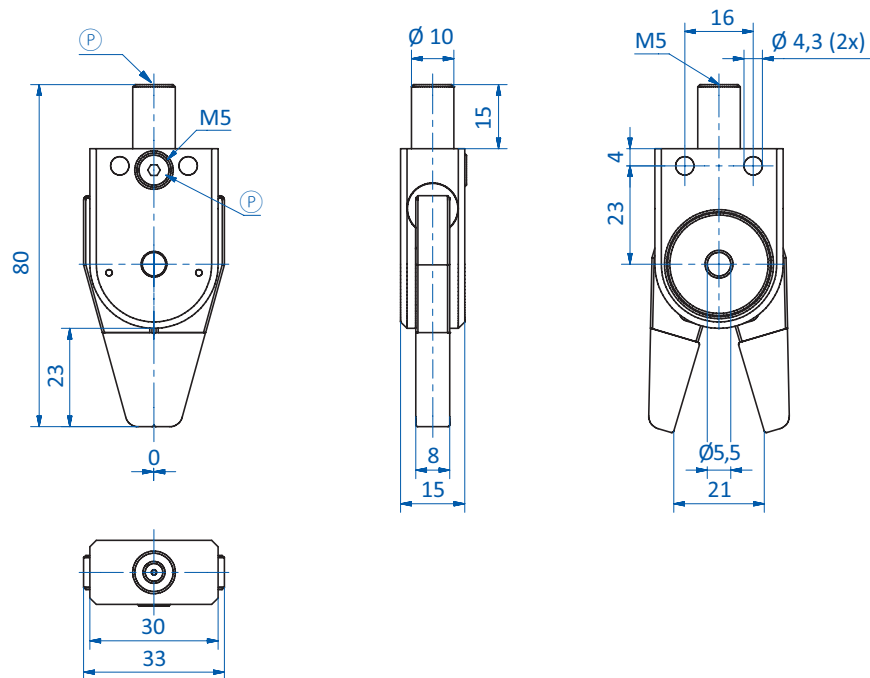
Ⓟ = Compressed air connection



## Dimensions



GR04.100H



GR04.100HBR

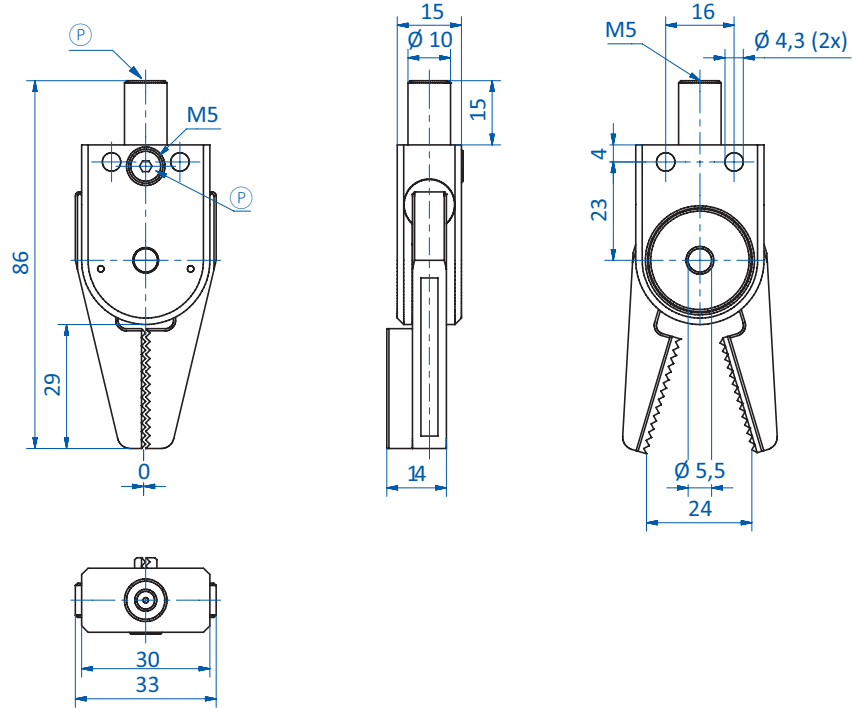
Ⓟ = Compressed air connection



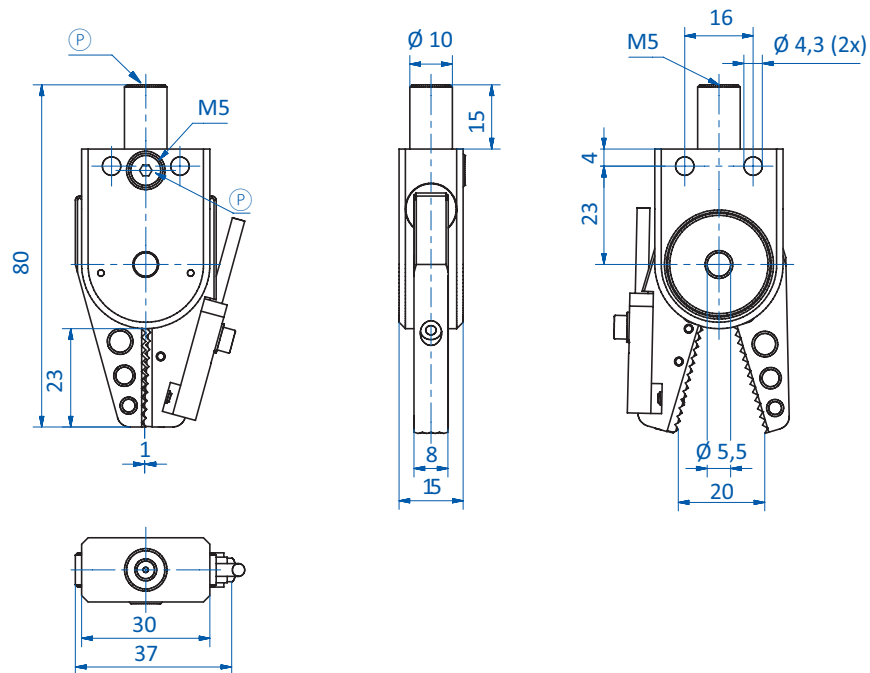
# Grippers | Sprue grippers

Series 100 – sprue grippers, clamping diameter 10 mm – single-acting

## Dimensions



GR04.100XW

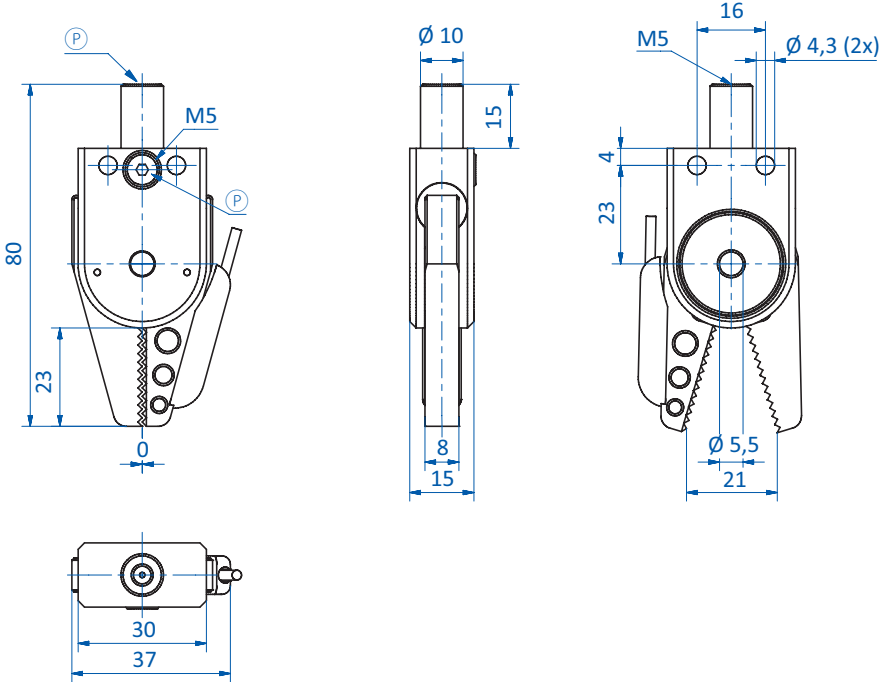


GR04.100-1N | GR04.100-1P

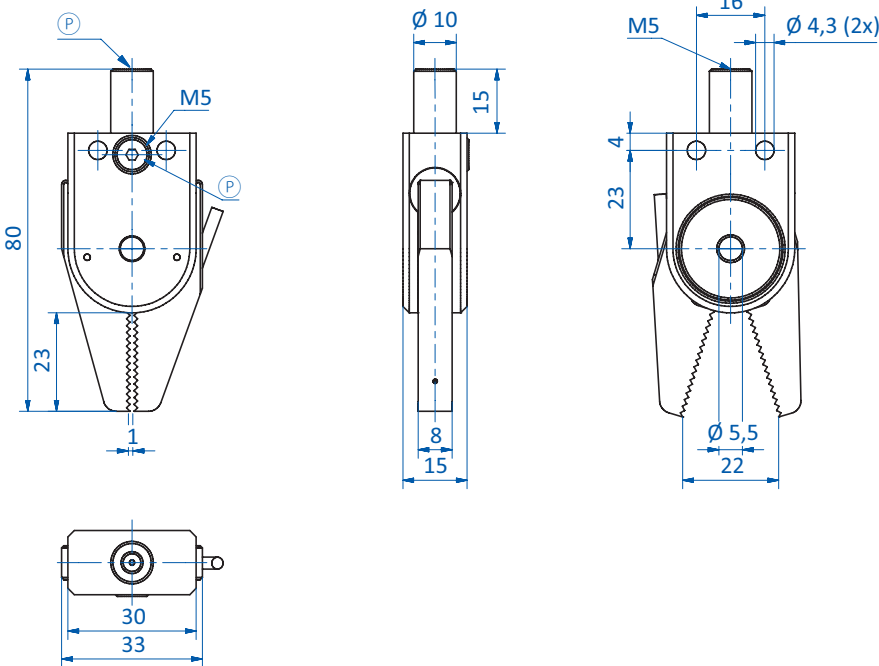
Ⓟ = Compressed air connection



Dimensions



GR04.100-2N | GR04.100-2P



GR04.100-3N | GR04.100-3P

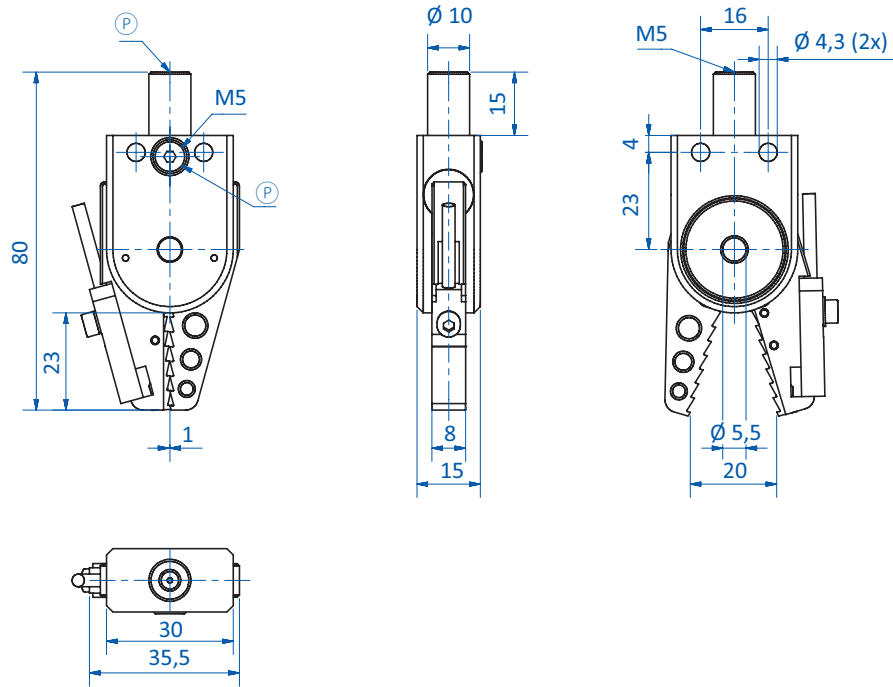
Ⓟ = Compressed air connection



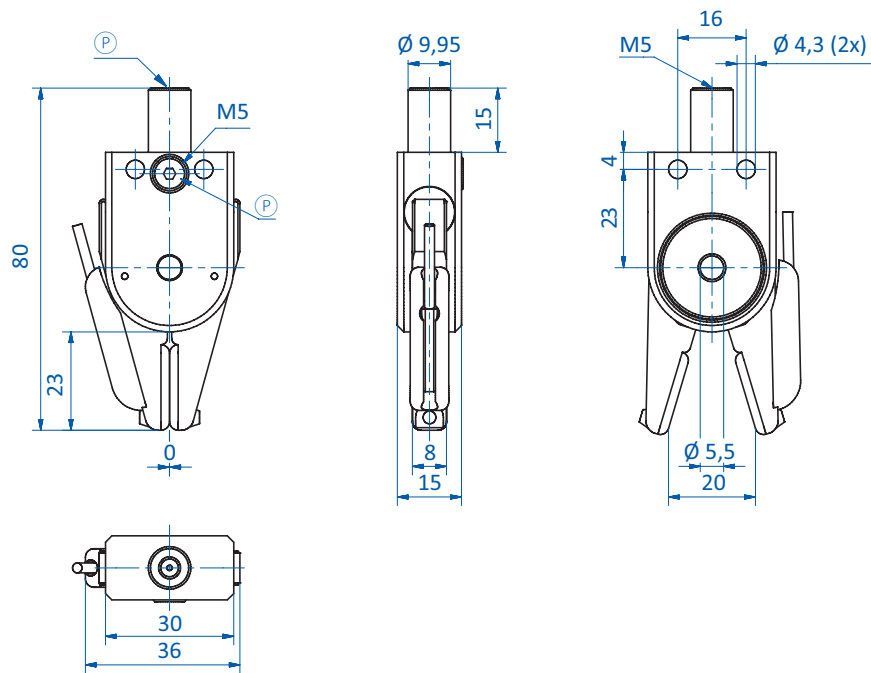
# Grippers | Sprue grippers

Series 100 – sprue grippers, clamping diameter 10 mm – single-acting

## Dimensions



GR04.100S-1N | GR04.100S-1P



GR04.100H-2N | GR04.100H-2P

Ⓟ = Compressed air connection