



Vacuum gripping systems | Area gripper FSG

Area gripper FSG-V with internal valves

Area gripper FSG-V with internal valves



Product notes

- > For automated handling of individual products or product layers without changing grippers
- > Low noise emissions for a pleasant working environment
- > With built-in cartridge ejectors
- > With integrated valves to control the suction (NO) and blow-off (NC) functions
- > With check valves or flow resistors
- > The sealing foam can be replaced quickly, non-destructively and without leaving residues

Technical data

Item no.	Valve type	Length [mm]	Number of suction cells	Working pressure [bar (psi)]	Air consumption at 6 bar (87 psi) [l/min]	Suction power at 6 bar (87 psi) [Nl/min]	Suction force at nominal power [N]	Vacuum level [mbar (inHg)]	Power supply [V]	Current consumption at 24 VDC max [mA]	Electric connection	Weight [kg]
FSG-V.VG130.434.5F20C2	Check valve	434	83	4 - 6 (58 - 87)	200	700	668	-550 (-16.2)	24	46	1x Plug M8x1; 4-pin	3.8
FSG-V.VG130.572.5F20C3	Check valve	572	113	4 - 6 (58 - 87)	300	1,050	909	-550 (-16.2)	24	46	1x Plug M8x1; 4-pin	4.3
FSG-V.VG130.711.5F20C4	Check valve	711	143	4 - 6 (58 - 87)	400	1,400	1,150	-550 (-16.2)	24	46	1x Plug M8x1; 4-pin	5
FSG-V.VG130.849.5F20C4	Check valve	849	173	4 - 6 (58 - 87)	400	1,400	1,391	-550 (-16.2)	24	46	1x Plug M8x1; 4-pin	5.7
FSG-V.VG130.988.5F20C5	Check valve	988	203	4 - 6 (58 - 87)	500	1,750	1,633	-550 (-16.2)	24	92	2x Plug M8x1; 4-pin	6.1
FSG-V.VG130.1126.5F20C6	Check valve	1,126	233	4 - 6 (58 - 87)	600	2,100	1,874	-550 (-16.2)	24	92	2x Plug M8x1; 4-pin	7.5
FSG-V.VG130.1265.5F20C6	Check valve	1,265	263	4 - 6 (58 - 87)	600	2,100	2,115	-550 (-16.2)	24	92	2x Plug M8x1; 4-pin	7.9
FSG-V.PG130.434.5F20C2	Flow reduction	434	83	4 - 6 (58 - 87)	200	700	668	-550 (-16.2)	24	92	1x Plug M8x1; 4-pin	3.8
FSG-V.PG130.572.5F20C3	Flow reduction	575	113	4 - 6 (58 - 87)	300	1,050	909	-550 (-16.2)	24	46	1x Plug M8x1; 4-pin	4.3
FSG-V.PG130.711.5F20C4	Flow reduction	711	143	4 - 6 (58 - 87)	400	1,400	1,150	-550 (-16.2)	24	46	1x Plug M8x1; 4-pin	5
FSG-V.PG130.849.5F20C4	Flow reduction	849	173	4 - 6 (58 - 87)	400	1,400	1,391	-550 (-16.2)	24	46	1x Plug M8x1; 4-pin	5.7
FSG-V.PG130.988.5F20C5	Flow reduction	988	203	4 - 6 (58 - 87)	500	1,750	1,633	-550 (-16.2)	24	92	2x Plug M8x1; 4-pin	6.1
FSG-V.PG130.1126.5F20C6	Flow reduction	1,126	233	4 - 6 (58 - 87)	600	2,100	1,874	-550 (-16.2)	24	92	2x Plug M8x1; 4-pin	7.5
FSG-V.PG130.1265.5F20C6	Flow reduction	1,265	263	4 - 6 (58 - 87)	600	2,100	2,115	-550 (-16.2)	24	92	2x Plug M8x1; 4-pin	7.9



Notes

- > Area grippers with check valves are suitable for swivel/tilt movements up to less than 90°
- > Equipped with pressure gauge as standard, vacuum switch optionally available
- > Other sealing foams (height, shape) on request

Optional accessories and spare parts

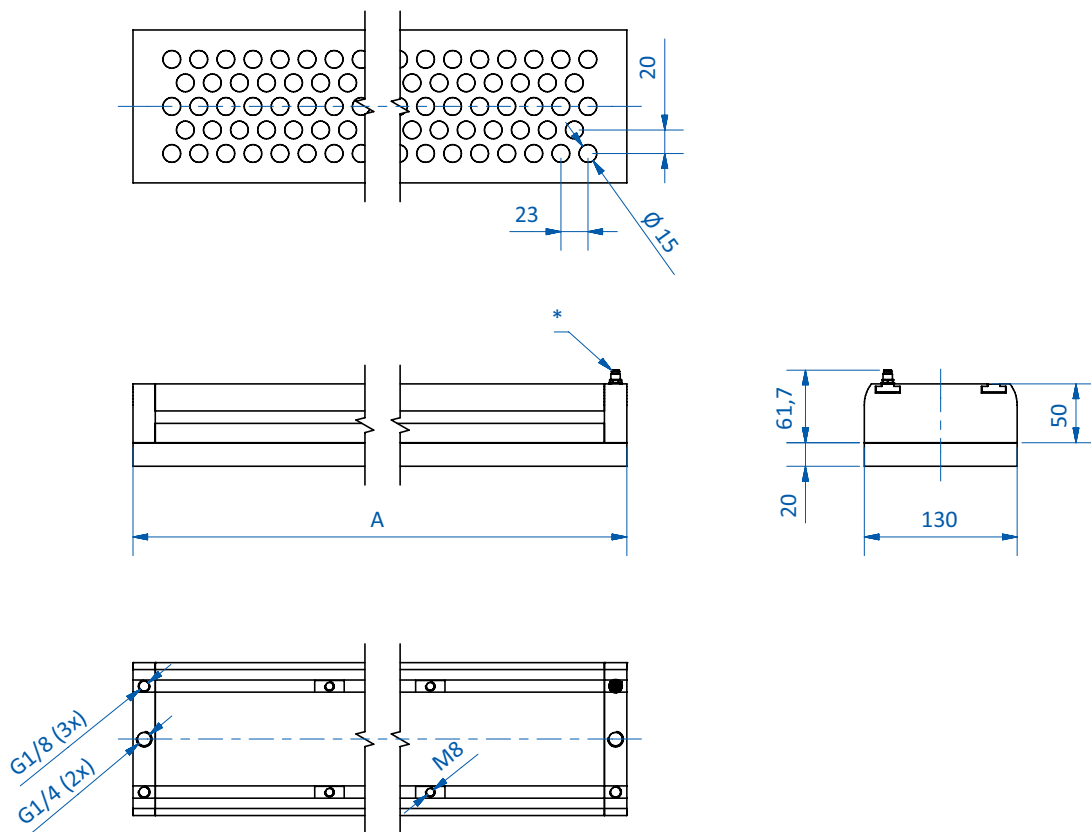
Optional accessories:

- > Electronic vacuum switch with display GS02.001
- > Electronic vacuum switch GS02.003
- > Electronic vacuum and pressure switch 20.026
- > Flange module for large-area gripper FSG.ACC130.0001
- > Slot nut 1x M8 for large-area gripper FSG.ACC130.0002
- > Optical sensor with sensor holder FSG.ACC130.0004

Spare parts:

- > Spare foam length 295 mm FSG.ACC130.295.5F20
- > Spare foam length 434 mm FSG.ACC130.434.5F20
- > Spare foam length 572 mm FSG.ACC130.572.5F20
- > Spare foam length 711 mm FSG.ACC130.711.5F20
- > Spare foam length 849 mm FSG.ACC130.849.5F20
- > Spare foam length 988 mm FSG.ACC130.988.5F20
- > Spare foam length 1126 mm FSG.ACC130.1126.5F20
- > Spare foam length 1265 mm FSG.ACC130.1265.5F20

Dimensions



FSG-V.VG130.434.5F20C2 | FSG-V.VG130.572.5F20C3 | FSG-V.VG130.711.5F20C4 | FSG-V.VG130.849.5F20C4 |
 FSG-V.PG130.434.5F20C2 | FSG-V.PG130.572.5F20C3 | FSG-V.PG130.711.5F20C4 | FSG-V.PG130.849.5F20C4

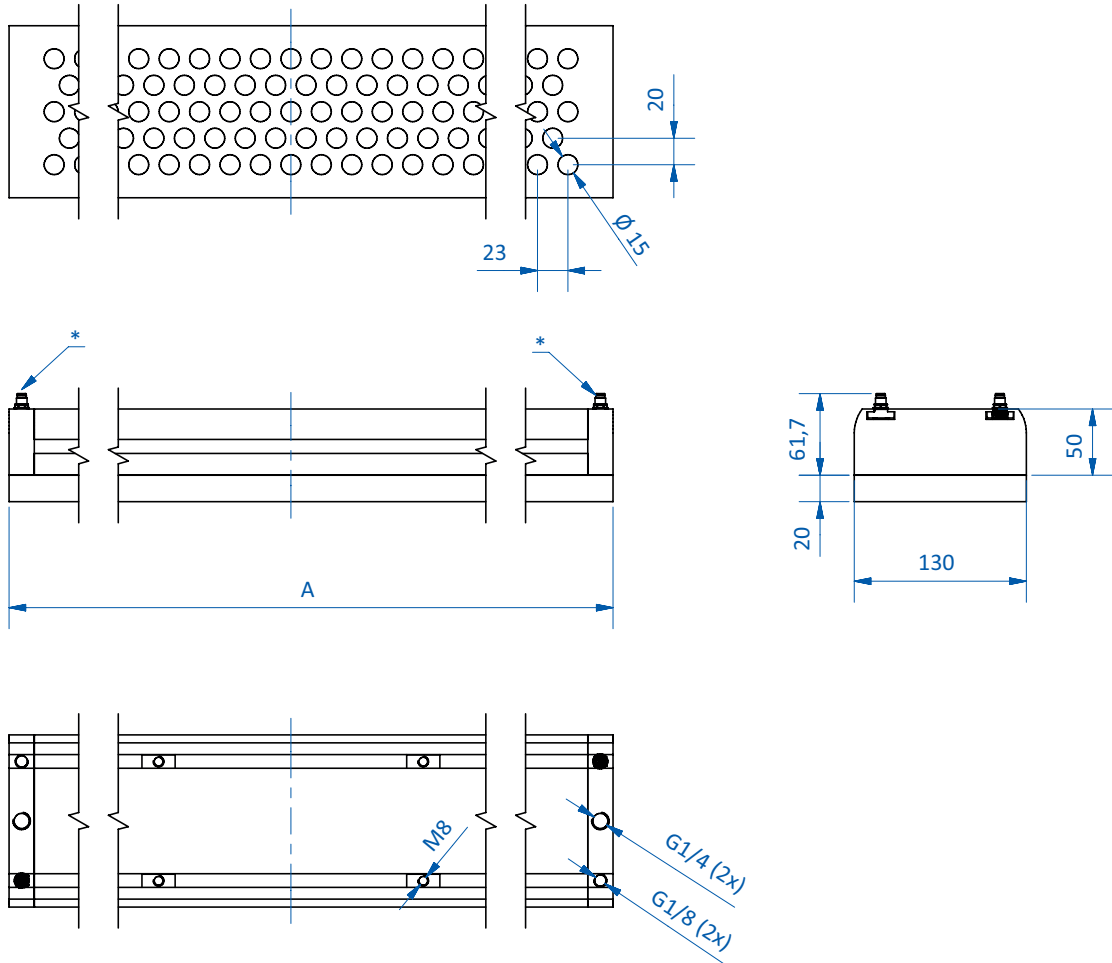
* = Control connection 4-pole M8x1



Vacuum gripping systems | Area gripper FSG

Area gripper FSG-V with internal valves

Dimensions



FSG-V.VG130.988.5F20C5 | FSG-V.VG130.1126.5F20C6 | FSG-V.VG130.1265.5F20C6 |
 FSG-V.PG130.988.5F20C5 | FSG-V.PG130.1126.5F20C6 | FSG-V.PG130.1265.5F20C6

* = Control connection 4-pole M8x1

Item no.	A [mm]
FSG-V.VG130.434.5F20C2	434
FSG-V.VG130.572.5F20C3	572
FSG-V.VG130.711.5F20C4	711
FSG-V.VG130.849.5F20C4	849
FSG-V.VG130.988.5F20C5	988
FSG-V.VG130.1126.5F20C6	1,126
FSG-V.VG130.1265.5F20C6	1,265
FSG-V.PG130.434.5F20C2	434
FSG-V.PG130.572.5F20C3	572
FSG-V.PG130.711.5F20C4	711
FSG-V.PG130.849.5F20C4	849
FSG-V.PG130.988.5F20C5	988
FSG-V.PG130.1126.5F20C6	1,126
FSG-V.PG130.1265.5F20C6	1,265