



Grippers | Sprue grippers

Series 140 – power grippers

Series 140 – power grippers



Application example: gripping of plastic flaps

Product notes

- > Clamping diameter 20 mm
- > PNP or NPN sensors with 0.3 m cable, 3-pin M8 plug and extension cable 2 m with 3-pin M8 socket & free end, included
- > Very high grip force
- > Body and jaws made of anodized aluminum
- > Principle of operation: single-acting
- > Medium: filtered and oiled/unoiled air

Technical data

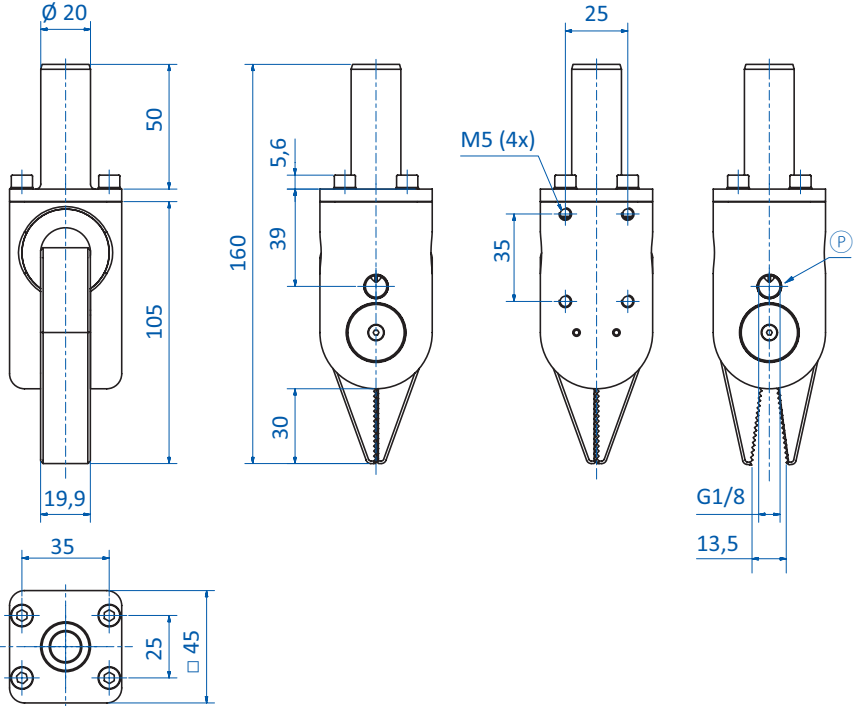
Item no.	Max. operating pressure [bar (psi)]	Sensor	Closing force at 6 bar (87 psi) [N]	Weight [g]	Accessories
GR04.140A	8 (116)	--	380	395	--
GR04.140B	8 (116)	PNP	380	405	Connector cable: 20.503 Sensor: GS04.001
GR04.140B/NPN	8 (116)	NPN	380	405	Connector cable: 20.503 Sensor: GS04.002

Installation example with side-mounted fitting

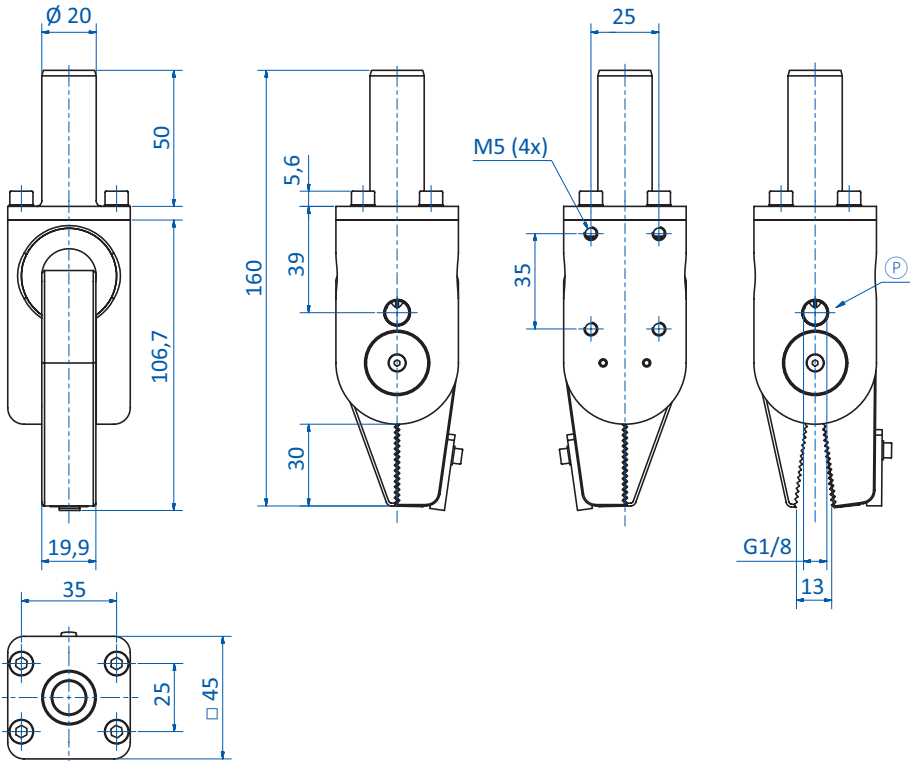




Dimensions



GR04.140A



GR04.140B | GR04.140B/NPN

Ⓟ = Compressed air connection