



Series 130 – sprue grippers, clamping diameter 20 mm – single-acting



Product notes

- > Grippers with strong gripping force and wide jaw opening for large gates
- > Tight closing for flat gates
- > Housings and gripper jaws consist of an anodized, high-strength aluminum alloy
- > Model 130 with straight gripper jaws
- > Model 130S with sawtooth profile for inclined gates
- > Model 130U for special gripper jaws; the closing force depends on the shape of the gripper jaws
- > Model 130H with replaceable HNBR pads for gentle handling
- > Model 130B with rounded gripper jaws for large/inclined gates
- > Model 130SXL sawtooth profile with extra-long jaws for long sprues
- > Model 130XW with extra wide gripper jaws for fan gates
- > Index 1N and 1P for direct monitoring; large-area sensor operation, regardless of the position of the gate in the gripper
- > Index 2N and 2P for teachable sensors, direct/indirect sensor monitoring
- > Index 3N and 3P for indirect monitoring; signal triggering if no component has been gripped; no moving parts and thus increased mechanical stability
- > Single-acting
- > Medium: filtered and oiled/non-oiled air
- > Ambient air temperature: -20°C to +80°C (-4 °F to 176 °F)
- > Ambient air temperature for sprue grippers with sensor: -20°C to +75°C (-4 °F to 167 °F)

Technical data

Item no.	Jaw	Operating pressure [bar (psi)]	Sensor	Closing force at 6 bar (87 psi) [N]	Weight [g]	Accessories
GR04.130	Standard	2.5 - 8 (36.3 - 116)	without	95	133	Extension tube: GR06.024
GR04.130-1N	Standard	2.5 - 8 (36.3 - 116)	NPN, direct monitoring, one freely adjustable switching point	95	141	Extension tube: GR06.024 Connector cable: 20.503 Sensor: GS04.002
GR04.130-1P	Standard	2.5 - 8 (36.3 - 116)	PNP, direct monitoring, one freely adjustable switching point	95	141	Extension tube: GR06.024 Connector cable: 20.503 Sensor: GS04.001
GR04.130S	Sawtooth jaws straight	2.5 - 8 (36.3 - 116)	without	95	134	Extension tube: GR06.024
GR04.130U	Universal	2.5 - 8 (36.3 - 116)	without	--	128	Extension tube: GR06.024 Exchangeable jaws: GR04.130C-1 Exchangeable jaws: GR04.130C-2 Exchangeable jaws: GR04.130C-3 Exchangeable jaws: GR04.130C-4
GR04.130H	HNBR Pad	2.5 - 8 (36.3 - 116)	without	95	137	Extension tube: GR06.024 HNBR pad: GR04.130C-4 HNBR
GR04.130H-2N	HNBR Pad	2.5 - 8 (36.3 - 116)	NPN, direct/indirect monitoring, two freely adjustable switching points teachable	95	139	Extension tube: GR06.024 Connector cable: 20.501 Sensor: GS04.006 HNBR pad: GR04.130C-4 HNBR
GR04.130H-2P	HNBR Pad	2.5 - 8 (36.3 - 116)	PNP, direct/indirect monitoring, two freely adjustable switching points teachable	95	139	Extension tube: GR06.024 Connector cable: 20.501 Sensor: GS04.005 HNBR pad: GR04.130C-4 HNBR
GR04.130B	Sawtooth jaws round	2.5 - 8 (36.3 - 116)	without	95	131	Extension tube: GR06.024



Grippers | Sprue grippers

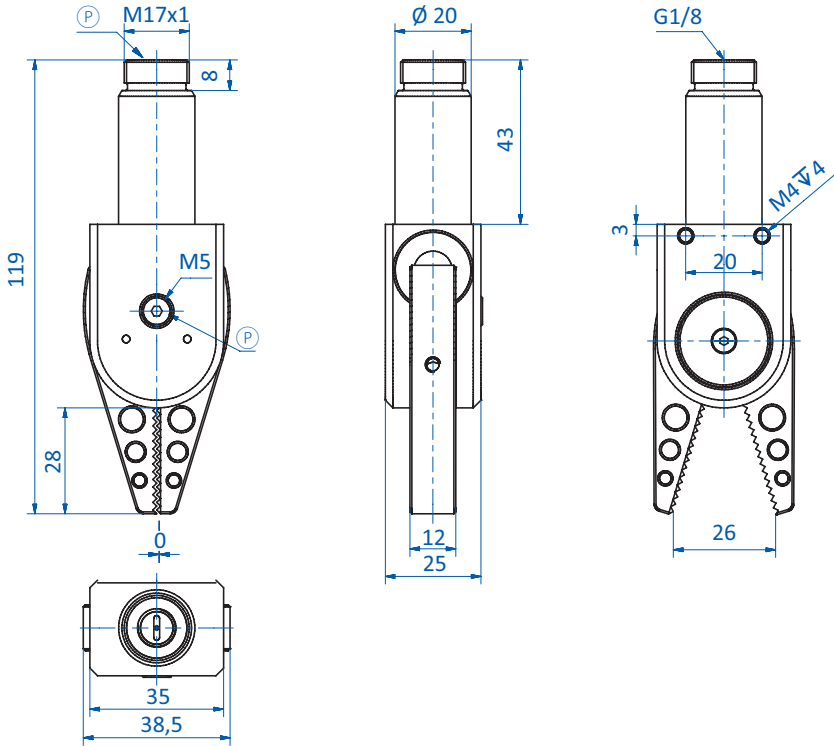
Series 130 – sprue grippers, clamping diameter 20 mm – single-acting

Technical data

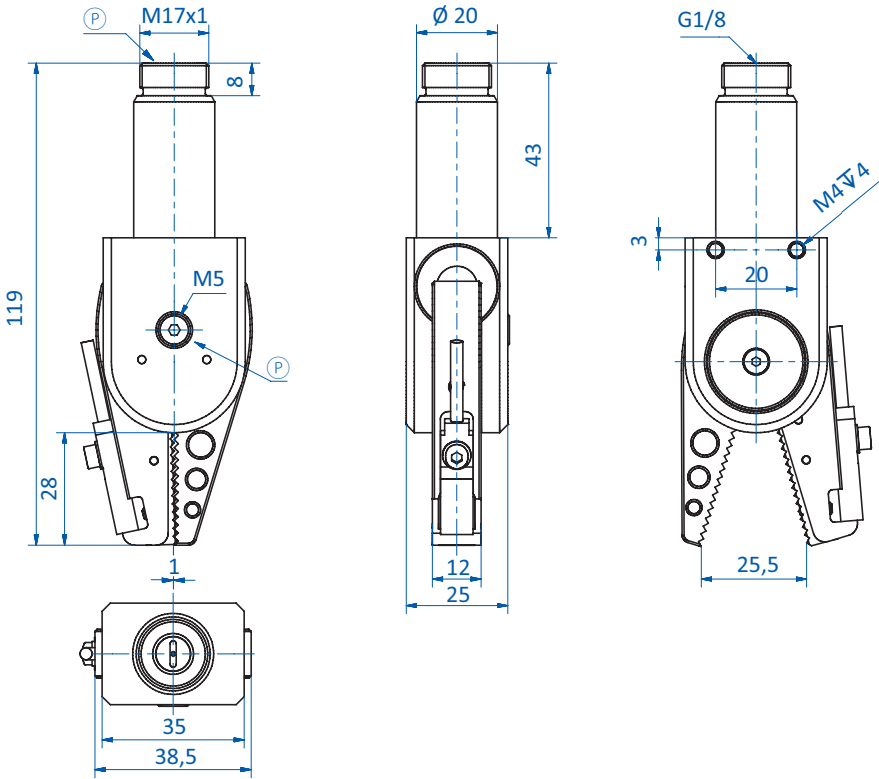
Item no.	Jaw	Operating pressure [bar (psi)]	Sensor	Closing force at 6 bar (87 psi) [N]	Weight [g]	Accessories
GR04.130B-1N	Sawtooth jaws round	2.5 - 8 (36.3 - 116)	NPN, direct monitoring, one freely adjustable switching point	95	140	Extension tube: GR06.024 Connector cable: 20.503 Sensor: GS04.002
GR04.130B-1P	Sawtooth jaws round	2.5 - 8 (36.3 - 116)	PNP, direct monitoring, one freely adjustable switching point	95	140	Extension tube: GR06.024 Connector cable: 20.503 Sensor: GS04.001
GR04.130SXL	Xlong	2.5 - 8 (36.3 - 116)	without	82	140	Extension tube: GR06.024
GR04.130SXL-2N	Xlong	2.5 - 8 (36.3 - 116)	NPN, direct/indirect monitoring, two freely adjustable switching points teachable	82	155	Extension tube: GR06.024 Connector cable: 20.501 Sensor: GS04.006
GR04.130SXL-2P	Xlong	2.5 - 8 (36.3 - 116)	PNP, direct/indirect monitoring, two freely adjustable switching points teachable	82	155	Extension tube: GR06.024 Connector cable: 20.501 Sensor: GS04.005
GR04.130XW	Xwide	2.5 - 8 (36.3 - 116)	without	95	148	Extension tube: GR06.024
GR04.130XW-2N	Xwide	2.5 - 8 (36.3 - 116)	NPN, direct/indirect monitoring, two freely adjustable switching points teachable	95	151	Extension tube: GR06.024 Connector cable: 20.501 Sensor: GS04.006
GR04.130XW-2P	Xwide	2.5 - 8 (36.3 - 116)	PNP, direct/indirect monitoring, two freely adjustable switching points teachable	95	151	Extension tube: GR06.024 Connector cable: 20.501 Sensor: GS04.005
GR04.130XW-3P	Xwide	2.5 - 8 (36.3 - 116)	PNP, indirect monitoring	95	139	Extension tube: GR06.024 Connector cable: 20.503 Sensor: GR04.203P



Dimensions



GR04.130



GR04.130-1N | GR04.130-1P

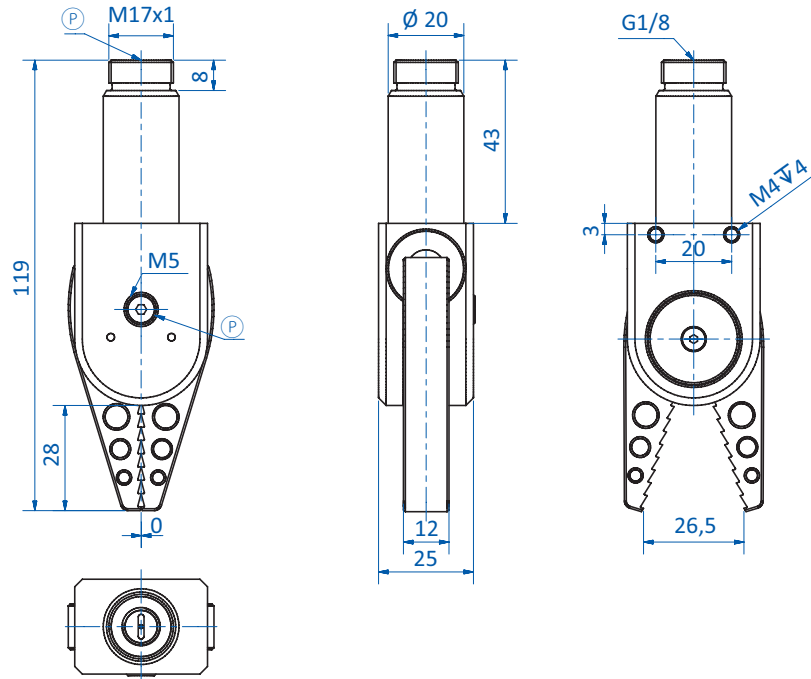
Ⓟ = Compressed air connection



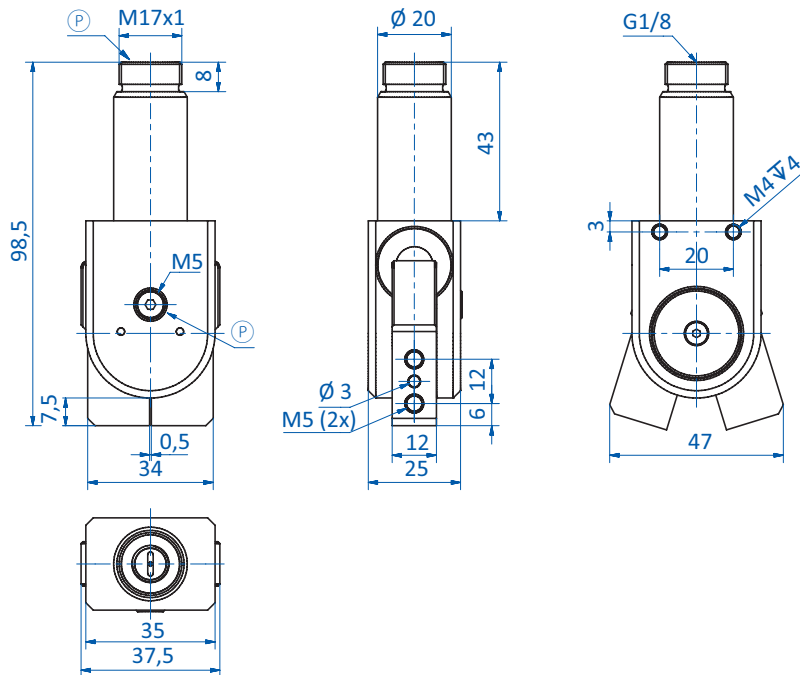
Grippers | Sprue grippers

Series 130 – sprue grippers, clamping diameter 20 mm – single-acting

Dimensions



GR04.130S

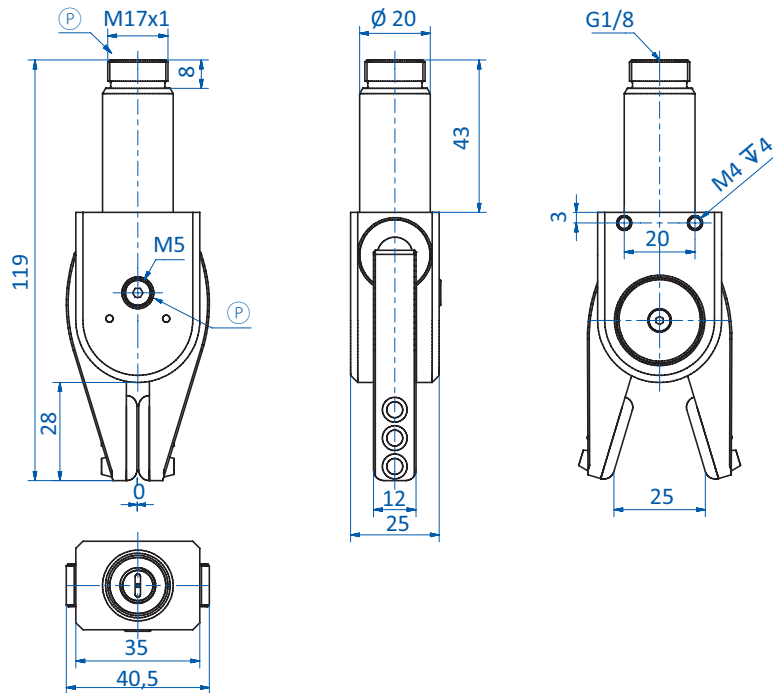


GR04.130U

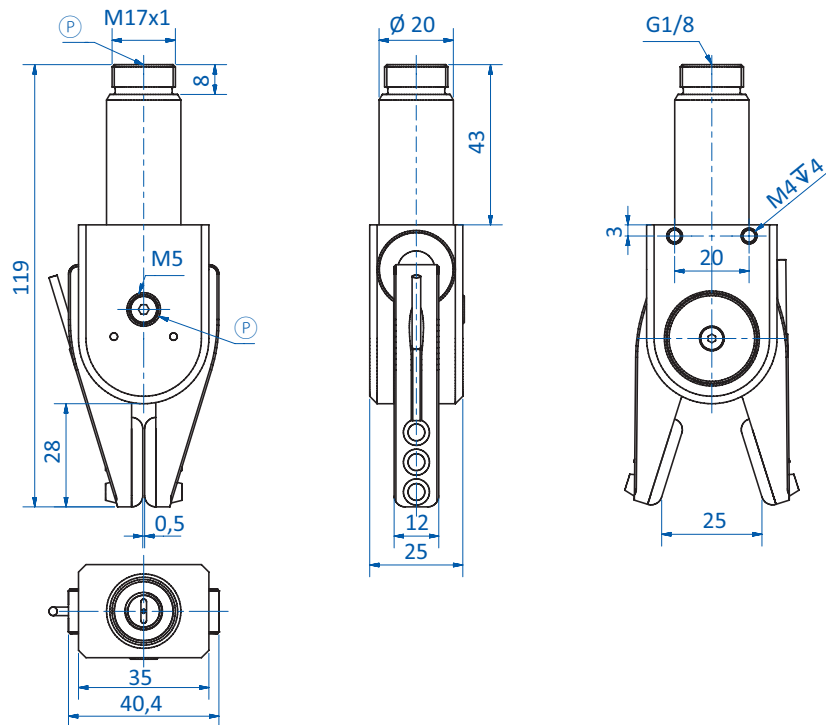
Ⓟ = Compressed air connection



Dimensions



GR04.130H



GR04.130H-2N | GR04.130H-2P

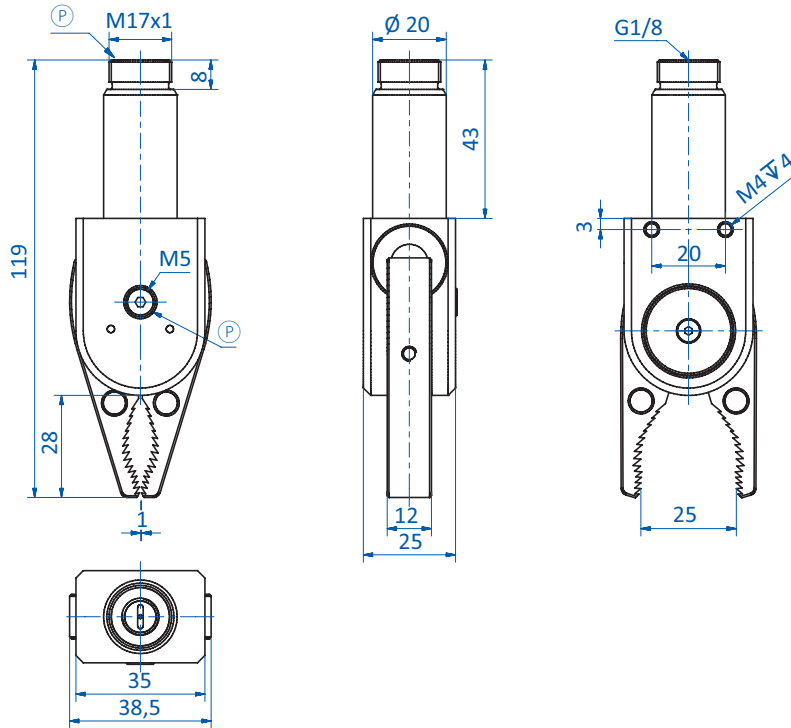
Ⓟ = Compressed air connection



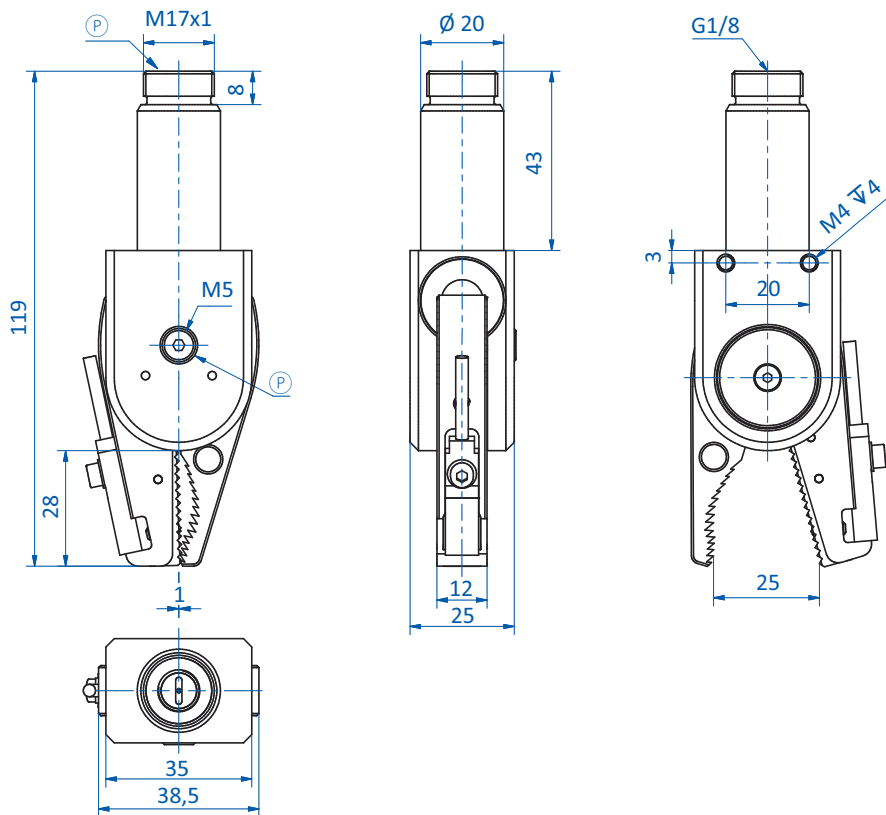
Grippers | Sprue grippers

Series 130 – sprue grippers, clamping diameter 20 mm – single-acting

Dimensions



GR04.130B

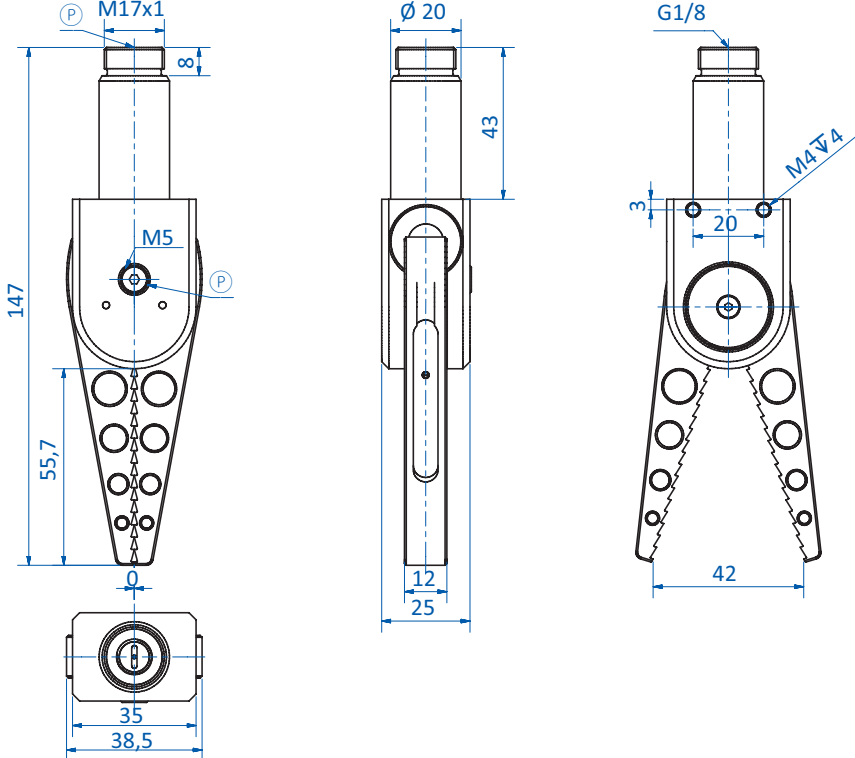


GR04.130B-1N | GR04.130B-1P

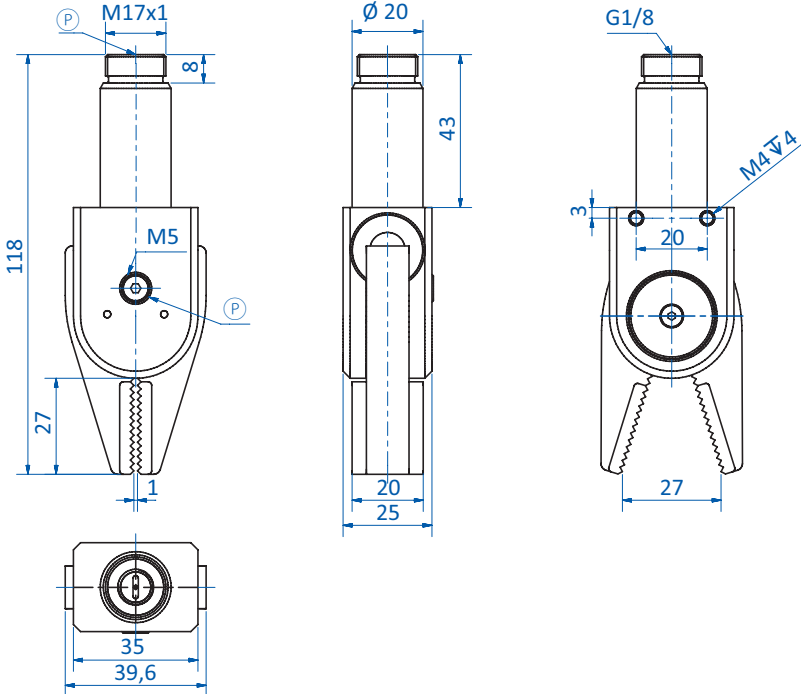
Ⓟ = Compressed air connection



Dimensions



GR04.130SXL | GR04.130SXL-2N | GR04.130SXL-2P



GR04.130XW | GR04.130XW-3P

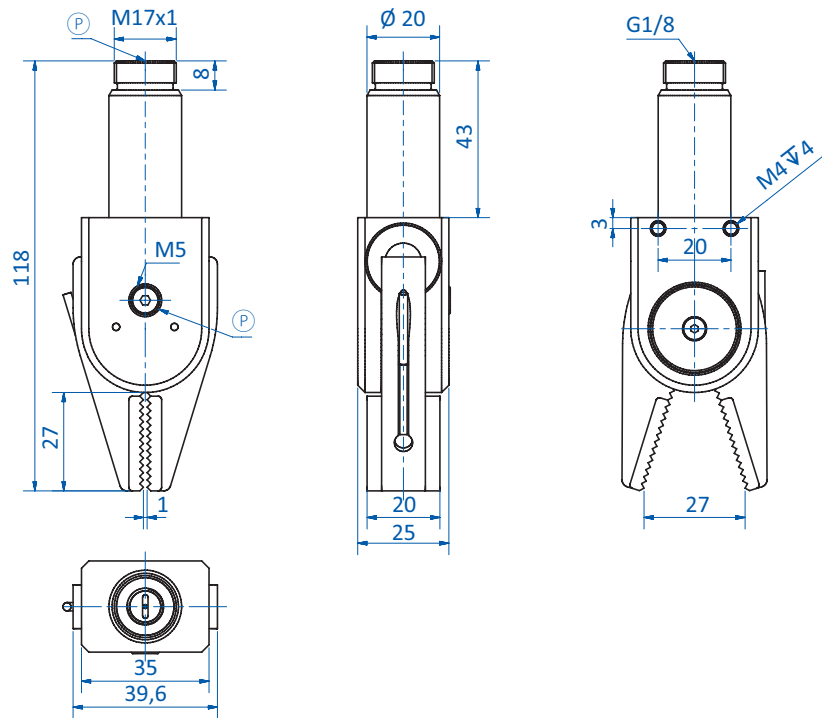
Ⓟ = Compressed air connection



Grippers | Sprue grippers

Series 130 – sprue grippers, clamping diameter 20 mm – single-acting

Dimensions

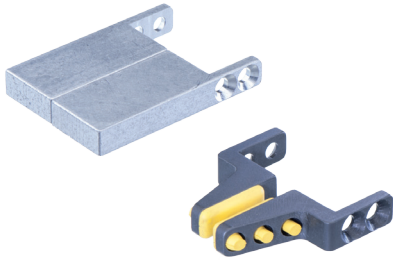


GR04.130XW-2N | GR04.130XW-2P

Ⓟ = Compressed air connection

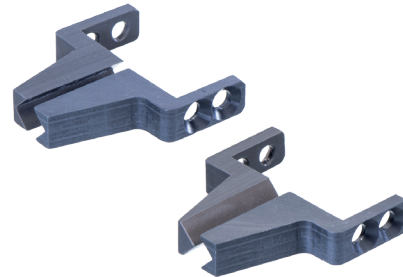


Interchangeable jaws for gripper GR04.130U



GR04.130C-1 and GR04.130C-4

* = Closing force depends on geometry of gripper jaws



GR04.130C-2 and GR04.130C-3

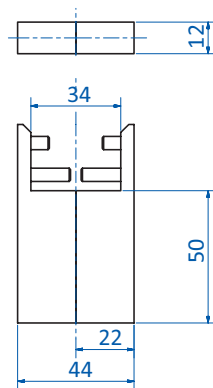
Product notes

> Interchangeable jaws for gripper GR04.130U

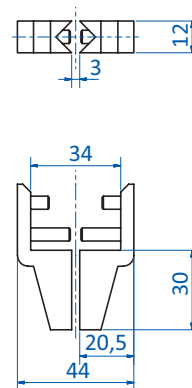
Technical data

Item no.	Jaw design	Application benefit	Weight [g]	Replacement parts
GR04.130C-1	Blank jaws	Aluminum-blanks: For customized jaw design	87	--
GR04.130C-2	V-shape	Enables axial gripping of sprues	36	--
GR04.130C-3	V-shape, prism shape	Enables three point contact when gripping conical sprues	36	--
GR04.130C-4	Jaws with HNBR pads	2 x jaws with HNBR pads – gentle gripping of sensitive components. Temperature range 0 - 160 °C (0 - 320 °F) for short term contact – up to 30 seconds	35	GR04.130C-4 HNBR

Dimensions



GR04.130C-1



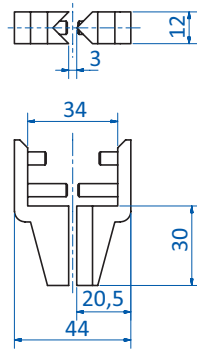
GR04.130C-2



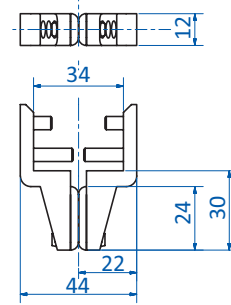
Grippers | Sprue grippers

Interchangeable jaws for gripper GR04.130U

Dimensions



GR04.130C-3



GR04.130C-4