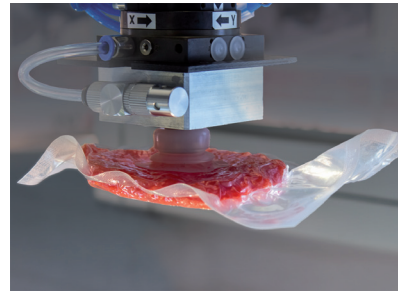




### Bellows vacuum cups, 1.5 folds – SBF-A



#### Product notes

Bellows vacuum cup with soft, very flexible single sealing lip for handling highly sensitive products with high leveling adjustment. Connection with plugged, or fixed screwed nipple or attachment frame (Ø 80 mm). Compatible "snap-in" spring leveller available.

#### Advantage

- > Large holding force
- > Fine, flexible sealing lip fits in perfectly with irregularities of the product
- > Cleats for the sealing lip prevent retraction of flexible products (e.g. films)
- > Cost-effective replacement of worn seals
- > High process reliability due to fixed, non-rotating seat of the screw nipple

#### Technical data

| Item no.  | Model     |     | Number of folds | Material / Color                          |
|---|-----------|-----|-----------------|---|
| <b>Rubber sealing lip for attachment to fitting</b> |           |     |                 |   |
| 23.006.290.*  | SBF-A -6  | 2.3 | 1.5             | NBR (sw), SI (tr), SI-AS (sw)             |
| 23.008.291.*  | SBF-A -8  | 3   | 1.5             | NBR (sw), SI (tr), SI-AS (sw)             |
| 23.010.139.*  | SBF-A -10 | 4   | 1.5             | NBR (sw), SI (tr), SI-LE (tr), SI-AS (sw) |
| 23.015.292.*  | SBF-A -15 | 4   | 1.5             | NBR (sw), SI (tr), SI-AS (sw)             |
| 23.020.140.*  | SBF-A -20 | 6   | 1.5             | NBR (sw), SI (tr), SI-LE (tr)             |
| 23.025.293.*  | SBF-A -25 | 6   | 1.5             | NBR (sw), SI (tr)                         |
| 23.030.141.*  | SBF-A -30 | 8   | 1.5             | NBR (sw), SI (tr), SI-LE (tr)             |
| 23.040.142.*  | SBF-A -40 | 9.5 | 1.5             | NBR (sw), SI (tr)                         |
| 23.050.143.*  | SBF-A -50 | 11  | 1.5             | NBR (sw), SI (tr)                         |
| 23.080.144.*  | SBF-A -80 | 10  | 1.5             | NBR (sw), SI (tr)                         |
| <b>Full vacuum cups with receptacle</b>             |           |     |                 |   |
| 22.080.161.*  | SBF-A -80 | 10  | 1.5             | NBR (sw), SI (tr)                         |

#### Accessories

##### Spare vacuum cup:

|                      |
|----------------------|
| --                   |
| --                   |
| --                   |
| --                   |
| --                   |
| --                   |
| --                   |
| --                   |
| --                   |
| --                   |
| --                   |
| 23.080.144.* (p.348) |

#### Accessories

| Item no.  | Suitable fittings |         |         |            |           |             |           |             |
|---|-------------------|---------|---------|------------|-----------|-------------|-----------|-------------|
|   | M4-male           | M5-male | M6-male | M10-female | G1/8-male | G1/8-female | G1/4-male | G1/4-female |
| <b>Rubber sealing lip for attachment to fitting</b> |                   |         |         |            |           |             |           |             |
| 23.006.290.*  | --                | 270.791 | --      | --         | --        | --          | --        | --          |
| 23.008.291.*  | --                | 270.791 | --      | --         | --        | --          | --        | --          |
| 23.010.139.*  | 270.458           | 270.134 | 270.104 | --         | --        | --          | --        | --          |
| 23.015.292.*  | 270.458           | 270.134 | 270.104 | --         | --        | --          | --        | --          |

\* When ordering please add the appropriate material code to item no. You will find it on [www.fipa.com](http://www.fipa.com).



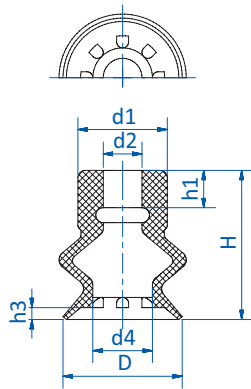
# Series | Bellows vacuum cups SB

Bellows vacuum cups, 1.5 folds – SBF-A

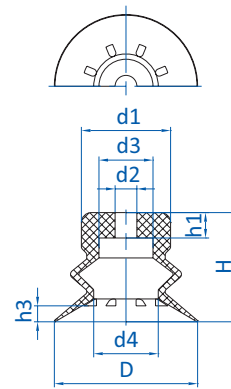
## Accessories

| Item no.                         | Suitable fittings |         |         |            |           |             |           |             |
|----------------------------------|-------------------|---------|---------|------------|-----------|-------------|-----------|-------------|
|                                  | M4-male           | M5-male | M6-male | M10-female | G1/8-male | G1/8-female | G1/4-male | G1/4-female |
| 23.020.140._*                    | --                | 270.311 | 270.459 | --         | 270.480   | 270.479     | --        | --          |
| 23.025.293._*                    | --                | 270.311 | 270.459 | --         | 270.480   | 270.479     | --        | --          |
| 23.030.141._*                    | --                | --      | 270.460 | --         | 270.482   | 270.481     | 270.483   | 270.484     |
| 23.040.142._*                    | --                | --      | 270.498 | --         | 270.486   | 270.485     | 270.487   | 270.488     |
| 23.050.143._*                    | --                | --      | 270.499 | --         | 270.490   | 270.489     | 270.491   | 270.492     |
| 23.080.144._*                    | --                | --      | --      | --         | --        | --          | --        | --          |
| Full vacuum cups with receptacle |                   |         |         |            |           |             |           |             |
| 22.080.161._*                    | --                | --      | --      | 270.088    | --        | --          | --        | 270.089     |

## Dimensions



Drawing A



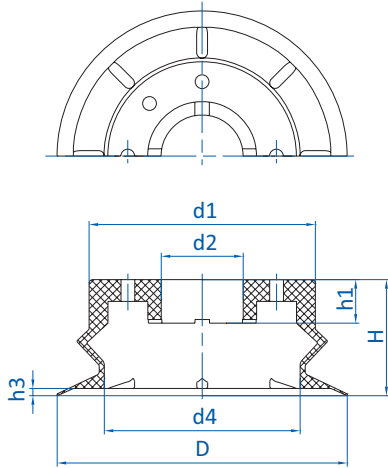
Drawing B

① = Aluminum

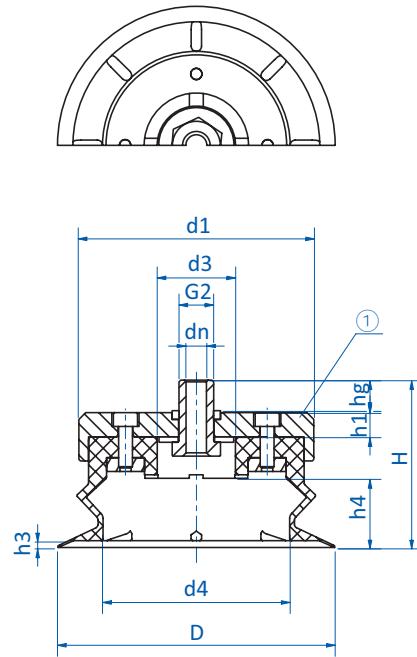
\* When ordering please add the appropriate material code to item no. You will find it on [www.fipa.com](http://www.fipa.com).



### Dimensions



Drawing C



Drawing D

① = Aluminum

| Item no.  | Drawing | Ø D [mm] | Ø d1 [mm] | Ø d2 [mm] | Ø d3 [mm] | Ø d4 [mm] | Ø dn [mm] | G2 (male) | H [mm] | h1 [mm] | h3 [mm] | h4 [mm] | hg [mm] |
|---|---------|----------|-----------|-----------|-----------|-----------|-----------|-----------|--------|---------|---------|---------|---------|
| <b>Rubber sealing lip for attachment to fitting</b> |         |          |           |           |           |           |           |           |        |         |         |         |         |
| 23.006.290.*  | A       | 6        | 6         | 2.6       | --        | 3         | --        | --        | 10     | 2.5     | 0.6     | --      | --      |
| 23.008.291.*  | A       | 8        | 6         | 2.6       | --        | 4         | --        | --        | 10     | 2.5     | 0.8     | --      | --      |
| 23.010.139.*  | B       | 10       | 10        | 4         | 6         | 5         | --        | --        | 15.5   | 3       | 1       | --      | --      |
| 23.015.292.*  | B       | 15       | 11        | 4         | 6         | 8         | --        | --        | 16     | 3       | 1.5     | --      | --      |
| 23.020.140.*  | B       | 20       | 15        | 6         | 10        | 11        | --        | --        | 19     | 4       | 2       | --      | --      |
| 23.025.293.*  | B       | 25       | 17        | 6         | 10        | 11.6      | --        | --        | 19     | 4       | 2       | --      | --      |
| 23.030.141.*  | B       | 30       | 17        | 6         | 12        | 14        | --        | --        | 23     | 5       | 2.8     | --      | --      |
| 23.040.142.*  | B       | 40       | 25        | 6         | 15        | 18        | --        | --        | 30     | 7       | 4.4     | --      | --      |
| 23.050.143.*  | B       | 50       | 30        | 6         | 21        | 21        | --        | --        | 32     | 7       | 4       | --      | --      |
| 23.080.144.*  | C       | 80       | 62        | 23        | --        | 54        | --        | --        | 32     | 12      | 2       | --      | --      |
| <b>Full vacuum cups with receptacle</b>             |         |          |           |           |           |           |           |           |        |         |         |         |         |
| 22.080.161.*  | D       | 80       | 68        | --        | 23        | 54        | 6         | M10       | 48     | 7       | 2       | 20      | 9       |

\* When ordering please add the appropriate material code to item no. You will find it on [www.fipa.com](http://www.fipa.com).