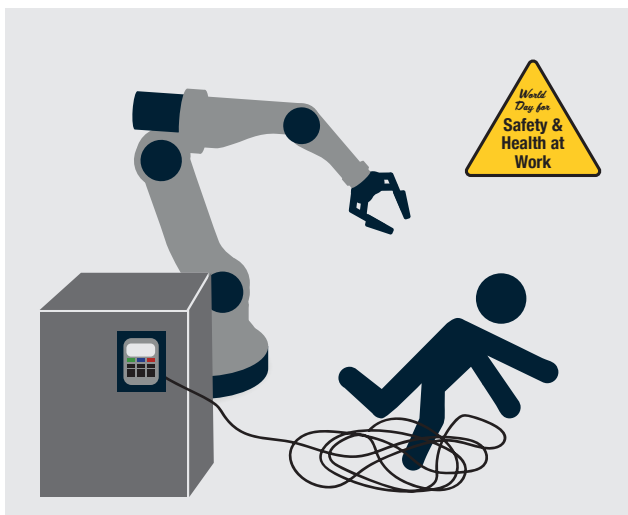


MTPReel-O™ - STÄUBLI

The automatic cable reel for enhanced workplace safety



Safety First

The connecting cable can be extended to the desired length via a catch system and automatically retracted after use. The rewinding speed is reduced via an integrated brake module, which also ensures that the cable is rewound in a safe and orderly manner. So, hazardous situations, such as trip hazards or cable damage, are now a thing of the past.



Time saving

Time is an essential success factor within the industrial sector and the MTPReel™ helps to save time due to its intuitive operation. The rapid but careful rewinding of the connector cable saves time, which your employees can dedicate to other things.



Operating error avoidance

Using the MTPReel™ will ensure that the operating device is assigned unambiguously to the operator. Lengthy searches for the correct plug-in piece and potential operating errors due to incorrect combinations are avoided.



Plant safety optimisation

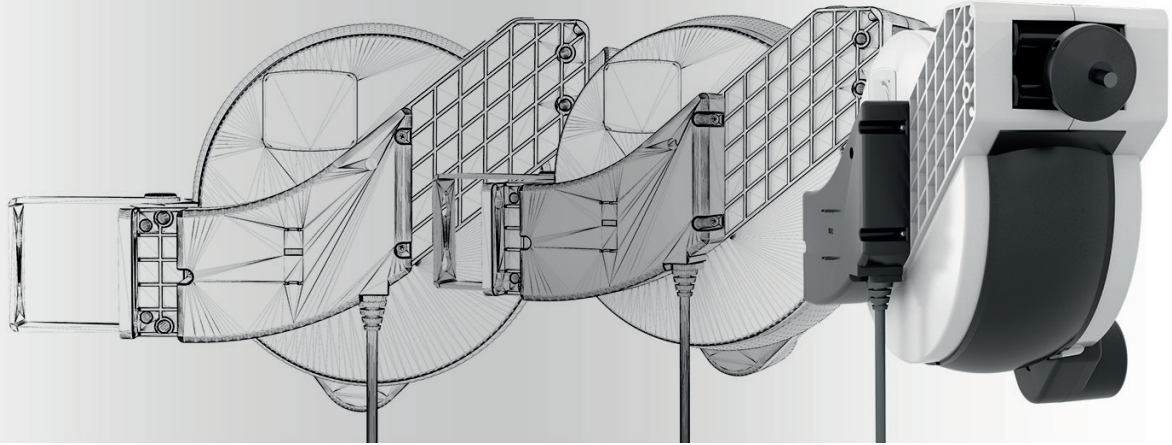
Properly storing the connector cable in the MTPReel™ protects it from dirt and accidental damage, which significantly increases its service life and improves safety within the operational facility.



Patented and tested system – made in Italy

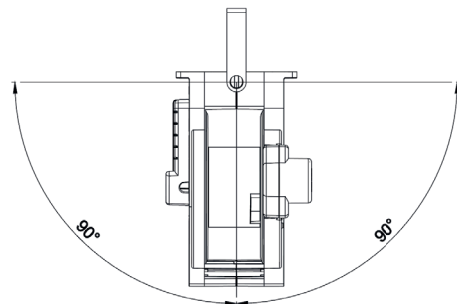
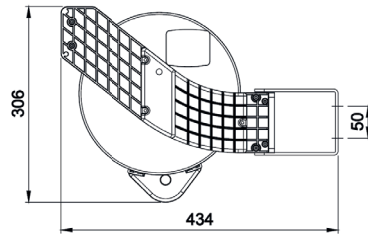
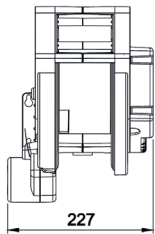
Our partner company in Italy manufactures the MTPReel™ to the highest quality standards.

Technical specifications



Robot-control	Model	Length of the extendible cable to the handheld operator panel	Length of power cable to the switch cabinet
SP1	MTPReel-O™*	max. 20 m	2,5 m/4,0 m
SP2	MTPReel-O™*	max. 20 m	2,5 m/4,0 m

* Sales only via KEBA AG
Other enclosure sizes, cable lengths and control generations on request.



Extras

- Housing made of shock-resistant material
- Stable, rotatable mounting bracket
- Integrated brake module for a careful cable retraction
- Spring loaded cable retraction system
- Detachable automatic cable release and retraction brake every 50 cm
- Rotating contact transmission system for secure data transmission

Accessories

Installation element

- Profile tube stands (rigid or rotatable)
- Control cabinet fixing plates, aluminium profiles or fence elements

Connection and extension cables

- 10 m and 20 m connection cables available for all MTPReels
- 10 m, 15 m and 20 m extension cables available for all MTPReels