

DATA SHEET

VT 4.40

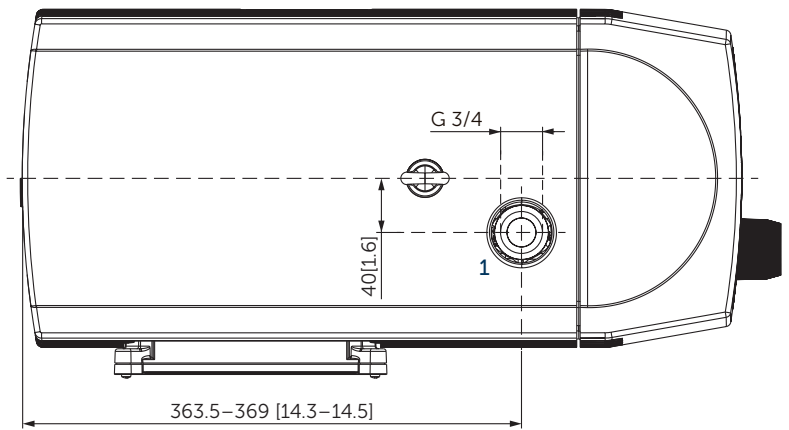
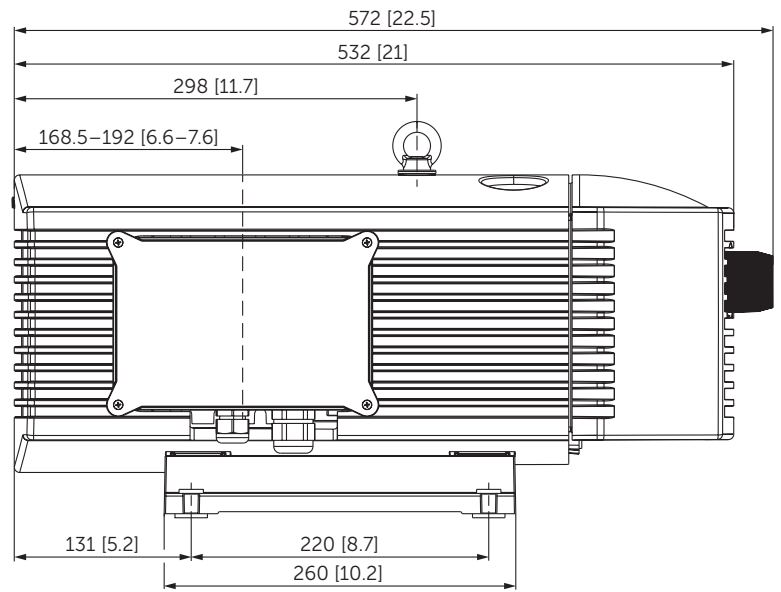
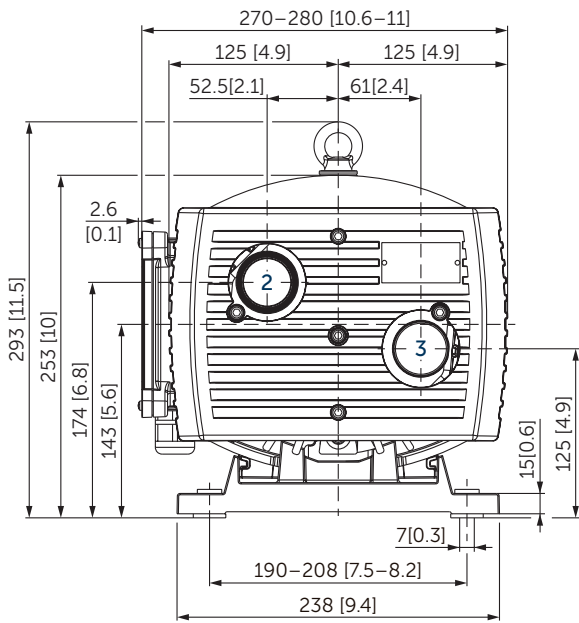
ROTARY VANE VACUUM PUMPS

oil-free

air-cooled

MAKE IT BECKER.





- 1 Vacuum connection (G³/₄)
- 2 Vacuum regulating valve
- 3 Blow-off valve
- Including integrated suction air filter
- The illustration of the terminal box may vary.
- Dimensions in mm [inch]

| Suction air rate | | Vacuum absolute | | Emission sound pressure level ¹⁾ | | Weight with motor |
|-------------------|-------|-----------------|-------|---|-------|----------------------|
| m ³ /h | | mbar | | dB(A) | | kg |
| 50 Hz | 60 Hz | 50 Hz | 60 Hz | 50 Hz | 60 Hz | |
| 40 | 48 | 150 | 150 | 67 | 72 | ≈38-41 ²⁾ |

¹⁾ According to DIN EN ISO 3744 (KpA = 3 dB(A)), 1 m [39.4 inch] distance, at medium load, both connection sides piped

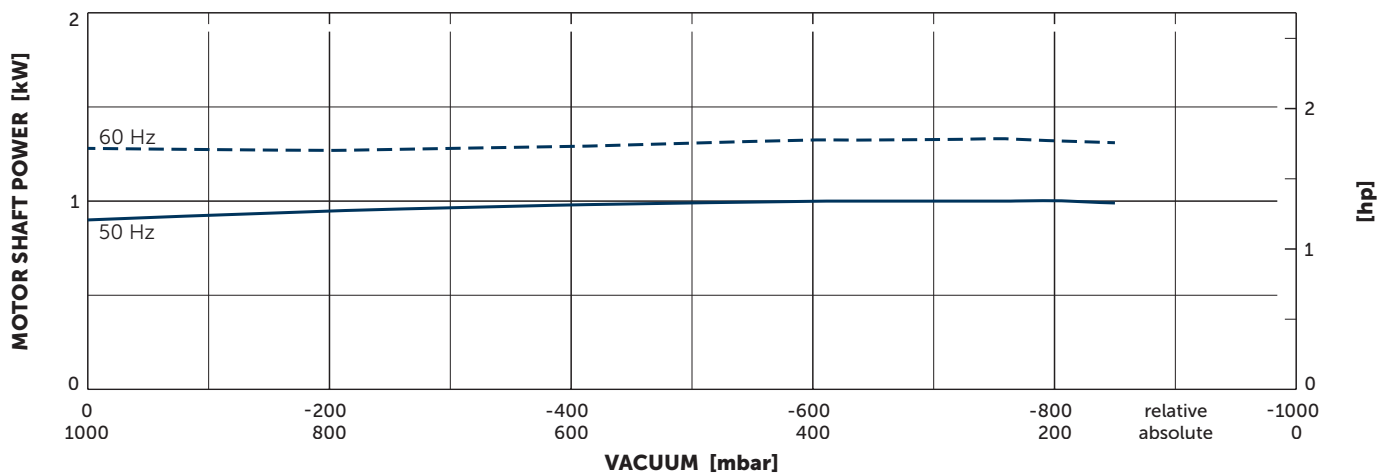
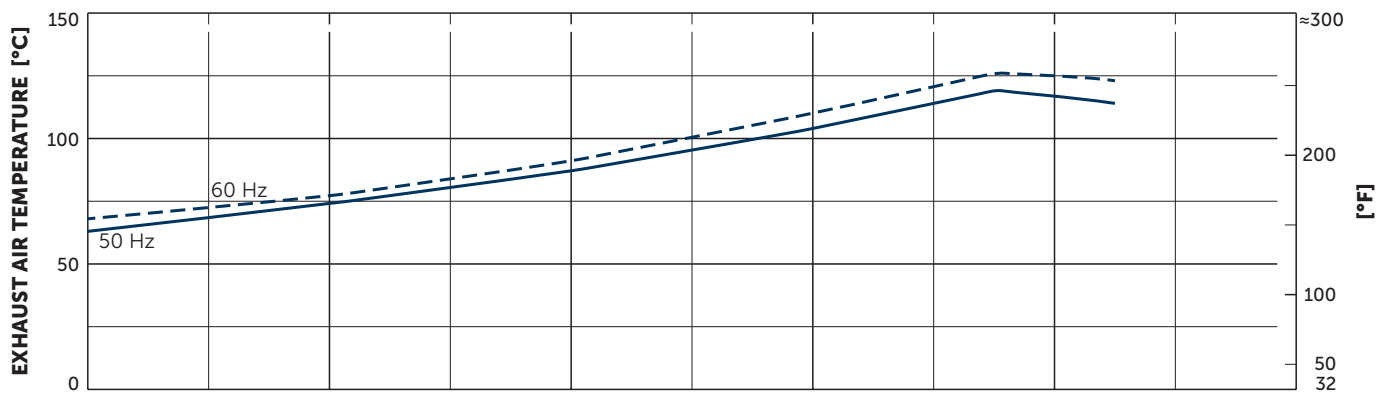
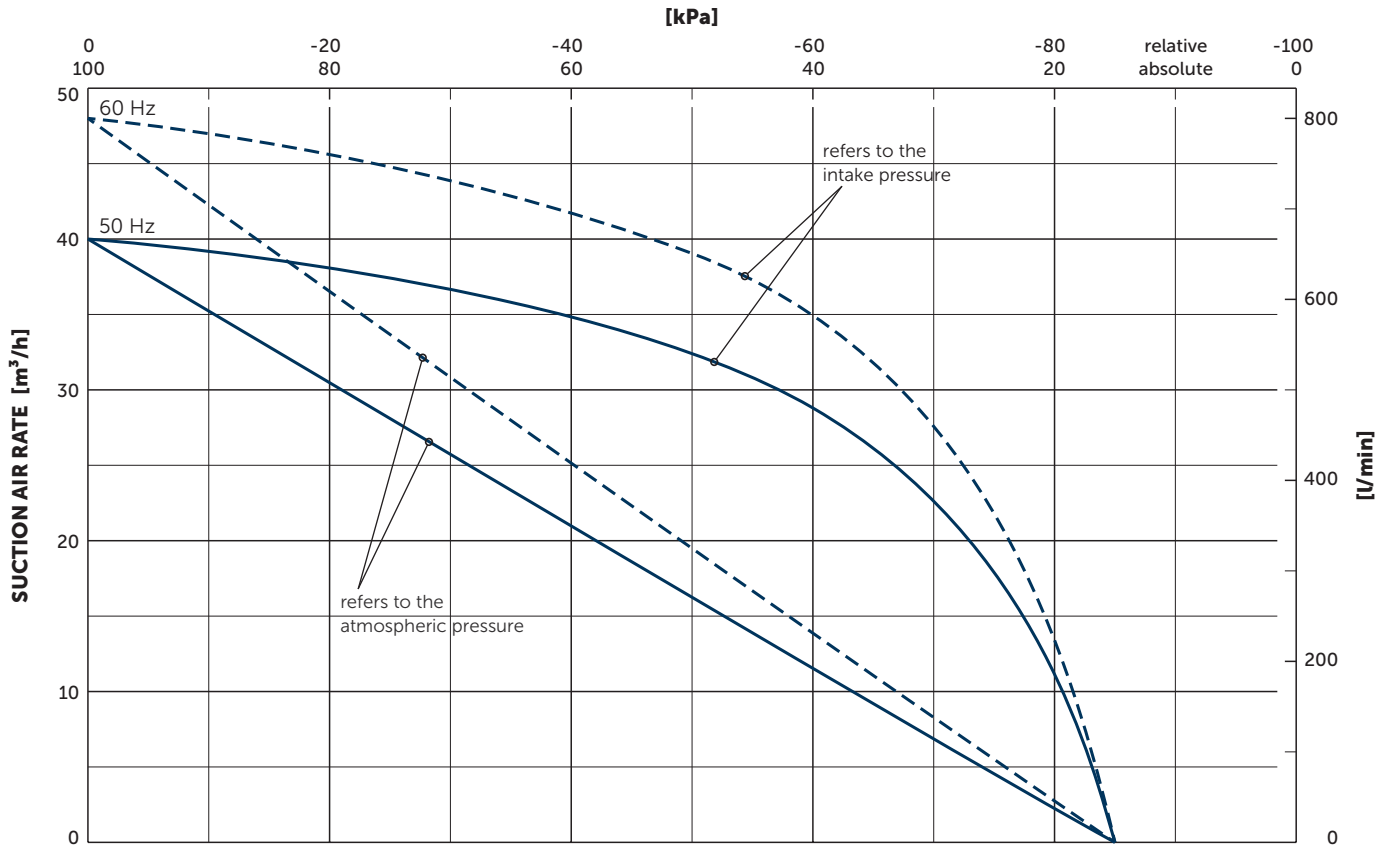
²⁾ Depending on the motor

| 3~ Motors | | | | | | | | | | | |
|-----------|-------|---------------------|-------------------|------|---------------------|-------|---------------------|-------------------|------|---------------------|--|
| # | 50 Hz | | | | | 60 Hz | | | | | Version |
| | kW | V | min ⁻¹ | A | | kW | V | min ⁻¹ | A | | |
| 01 | 1.3 | Y400 | IE3 | 1435 | 3.1 | | YY230/Y460 | IE3 | 1735 | 5.8/2.9 | UL (E113150) • CC046A IP55 • ISO F PTO bimetal 150°C |
| | | | | | | 1.5 | YY208 | IE3 | 1720 | 6.5 | |
| | | | | | | | Y400 | – | 1715 | 3.3 | |
| 02 | 1.3 | Δ200/Y350 | IE3 | 1435 | 6.4/3.7 | 1.5 | Δ220/Y380–400 | IE3 | 1735 | 6.1/3.5 | UL (E113150) • CSA IP55 • ISO F PTO bimetal 150°C |
| | | | | | | | Δ200/Y350 | – | 1720 | 6.4/3.7 | |
| 03 | 1.25 | 190–255/ 330–440 | – | 1430 | 5.2–6.2/ 3.0–3.6 | 1.5 | 190–290/ 330–500 | – | 1680 | 6.9–5.7/ 4.0–3.3 | IP54 • ISO F bimetal 150°C |
| 04 | 1.25 | 190–255/ 330–440 | – | 1430 | 5.2–6.2/ 3.0–3.6 | 1.5 | 190–290/ 330–500 | – | 1680 | 6.9–5.7/ 4.0–3.3 | UL • CSA IP54 • ISO F bimetal 150°C |

| 1~ Motor ¹⁾ | | | | | | | | | | | |
|------------------------|-------|----------|-------------------|-----|--|-------|----------|-------------------|-----|--|---|
| # | 50 Hz | | | | | 60 Hz | | | | | Version |
| | kW | V | min ⁻¹ | A | | kW | V | min ⁻¹ | A | | |
| 01 | 1.1 | 230 ±10% | 1350 | 7.6 | | 1.1 | 230 ±10% | 1620 | 7.3 | | IP54 • ISO F • bimetal 150°C 30 μF (400 V) |

¹⁾ Note reduced power of the 1~ motor!

• Current consumption and rotation speed may vary. Tolerance in each case -1.5/+2%



Reference data (atmosphere): 1000 mbar (100 kPa), 20°C (68°F)
 Tolerance: ±5%
 Air temperature: 5°C ... 45°C (41°F ... 135°F)

+ VARIANTS AND ACCESSORIES

VX 4.40

SERIES X: BECKER INNOVATION WITH TOP WARRANTY

Equipped with specially developed vanes, these oil-free rotary vane pumps distinguish themselves by high abrasion resistance, and with that extremely long service lives. Due to the low wear there is also minimal dust, so the series X pumps are perfectly suited for precision processes under clean room conditions.

This innovation branded by Becker is outstanding not only because of its 100 percent oil-free operation, excellent degree of efficiency and low power consumption.

In the area of sensitive vacuum, series X also guarantees precise low-pulsation air conduction.

Becker guarantees for these pumps a vane life-time of 20,000 operating hours or a maximum of 3 years. The enhanced longevity of X series pumps also extends service life intervals, and can cut out the need for frequent service visits with costly pump failures now no longer an issue.



ADVANTAGES

- Quick, clean and quiet
- Oil-free
- Wear resistant
- Energy saving
- Long-life reliability
- Ultimate pressure 100 mbar absolute

OTHER VARIANTS AND ACCESSORIES

- **VT 4.40/0-90** with a higher suction air rate of maximum 47/55 m³/h (50/60 Hz)¹⁾
- With external suction filter¹⁾
- Sound proof box SH 19¹⁾



Example for an external suction filter



Sound proof box SH 19

¹⁾ See separate data sheet

- Possible combinations on request



MAKE IT BECKER.