



Vacuum gripping systems | Area gripper SBX-F

Area gripper SBX-F with vacuum cups diameter 43 mm

Area gripper SBX-F with vacuum cups diameter 43 mm



Product notes

- > The area gripper for the highest demands and most difficult applications
- > For automated handling of individual products or product layers without changing grippers
- > Maximum gripping safety with the highest vacuum level and minimum coverage at the same time
- > This means that both the smallest and the largest components can be gripped safely with the same vacuum level without changing the gripper
- > Highest availability due to replacement of critical modules within seconds
- > Very short cycle times possible due to very fast suction of a workpiece
- > Particularly energy-efficient due to fully closing valves without bypass or leaks
- > Vacuum cups with \varnothing 43 mm made of NR as standard, various other vacuum cups can be supplied to customer needs
- > Customer-specific lengths from 400 to 3,000 mm possible
- > Customized grid arrangement of the vacuum cups possible

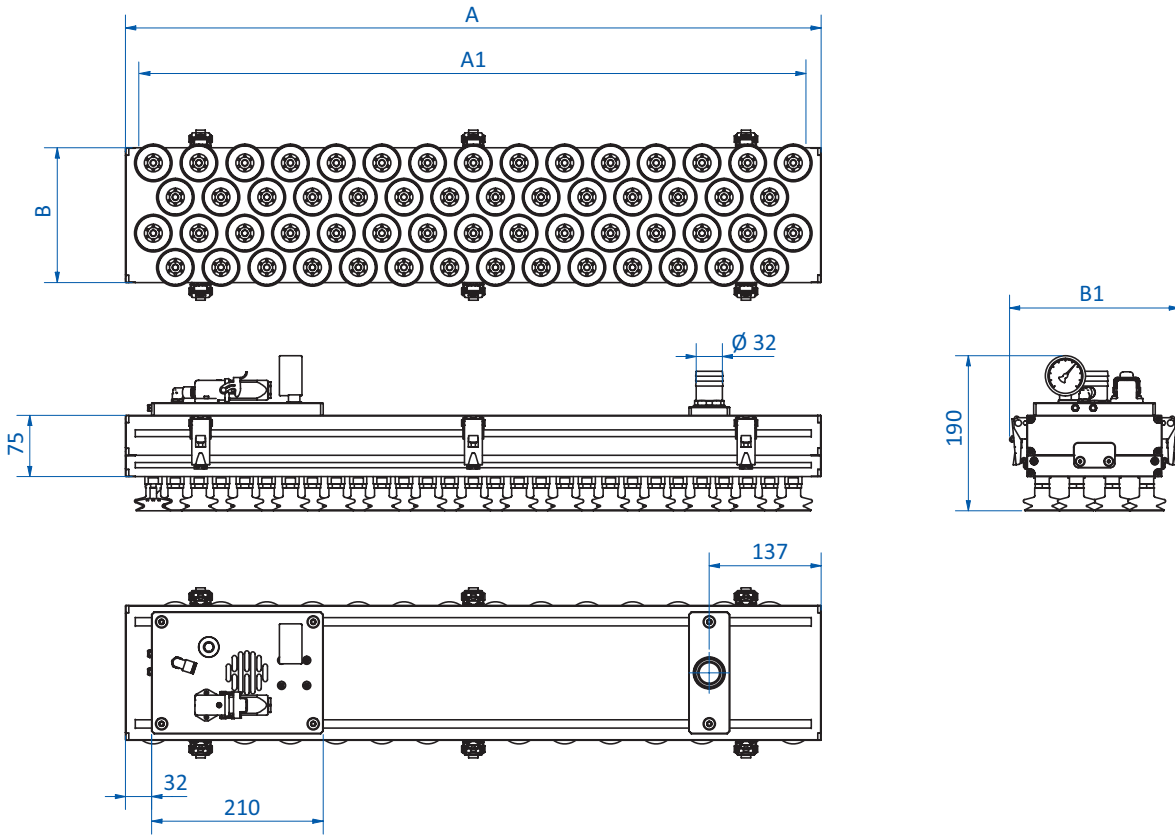
Technical data

Item no.	Total length [mm]	Width [mm]	Number of vacuum cups	Lifting force at -0.35 bar (-5.07 psi) [kg]	Lifting force at -0.6 bar (-8.7 psi) [kg]	Weight [kg]
SBX-F.130.436.3R56-VC43	460	130	23	31	53	6.6
SBX-F.130.632.3R56-VC43	656	130	33	44	76	9.9
SBX-F.130.828.3R56-VC43	852	130	44	60	102	12.2
SBX-F.130.1248.3R56-VC43	1,274	130	66	89	153	18.8
SBX-F.165.436.4R56-VC43	460	165	30	40	69	8.8
SBX-F.165.632.4R56-VC43	656	165	44	59	102	11.2
SBX-F.165.828.4R56-VC43	852	165	58	81	139	14.6
SBX-F.165.1248.4R56-VC43	1,274	165	88	119	204	20.4





Dimensions



Item no.	A [mm]	A1 [mm]	B [mm]	B1 [mm]
SBX-F.130.436.3R56-VC43	460	436	130	178
SBX-F.130.632.3R56-VC43	656	632	130	178
SBX-F.130.828.3R56-VC43	852	828	130	178
SBX-F.130.1248.3R56-VC43	1,274	1,250	130	178
SBX-F.165.436.4R56-VC43	460	436	165	208
SBX-F.165.632.4R56-VC43	656	632	165	208
SBX-F.165.828.4R56-VC43	852	828	165	208
SBX-F.165.1248.4R56-VC43	1,274	1,250	165	208