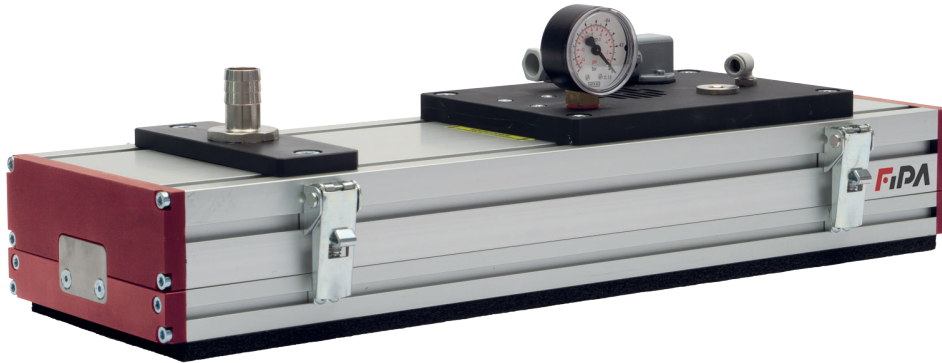




Vacuum gripping systems | Area gripper SBX-F

Area gripper SBX-F with sealing foam

Area gripper SBX-F with sealing foam



Product notes

- > The area gripper for the highest demands and most difficult applications
- > For automated handling of individual products or product layers without changing grippers
- > Maximum gripping safety with the highest vacuum level and minimum coverage at the same time
- > This means that both the smallest and the largest components can be gripped safely with the same vacuum level without changing the gripper
- > Highest availability due to replacement of critical modules within seconds
- > Very short cycle times possible due to very fast suction of a workpiece
- > Particularly energy-efficient due to fully closing valves without bypass or leaks
- > Foam made of EPDM 20 mm high (standard), various other foams can be customized
- > Customer-specific lengths from 400 to 3,000 mm possible
- > Customer-specific grid division of the suction cells possible

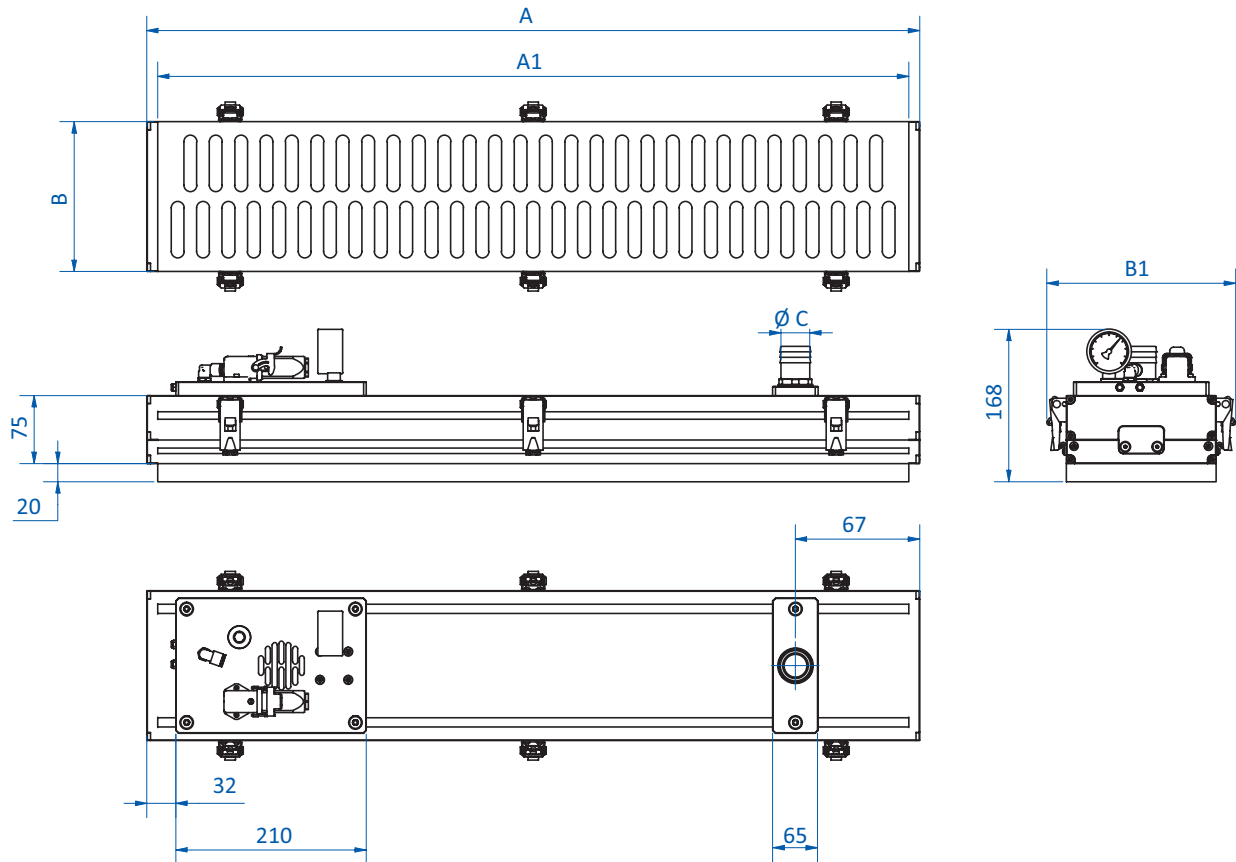
Technical data

Item no.	Total length [mm]	Width [mm]	Number of suction cells	Lifting force at -0.35 bar (-5.07 psi) [kg]	Lifting force at -0.6 bar (-8.7 psi) [kg]	Weight [kg]
SBX-F.130.436.2R28-F20	460	130	29	60	101	6
SBX-F.130.632.2R28-F20	656	130	43	90	150	9
SBX-F.130.828.2R28-F20	852	130	57	120	200	11
SBX-F.130.1248.2R28-F20	1,274	130	87	182	304	17
SBX-F.165.436.2R28-F20	460	165	29	84	145	8
SBX-F.165.632.2R28-F20	656	165	43	124	215	10
SBX-F.165.828.2R28-F20	852	165	57	165	285	13
SBX-F.165.1248.2R28-F20	1,274	165	87	252	435	18





Dimensions



Item no.	A [mm]	A1 [mm]	B [mm]	B1 [mm]	C [mm]
SBX-F.130.436.2R28-F20	460	436	130	178	32
SBX-F.130.632.2R28-F20	656	632	130	178	32
SBX-F.130.828.2R28-F20	852	828	130	178	32
SBX-F.130.1248.2R28-F20	1,274	1,250	130	178	38
SBX-F.165.436.2R28-F20	460	436	165	208	32
SBX-F.165.632.2R28-F20	656	632	165	208	32
SBX-F.165.828.2R28-F20	852	828	165	208	32
SBX-F.165.1248.2R28-F20	1,274	1,250	165	208	38