



Series | Special vacuum cups SX

High temperature vacuum cups with felt pad – SX-F

High temperature vacuum cups with felt pad – SX-F

**HEAT RESISTANT
& LOW MARKING**



Product notes

Almost mark-free special vacuum cup for high temperature requirements, e.g. in the glass industry. Special felt pad vulcanized to elastomer carrier. Migration of silicone particles is prevented by vapour-deposited aluminum layer. Connection up to Ø 70 mm by means of plug-in nipple, from Ø 90 mm with bolted bracket plate.


Advantage

- > Temperature-resistant up to 500 °C (932 °F) (SI)
- > Almost mark-free
- > Cost-effective replacement of worn seals


Notes:

There is a small leak at first use resulting from the texture of the special felt, but after a brief period of use this will be significantly reduced by the thickening of the felt layer.

Technical data

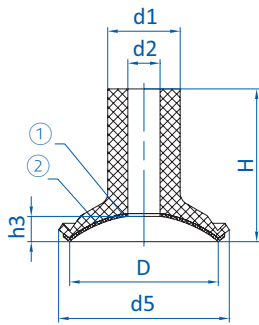
Item no.	Model / Lip dimensions	 Weight [g]	Max. operating temperature [°C (°F)]	Material / Color	Number of folds
26.025.009._*	SX-F-25	2 6	500 (932)	SI (tr/ge)	--
26.037.010._*	SX-F-40	3 10	500 (932)	SI (tr/ge)	--
26.070.011._*	SX-F-70	7 24	500 (932)	SI (tr/ge)	--
26.090.001._*	SX-F-90	17 80	500 (932)	SI (tr/ge)	1.5

Accessories

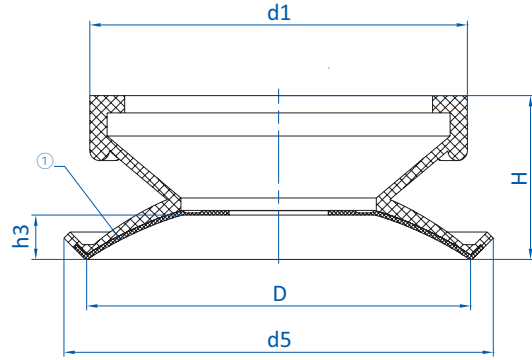
Item no.	 Suitable fittings				
	G1/8-male	G1/8-female	G1/4-male	G1/4-female	G3/8-female
26.025.009._*	270.132	270.114	270.208	270.178	--
26.037.010._*	270.132	270.114	270.208	270.178	--
26.070.011._*	270.132	270.114	270.208	270.178	--
26.090.001._*	--	--	--	--	270.400



Dimensions



Drawing A



Drawing B

① = Felt pads ② = For silicone vacuum cups: Silicone blocker through evaporated aluminum layer

Item no.	Drawing	Ø D [mm]	Ø d1 [mm]	Ø d2 [mm]	Ø d5 [mm]	H [mm]	h3 [mm]
26.025.009._*	A	24	16	8	29	36	3.3
26.037.010._*	A	37	18	8	42	38	6.5
26.070.011._*	A	67	21	8	71	36	8
26.090.001._*	B	89	87	--	99	38	10.5