



Series | Oval vacuum cups SO

Oval vacuum suction plates – SOPL-S and SOPL-A

Oval vacuum suction plates – SOPL-S and SOPL-A



Product description

Oval vacuum cups, vulcanized, on a carrier plate of steel / aluminum for the handling of long, narrow products such as strips, profiles or frames. Rubberized support surfaces prevent deformation of the product and increase lateral stability.


Advantage

- > High suction force on a small footprint
- > Low-marking
- > High process reliability due to vulcanized carrier plate
- > Individual machine connection possible

Ordering notes:

Customized drilling patterns available on request for Series SOPL-S

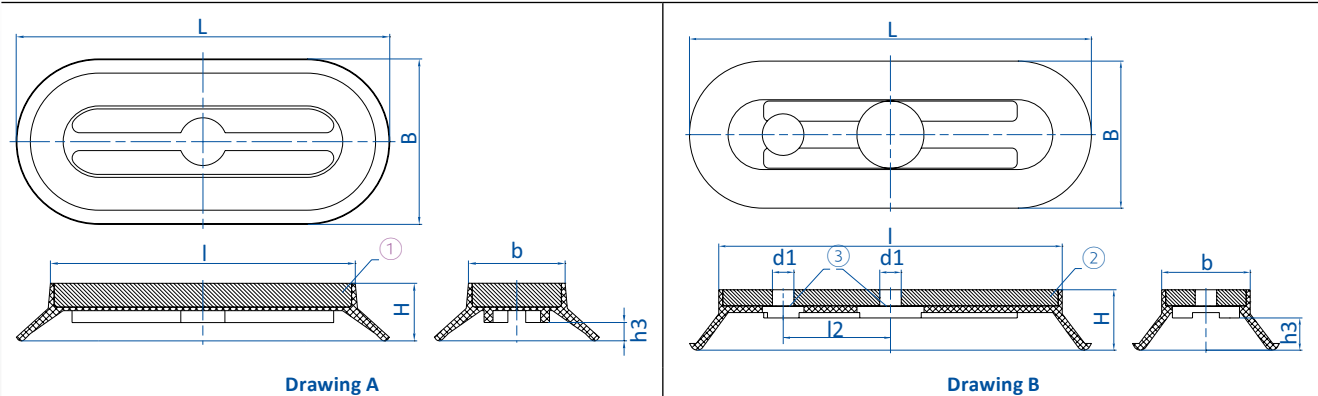
Technical data

Item no.	Model / Lip dimensions	Material / Colour		Weight [g]	Support surfaces
SOPL-S: NBR material, grey, with steel carrier plate					
9.200x40.010.*	SOPL-S-200x40	NBR (gr)	9	140	lengthwise
9.110x40.009.*	SOPL-S-110x40	NBR (gr)	9	122	lengthwise
9.125x55.012.*	SOPL-S-125x55	NBR (gr)	9	320	lengthwise
9.150x55.013.*	SOPL-S-150x55	NBR (gr)	7	255	lengthwise
9.200x55.014.*	SOPL-S-200x55	NBR (gr)	7	538	lengthwise
9.250x55.016.*	SOPL-S-250x55	NBR (gr)	8	770	lengthwise
9.300x55.019.*	SOPL-S-300x55	NBR (gr)	8	902	lengthwise
9.370x70.022.*	SOPL-S-370x70	NBR (gr)	10	1,895	lengthwise
9.200x100.015.*	SOPL-S-200x100	NBR (gr)	8	595	lengthwise
9.280x100.017.*	SOPL-S-280x100	NBR (gr)	10	1,880	lengthwise
9.450x130.025.*	SOPL-S-450x130	NBR (gr)	6	2,660	crosswise
9.430x180.024.*	SOPL-S-430x180	NBR (gr)	6	3,720	selective
9.580x180.029.*	SOPL-S-580x180	NBR (gr)	10	3,500	lengthwise
SOPL-A: NR material, orange, with aluminum carrier plate					
9.100x55.020.*	SOPL-A-100x55	NR (or)	8	65	lengthwise
9.150x55.083.*	SOPL-A-150x55	NR (or)	8	114	lengthwise
9.200x55.020.*	SOPL-A-200x55	NR (or)	8	159	lengthwise
9.300x55.046.*	SOPL-A-300x55	NR (or)	8	300	lengthwise

* When ordering please add the appropriate material code to item no. You will find it on www.fipa.com.



Dimensions



① = Steel ② = Aluminum ③ = Sealed with rubber

Item no.	Drawing	L [mm]	B [mm]	l [mm]	l2 [mm]	b [mm]	Ø d1 [mm]	H [mm]	h3 [mm]
SOPL-S: NBR material, grey, with steel carrier plate									
9.200x40.010._*	A	195	36	176	--	15	--	19	6
9.110x40.009._*	A	113	43	87	--	17	--	19	8.5
9.125x55.012._*	A	126	56	103	--	33	--	19	6
9.150x55.013._*	A	151	56	128	--	33	--	19	6
9.200x55.014._*	A	200	55	178	--	33	--	19	6.3
9.250x55.016._*	A	250	55	228	--	33	--	19	6
9.300x55.019._*	A	300	55	227	--	33	--	19	6
9.370x70.022._*	A	378	82	349	--	53	--	26	9
9.200x100.015._*	A	190	90	161	--	61	--	22	8.5
9.280x100.017._*	A	278	100	250	--	72	--	25	9
9.450x130.025._*	A	449	131	420	--	102	--	20	6.5
9.430x180.024._*	A	430	180	402	--	158	--	20	6
9.580x180.029._*	A	579	179	570	--	150	--	25	9
SOPL-A: NR material, orange, with aluminum carrier plate									
9.100x55.020._*	B	99	54	78	25	33	8	22.5	9
9.150x55.083._*	B	150	55	128	40	33	8	22.5	9
9.200x55.020._*	B	201	56	178	50	33	8	22.5	9
9.300x55.046._*	B	300	55	278	100	33	8	22.5	9

* When ordering please add the appropriate material code to item no. You will find it on www.fipa.com.