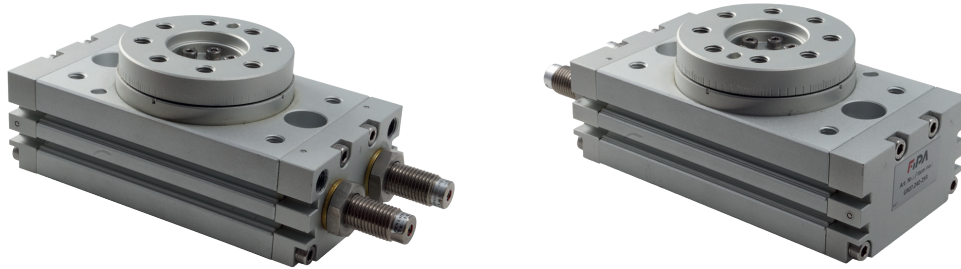


Rotary units



Product notes

- > Locating hole for precise assembly
- > Wide operating range of 0°-190° (adjustable)
- > Compact integration with central feed-through for piping or cables
- > Optional shock absorbers for increased service life
- > Optional sensors ensure reliable process

Technical data

Item no.	Piston diameter [mm]	Connection thread	Max. operating pressure [bar (psi)]	Operating temperature [°C (°F)]	Weight [g]
GR07.240-12	12	M5	7 (101.5)	0 - 60 (32 - 140)	250
GR07.240-16	16	M5	10 (145)	0 - 60 (32 - 140)	600
GR07.240-16R	16	M5	6 (87)	0 - 60 (32 - 140)	610
GR07.240-20	20	G1/8	10 (145)	0 - 60 (32 - 140)	1,240
GR07.240-20R	20	G1/8	6 (87)	0 - 60 (32 - 140)	1,310
GR07.240-25	25	G1/8	10 (145)	0 - 60 (32 - 140)	2,100
GR07.240-25R	25	G1/8	6 (87)	0 - 60 (32 - 140)	2,120
GR07.240-32	32	G1/8	10 (145)	0 - 60 (32 - 140)	4,180
GR07.240-32R	32	G1/8	6 (87)	0 - 60 (32 - 140)	4,190
GR07.240-40	40	G1/8	10 (145)	0 - 60 (32 - 140)	7,670
GR07.240-40R	40	G1/8	6 (87)	0 - 60 (32 - 140)	7,720

Suitable sensors

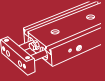
- > GR04.280P: 90° angled PNP
- > GR04.280N: 90° angled NPN
- > GR04.202P: straight PNP
- > GR04.202N: straight NPN

Model selection

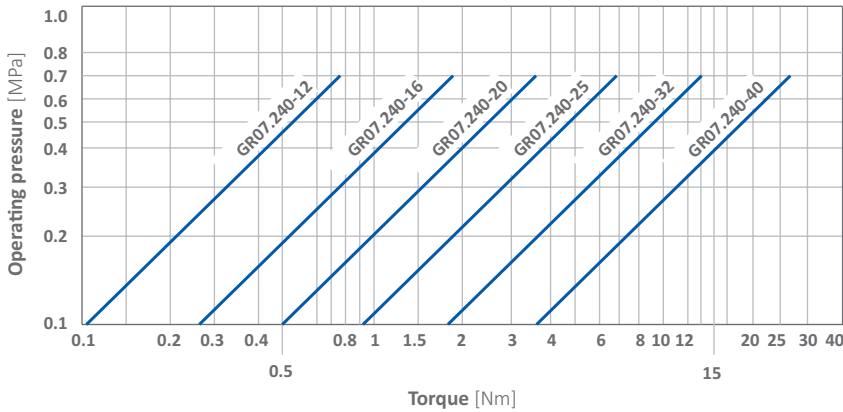
Ordering example:

- GR07.240-16 = Piston diameter 16 mm with Rubber buffer
 GR07.240-16R = Piston diameter 16 mm with Shock absorber

Item	Piston diameter	Type
GR07.240	-12 = 12 mm	without = with Rubber buffer R = with Shock absorber
	-16 = 16 mm	
	-20 = 20 mm	
	-25 = 25 mm	
	-32 = 32 mm	
	-40 = 40 mm	

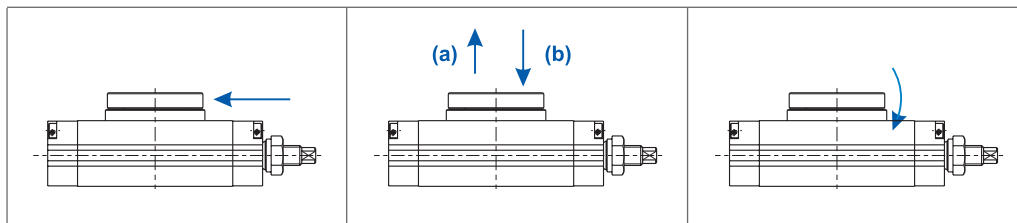


Torque

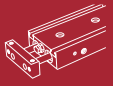


Allowable loads

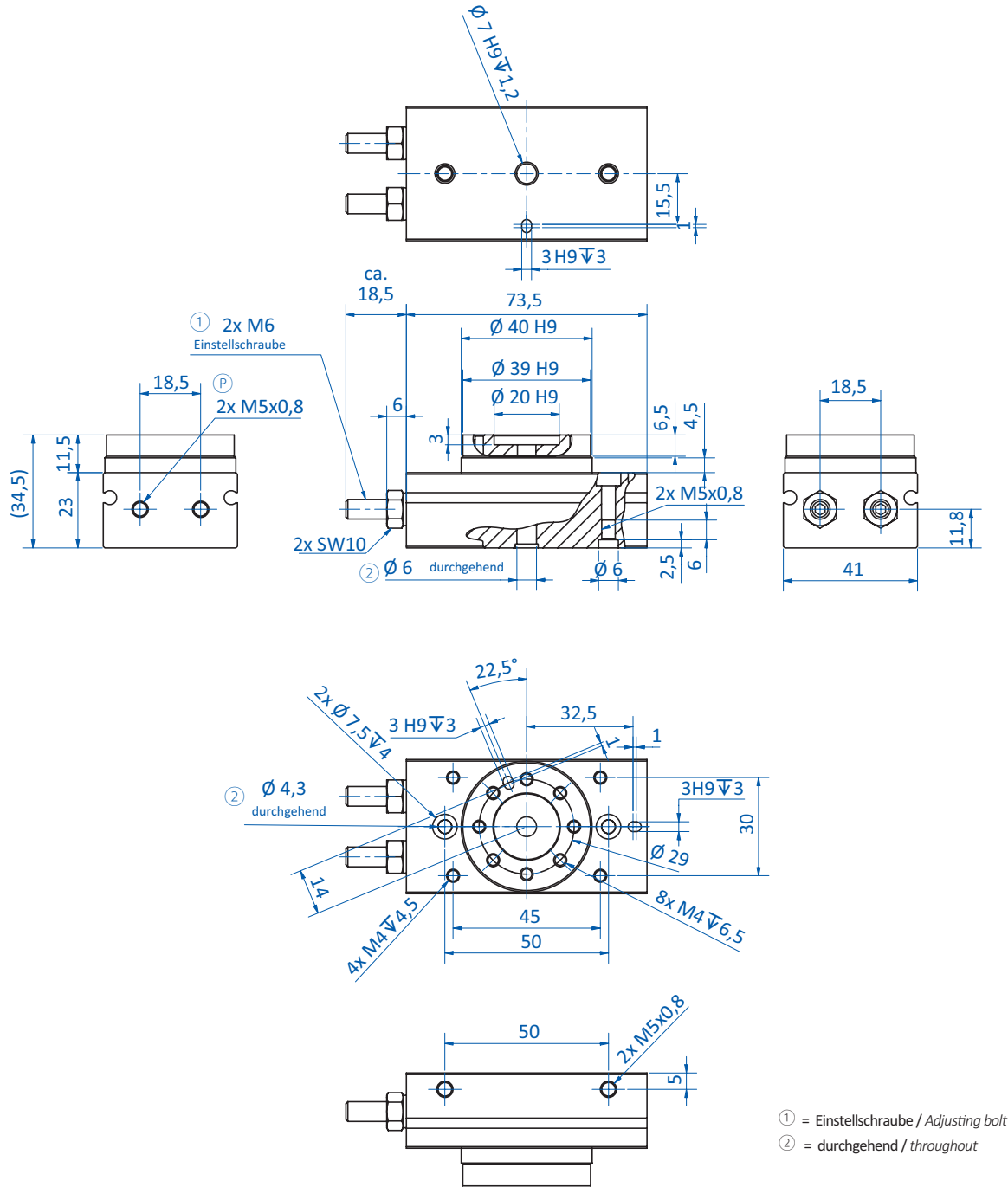
Set the load and moment to be applied to the table within the allowable values shown in the table below.
 (Values outside of limitations will cause excessive play, deteriorate accuracy, and shorten service life.)



Item no.	Allowable radial load [N]	Allowable thrust load [N]		Allowable moment [Nm]
		(a)	(b)	
GR07.240-12	54	71	71	1.5
GR07.240-16	78	74	78	2.4
GR07.240-20	196	197	363	5.3
GR07.240-25	314	296	451	9.7
GR07.240-32	390	493	708	18
GR07.240-40	543	740	1009	25



Dimensions



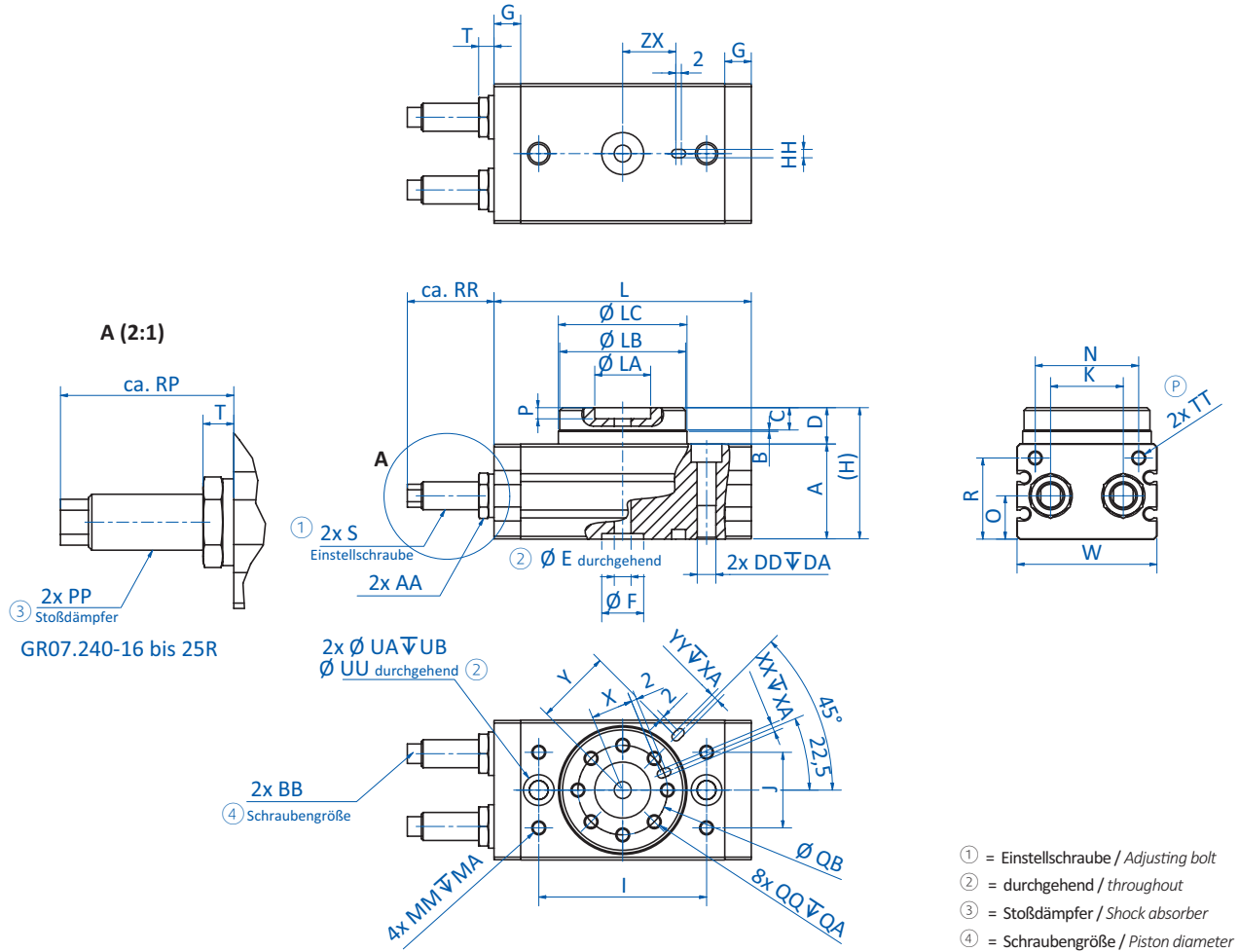
- ① = Einstellschraube / Adjusting bolt
② = durchgehend / throughout

GR07.240-12

Ⓟ = Compressed air connection



Dimensions



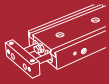
Code	A	AA	B	BB	C	D	DA	DD	E	F	G	H	HH	I	J	K	L	LA	LB	LC	MA	MM	N
-16	34	14	4,5	7	8	13	12	M8×1,25	6	15H9	9,5	47	3H9×3,5	60	27	26	92	20H9	45h9	46h9	8	M5×0,8	37
-20	40	17	6,5	7	10	17	15	M10×1,5	10	22H9	12	57	4H9×4,5	84	37	32	127	32H9	65h9	67h9	8	M6×1	54
-25	46	22	7,5	8	12	20	18	M12×1,75	13	26H9	15,5	66	5H9×5,5	100	50	37	152	35H9	75h9	77h9	8	M8×1,25	63

Code	O	P	PP	QA	QB	QQ	R	RP	RR	S	T	TT	UA	UB	UU	W	X	XA	XX	Y	YA	YY	ZX
-16	15.5	4	FK-1008L-S	8	32	M5×0,8	29	29	31	M10×1,0	5,5	M5×0,8	11	6,5	6,8	50	15	3,5	3H9	27	3,5	3H9	19
-20	19.5	4,5	FK-1008L-S	10	48	M6×1,0	33	23.5	26	M10×1,0	4,5	G1/8	14	8,5	8,6	70	23	4,5	4H9	39	4,5	4H9	28
-25	22	5	FK-1412L-S	12	55	M8×1,25	37.5	33	31.2	M14×1,5	7,5	G1/8	18	10,5	10,5	80	26,5	5,5	5H9	45	5,5	5H9	33

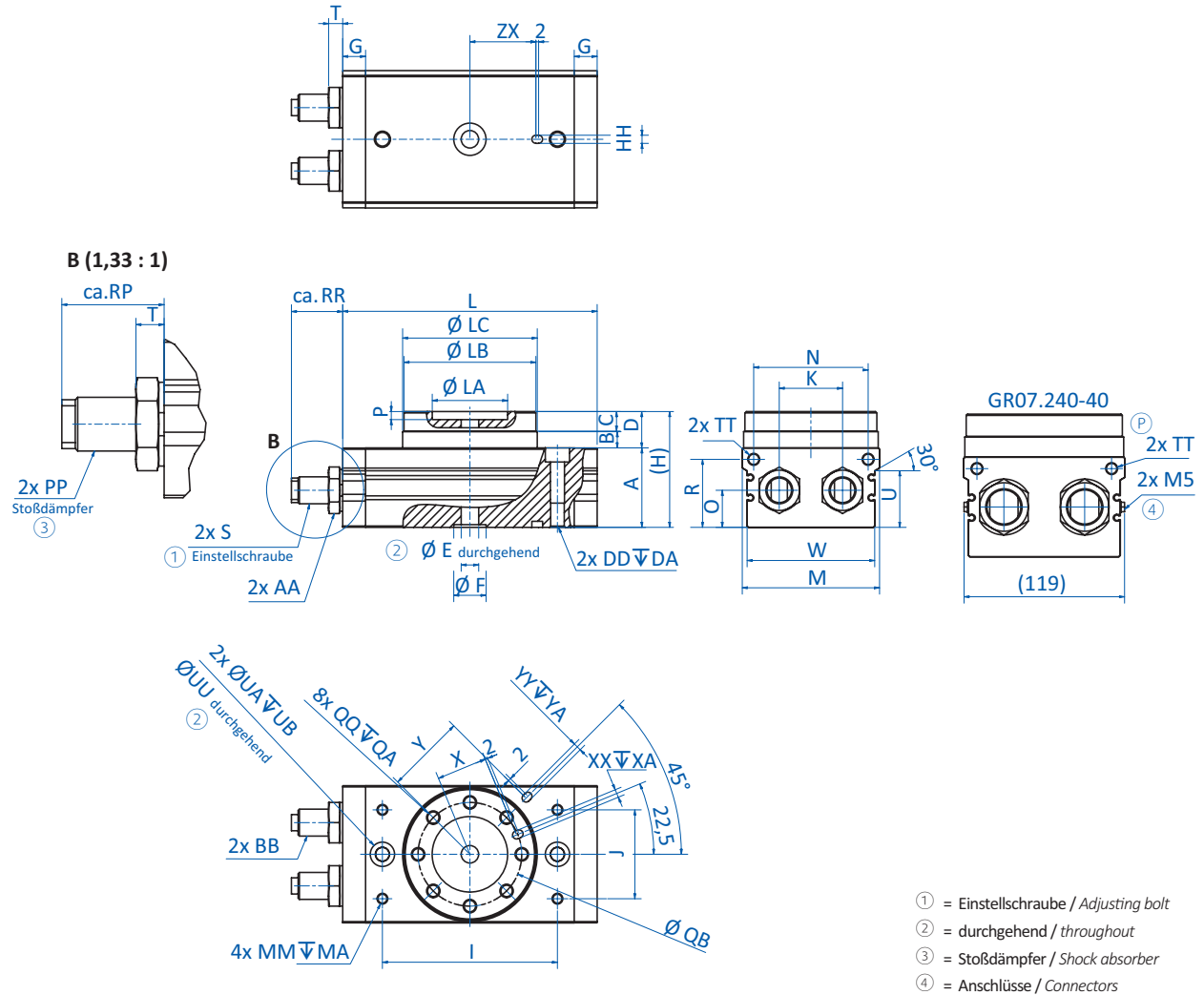
Code = Kolbendurchmesser / Piston diameter

GR07.240-16 | GR07.240-16R | GR07.240-20 | GR07.240-20R | GR07.240-25 | GR07.240-25R

Ⓟ = Compressed air connection



Dimensions



Code	A	AA	B	BB	C	D	DA	DD	E	F	G	H	HH	I	J	K	L	LA	LB	LC	M	MA
-32	59	30	12	Bolt width 12	14,5	27	18	M12×1,75	13	24H9	17	86	6H9×4,5 dp	130	66	47	189	56H9	98h9	100h9	102	10
-40	74	36	15	Bolt width 21	16,5	32	25	M16×2,0	24	32H9	24	106	8H9×6,5 dp	150	80	60	240	64H9	116h9	118h9	120	13

Code	MM	N	O	P	PP	QA	QB	QQ	R	RP	RR	S	T	TT	U	UA	UB	UU	W	X	XA
-32	M8×1,25	85	27,5	6	FK-2016L-S	14,5	77	M10×1,5	50,5	46	38,1	M20×1,5	10,5	G1/8	42	18	10,5	10,5	95	37,5	6,5
-40	M12×1,75	100	37	9	FK-2725L-S	16,5	90	M12×1,75	65,5	68	45	M27×1,5	7	G1/8	57	20	12,5	14,2	113	44	8,5

Code	XX	Y	YA	YY	ZX
-32	6H9	59	4,5	6H9	49
-40	8H9	69	4,5	8H9	54

Code = Kolbendurchmesser / Piston diameter

GR07.240-32 | GR07.240-32R | GR07.240-40 | GR07.240-40R

Ⓟ = Compressed air connection