



Vacuum gripping systems | Area gripper FSG

Area gripper with plug-in vacuum cups diameter 20 mm

Area gripper with plug-in vacuum cups diameter 20 mm



Product notes

- > For automated handling of individual products or product layers without changing grippers
- > Low noise emissions for a pleasant working environment
- > With built-in ejectors or with connection to central vacuum supply
- > With check valves or flow reduction
- > Plug-in cups can be changed easily and quickly
- > Area grippers with check valves are suitable for swivel/tilt movements up to less than 90°
- > Equipped with vacuum gauge 91.005 as standard

Technical data

Item no.	Valve type	Vacuum generation	Number of vacuum cups	Working pressure [bar (psi)]	Air consumption at 6 bar (87 psi) [Nl/min]	Suction power at 6 bar (87 psi) [Nl/min]	Nominal flow rate [Nl/min]	Suction force at nominal power [N]	Vacuum level [mbar (inHg)]	Weight [kg]	Dimensions		
											A [mm]	Ø G [mm]	H [mm]
FSG.VG130.295.5C02C2	Check valve	with integrated ejectors	53	4 - 6 (58 - 87)	200	700	--	253	-550 (-16.2)	3	295	--	--
FSG.VG130.434.5C02C2	Check valve	with integrated ejectors	83	4 - 6 (58 - 87)	200	700	--	396	-550 (-16.2)	3.8	434	--	--
FSG.VG130.572.5C02C3	Check valve	with integrated ejectors	113	4 - 6 (58 - 87)	300	1,050	--	539	-550 (-16.2)	4.5	572	--	--
FSG.VG130.711.5C02C4	Check valve	with integrated ejectors	143	4 - 6 (58 - 87)	400	1,400	--	682	-550 (-16.2)	5.3	711	--	--
FSG.VG130.849.5C02C4	Check valve	with integrated ejectors	173	4 - 6 (58 - 87)	400	1,400	--	825	-550 (-16.2)	6.2	849	--	--
FSG.VG130.988.5C02C5	Check valve	with integrated ejectors	203	4 - 6 (58 - 87)	500	1,750	--	968	-550 (-16.2)	7.2	988	--	--
FSG.VG130.1126.5C02C6	Check valve	with integrated ejectors	233	4 - 6 (58 - 87)	600	2,100	--	1,111	-550 (-16.2)	8.1	1,126	--	--
FSG.VG130.1265.5C02C6	Check valve	with integrated ejectors	263	4 - 6 (58 - 87)	600	2,100	--	1,254	-550 (-16.2)	8.9	1,265	--	--
FSG.PG130.295.5C02C2	Flow reduction	with integrated ejectors	53	4 - 6 (58 - 87)	200	700	--	253	-550 (-16.2)	3	295	--	--
FSG.PG130.434.5C02C2	Flow reduction	with integrated ejectors	83	4 - 6 (58 - 87)	200	700	--	396	-550 (-16.2)	3.8	434	--	--
FSG.PG130.572.5C02C3	Flow reduction	with integrated ejectors	113	4 - 6 (58 - 87)	300	1,050	--	539	-550 (-16.2)	4.5	572	--	--
FSG.PG130.711.5C02C4	Flow reduction	with integrated ejectors	143	4 - 6 (58 - 87)	400	1,400	--	682	-550 (-16.2)	5.3	711	--	--
FSG.PG130.849.5C02C4	Flow reduction	with integrated ejectors	173	4 - 6 (58 - 87)	400	1,400	--	825	-550 (-16.2)	6.2	849	--	--
FSG.PG130.988.5C02C5	Flow reduction	with integrated ejectors	203	4 - 6 (58 - 87)	500	1,750	--	968	-550 (-16.2)	7.2	988	--	--
FSG.PG130.1126.5C02C6	Flow reduction	with integrated ejectors	233	4 - 6 (58 - 87)	600	2,100	--	1,111	-550 (-16.2)	8.1	1,126	--	--



Technical data											Dimensions		
Item no.	Valve type	Vacuum generation	Number of vacuum cups	Working pressure [bar (psi)]	Air consumption at 6 bar (87 psi) [Nl/min]	Suction power at 6 bar (87 psi) [Nl/min]	Nominal flow rate [Nl/min]	Suction force at nominal power [N]	Vacuum level [mbar (inHg)]	Weight [kg]	A [mm]	Ø G [mm]	H [mm]
FSG.PG130.1265.5C02C6	Flow reduction	with integrated ejectors	263	4 - 6 (58 - 87)	600	2,100	--	1,254	-550 (-16.2)	8.9	1,265	--	--
FSG.VG130.295.5C02T	Check valve	central vacuum supply	53	--	--	--	150	138	-300 (-8.9)	2.8	295	32.5	54
FSG.VG130.434.5C02T	Check valve	central vacuum supply	83	--	--	--	300	216	-300 (-8.9)	3.8	434	32.5	54
FSG.VG130.572.5C02T	Check valve	central vacuum supply	113	--	--	--	400	294	-300 (-8.9)	4.3	572	32.5	54
FSG.VG130.711.5C02T	Check valve	central vacuum supply	143	--	--	--	510	372	-300 (-8.9)	5.1	711	60	49
FSG.VG130.849.5C02T	Check valve	central vacuum supply	173	--	--	--	600	450	-300 (-8.9)	6	849	60	49
FSG.VG130.988.5C02T	Check valve	central vacuum supply	203	--	--	--	750	528	-300 (-8.9)	7	988	60	49
FSG.VG130.1126.5C02T	Check valve	central vacuum supply	233	--	--	--	850	606	-300 (-8.9)	7.7	1,126	60	49
FSG.VG130.1265.5C02T	Check valve	central vacuum supply	263	--	--	--	950	684	-300 (-8.9)	8.5	1,265	60	49
FSG.PG130.295.5C02T	Flow reduction	central vacuum supply	53	--	--	--	150	138	-300 (-8.9)	2.8	295	32.5	54
FSG.PG130.434.5C02T	Flow reduction	central vacuum supply	83	--	--	--	300	216	-300 (-8.9)	3.8	434	32.5	54
FSG.PG130.572.5C02T	Flow reduction	central vacuum supply	113	--	--	--	400	294	-300 (-8.9)	4.3	572	32.5	54
FSG.PG130.711.5C02T	Flow reduction	central vacuum supply	143	--	--	--	510	372	-300 (-8.9)	5.1	711	60	49
FSG.PG130.849.5C02T	Flow reduction	central vacuum supply	173	--	--	--	600	450	-300 (-8.9)	6	849	60	49
FSG.PG130.988.5C02T	Flow reduction	central vacuum supply	203	--	--	--	750	528	-300 (-8.9)	7	988	60	49
FSG.PG130.1126.5C02T	Flow reduction	central vacuum supply	233	--	--	--	850	606	-300 (-8.9)	7.7	1,126	60	49
FSG.PG130.1265.5C02T	Flow reduction	central vacuum supply	263	--	--	--	950	684	-300 (-8.9)	8.5	1,265	60	49



Vacuum gripping systems | Area gripper FSG

Area gripper with plug-in vacuum cups diameter 20 mm

Optional accessories and spare parts

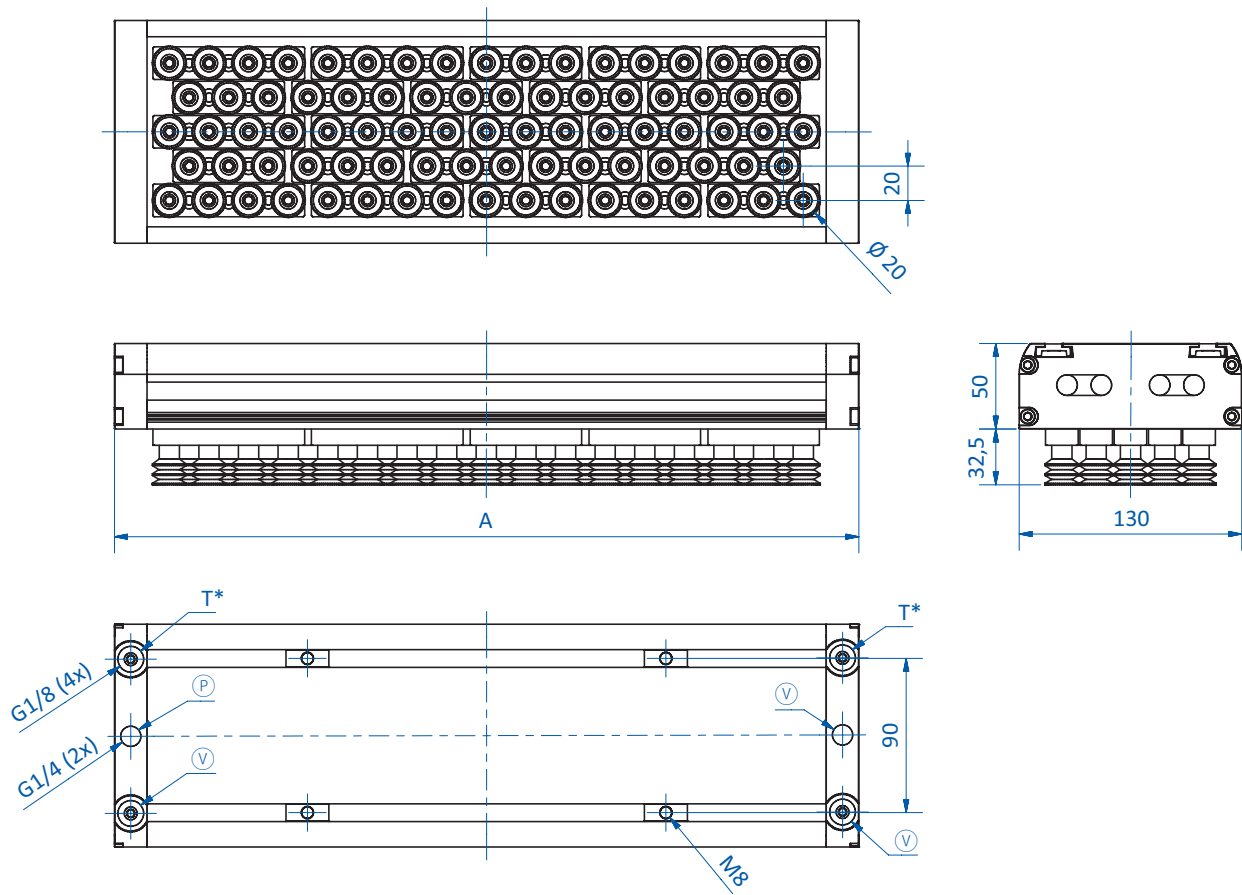
Optional accessories:

- > Electronic vacuum switch with display GS02.001
- > Electronic vacuum switch GS02.003
- > Electronic vacuum and pressure switch 20.026
- > Flange module for area gripper FSG.ACC130.0001
- > Slot nut 1x M8 for area gripper FSG.ACC130.0002
- > Optical sensor with sensor holder FSG.ACC130.000

Spare parts:

- > Replacement plug-in cup in silicone 55° Shore A 21.020.185.2
- > Ejector for area gripper FSG.ACC130.0003

Dimensions

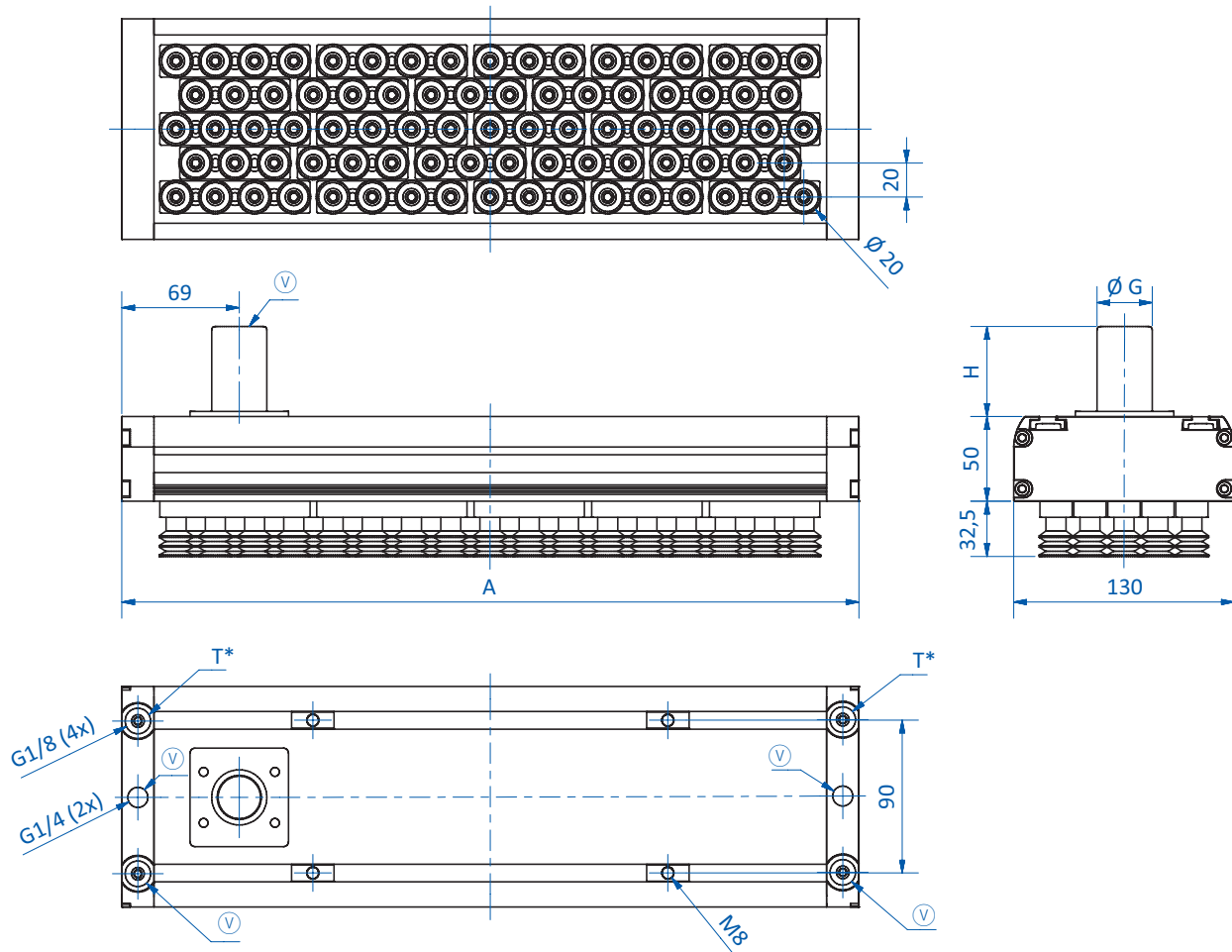


Vacuum generation with integrated ejectors

Ⓟ = Compressed air connection Ⓥ = Vacuum connection * = Transfer line



Dimensions



Vacuum generation via central vacuum supply

Ⓟ = Compressed air connection Ⓜ = Vacuum connection * = Transfer line