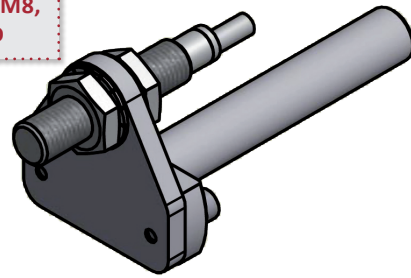




### Mounting brackets for reflective sensors



SUITABLE FOR SENSORS WITH M8, M12 OR M18 MALE THREAD



Application example with fitting GR06.050

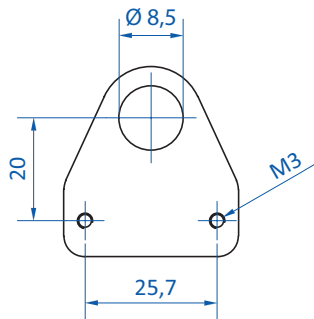
### Product notes

- > Mounting bracket for part control
- > Optional brackets with clamping shaft for mounting sensors to profiles

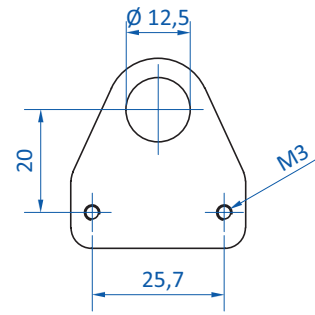
### Technical data

Item no.	Suitable for	Weight [g]	Suitable fittings
GR06.050S-M8	Common M8 sensors	9	GR06.050
GR06.050S-M12	Common M12 sensors	9	GR06.050
GR06.051S-M18	LT18OHT, LT18OHT/NPN, LT19, LT19/NPN	23	GR06.051

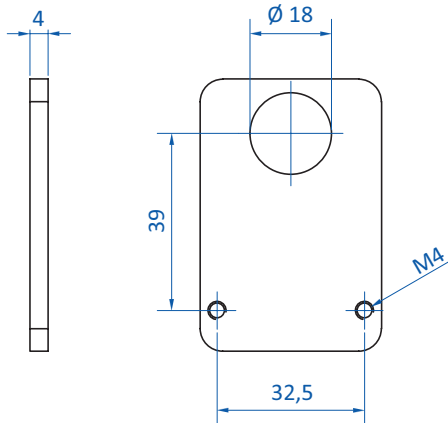
### Dimensions



GR06.050S-M8



GR06.050S-M12



GR06.051S-M18